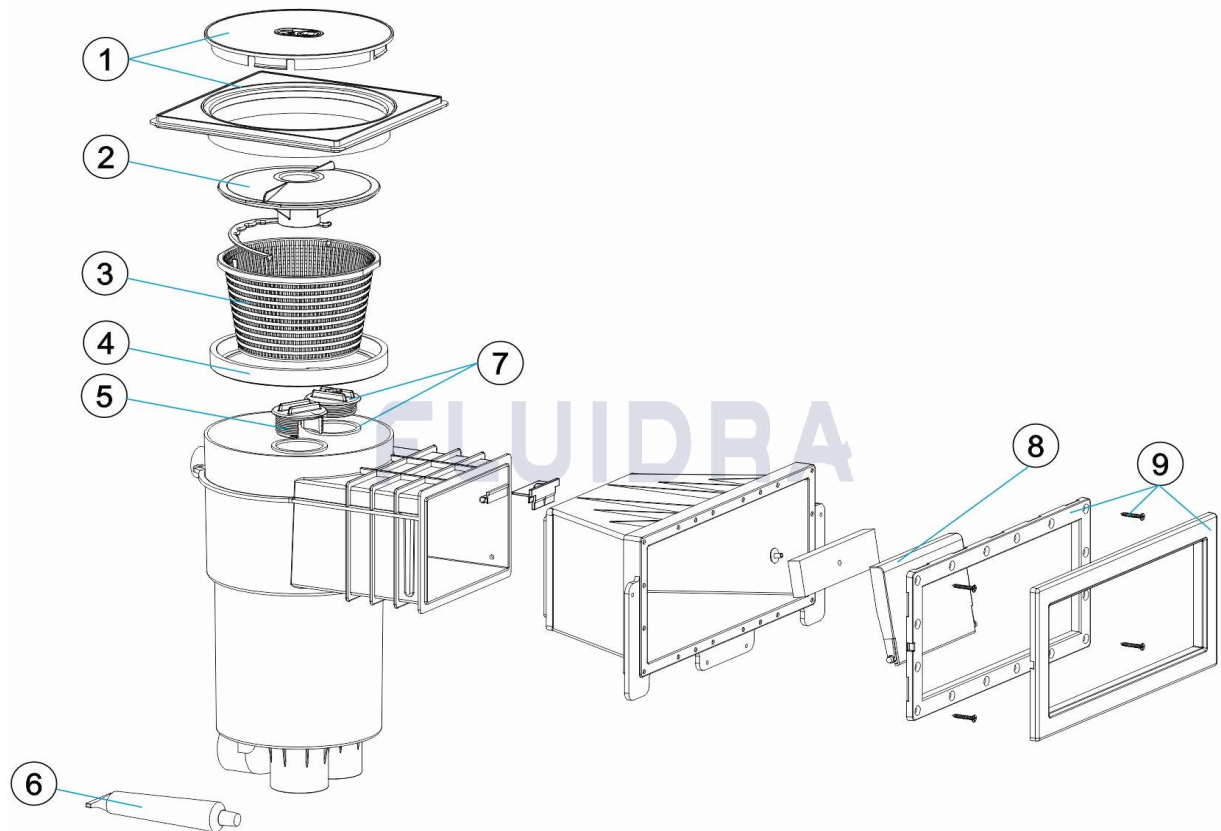
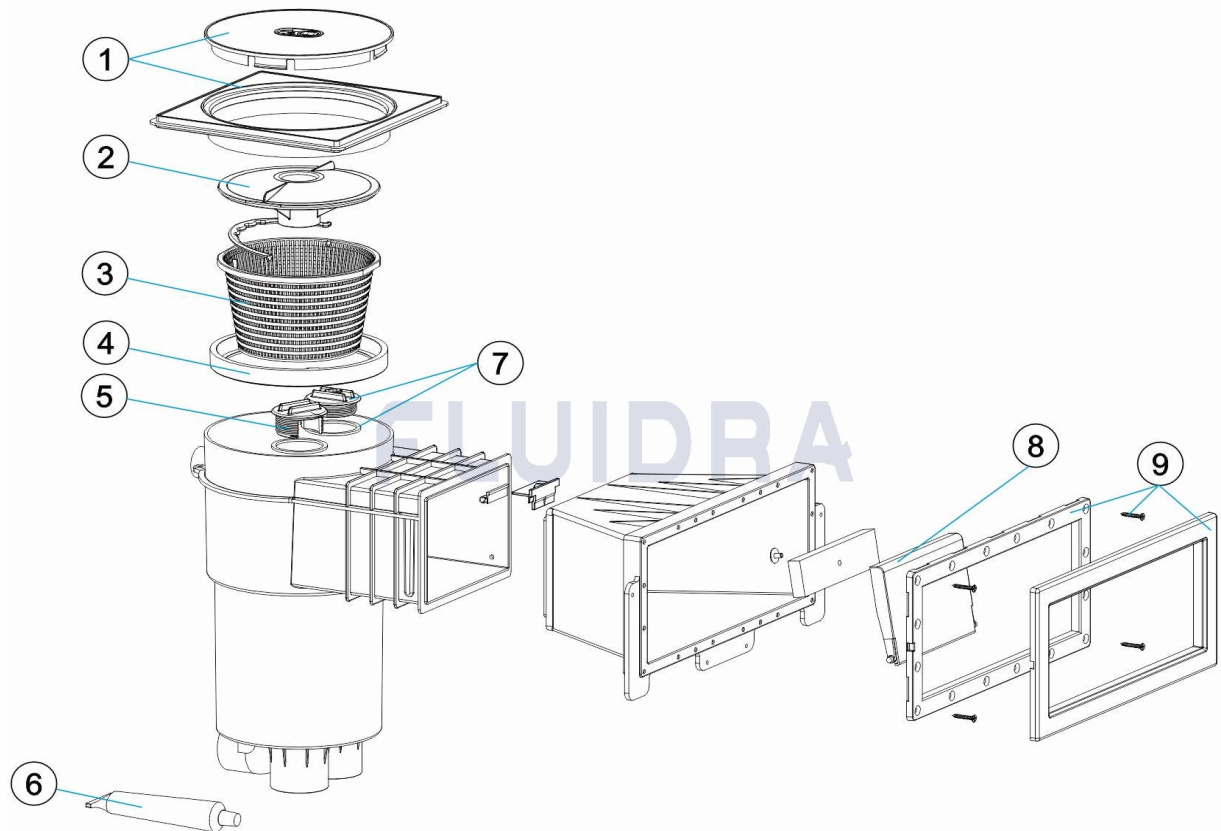


CODIGO **E-010**

 DESCRIPCION: **SKIMMER PISCINA HORMIGON**

ESPAÑOL

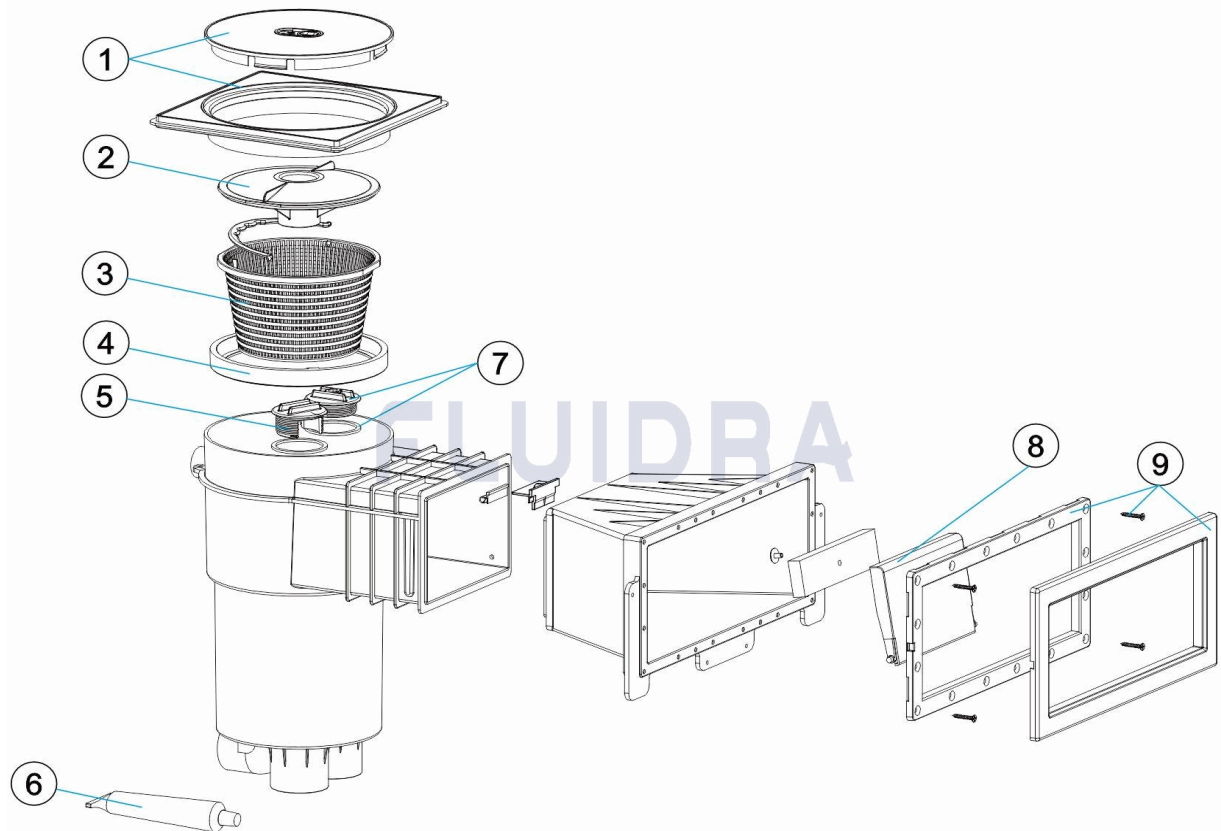
POS	CODIGO	DESCRIPCION	CANTIDAD	POS	CODIGO	DESCRIPCION	CANTIDAD
1	SP-02-0169	MARCO CON TAPA SKIMMER		6	30884	ADHESIVO PARA ABS	
2	SP-02-0018	TAPA CESTO SKIMMER		7	SP-02-0021	TAPON CON JUNTA	
3	SP-02-0019	CESTO SKIMMER 17,5 LTS.		8	SP-02-0102	COMPUERTA SKIMMER	
4	SP-02-0170	SOPORTE CESTO SKIMMER		9	SP-02-0103	MARCO BOCA SKIMMER PISC. PREF.	
5	SP-02-0020	TAPON REGULADOR					

CODE **E-010**

 DESCRIPTION: **SKIMMER PISCINE BÉTON**

FRANCAIS

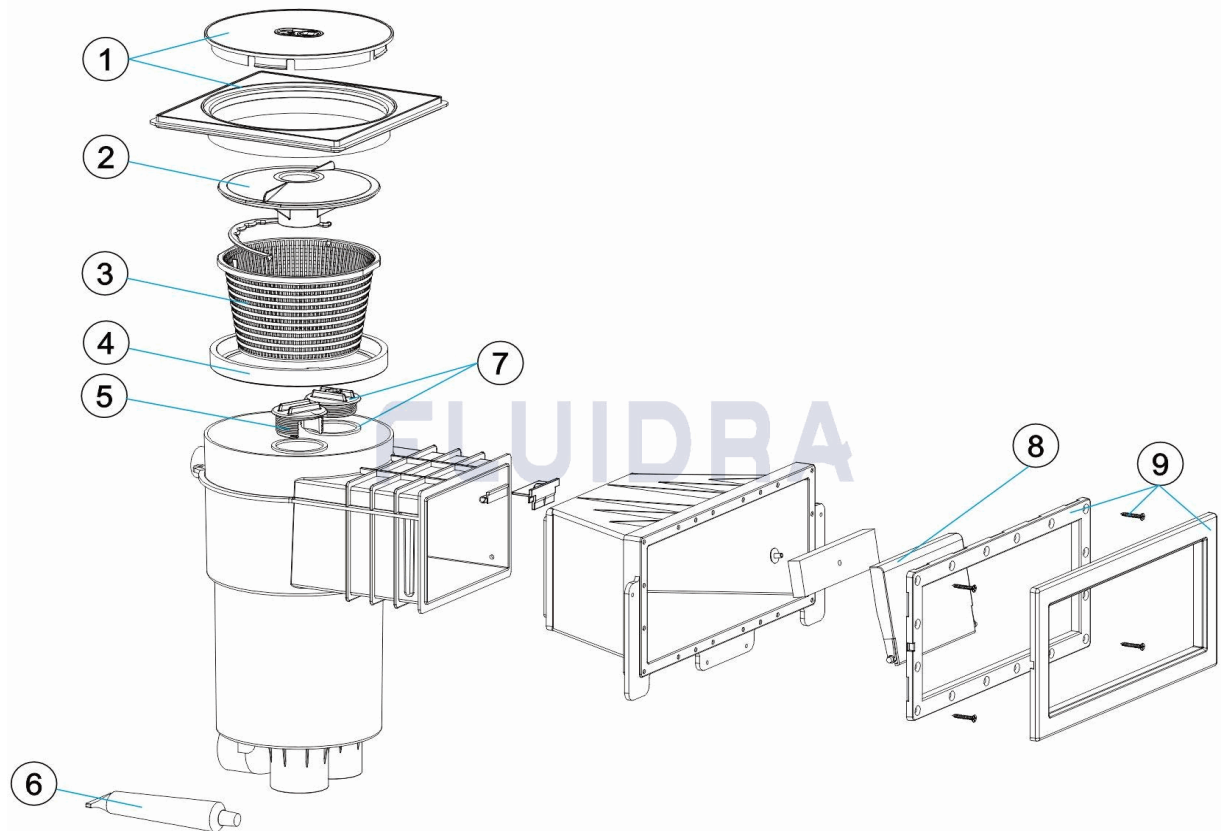
POS	CODE	DESCRIPTION	QUANTITE	POS	CODE	DESCRIPTION	QUANTITE
1	SP-02-0169	COUVERCLE ET CADRE DE SKIMMER		6	30884	ADHÉSIF POUR ABS	
2	SP-02-0018	COUVERCLE PANIER SKIMMER		7	SP-02-0021	BOUCHON SKIMMER AVEC JOINT	
3	SP-02-0019	PANIER SKIMMER 17,5 LTS		8	SP-02-0102	COLET DE SKIMMER	
4	SP-02-0170	SUPPORT PANIER SKIMMER		9	SP-02-0103	BRIDE ET CACHE VIS KIT LINER	
5	SP-02-0020	BOUCHON REGULATEUR					

CODE **E-010**

 DESCRIPTION: **SKIMMER CONCRETE POOL**

ENGLISH

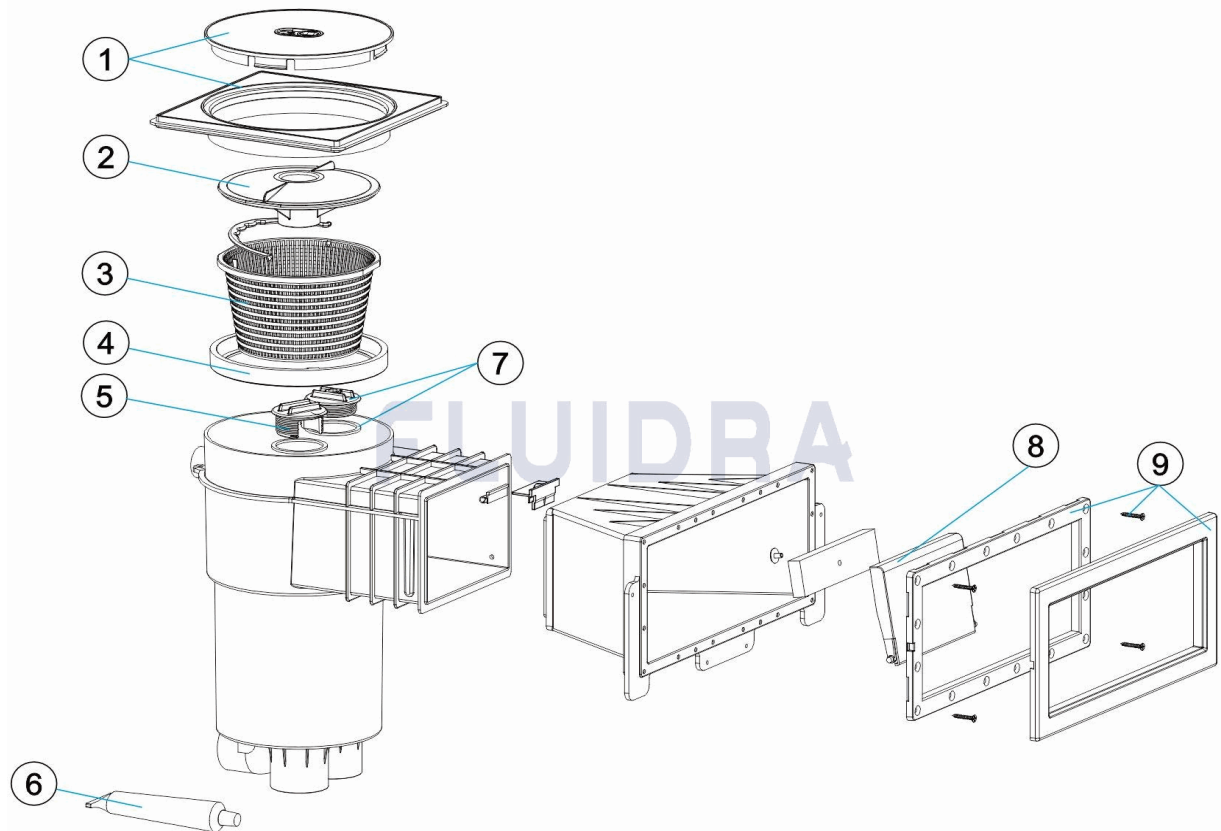
POS	CODE	DESCRIPTION	QUANTITY	POS	CODE	DESCRIPTION	QUANTITY
1	SP-02-0169	LID AND FRAME		6	30884	ADHESIVE FOR ABS	
2	SP-02-0018	VACUUM PLATE		7	SP-02-0021	BLANKING PLUG AND 'O' RING	
3	SP-02-0019	BASKET 17,5 LITRES		8	SP-02-0102	SKIMMER FLAP	
4	SP-02-0170	SKIMMER BASKET BRACKET		9	SP-02-0103	SKIMMER FRAME FOR LINER	
5	SP-02-0020	REGULATING PLUG					

CODICE **E-010**

 DESCRIZIONE: **SKIMMER PISCINA CEMENTO**

ITALIANO

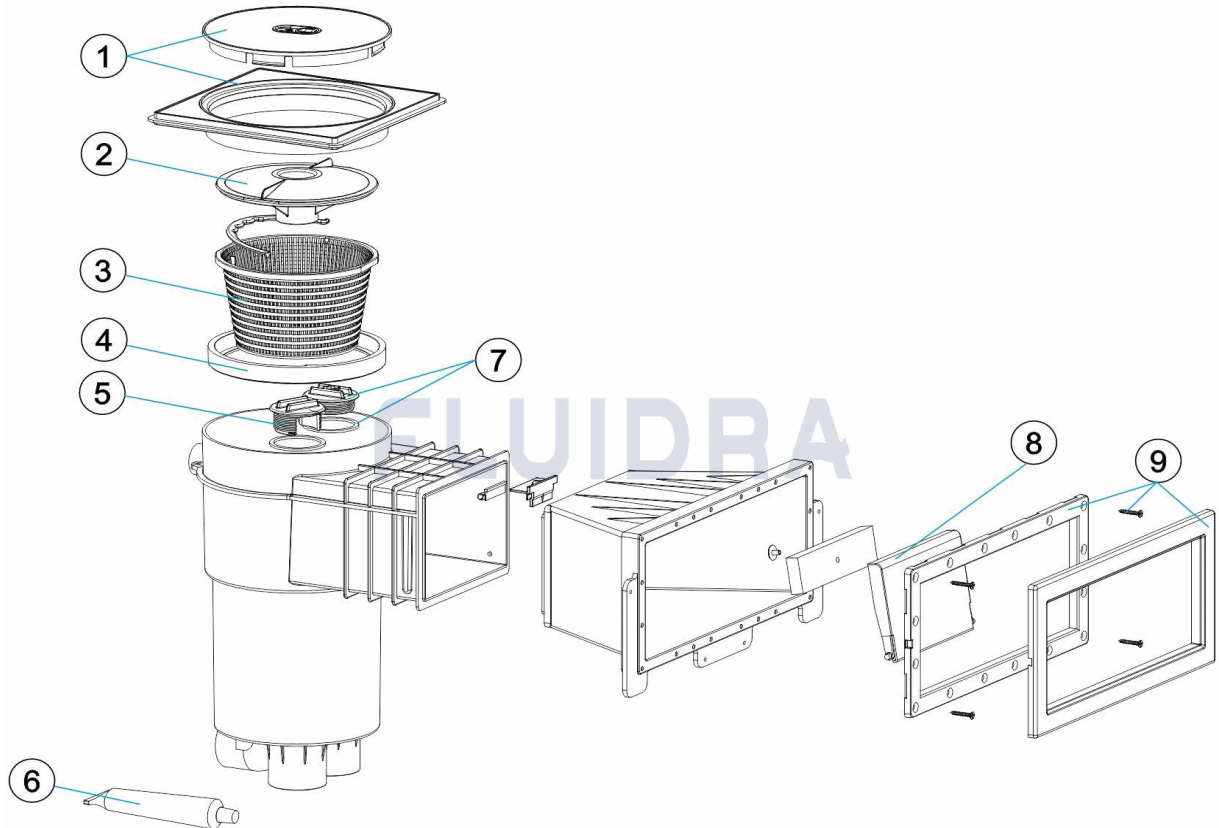
POS	CODICE	DESCRIZIONE	QUANTITA'	POS	CODICE	DESCRIZIONE	QUANTITA'
1	SP-02-0169	CORNICE CON COPERCHIO SKIMMER	6	30884	ADESIVO PER ABS		
2	SP-02-0018	COPERCHIO CESTELLO SKIMMER	7	SP-02-0021	TAPPO CON GUARNIZIONE		
3	SP-02-0019	CESTELLO SKIMMER DA 17,5 LITRI	8	SP-02-0102	BATTENTE SKIMMER		
4	SP-02-0170	SUPPORTO CESTELLO SKIMMER	9	SP-02-0103	FLANGIA BOCCA SKIMMER PER PISCINA IN		
5	SP-02-0020	TAPPO DI REGOLAZIONE					

CODE **E-010**

 BESCHREIBUNG: **SKIMMER BETONBECKEN**

DEUTSCH

POS	CODE	BESCHREIBUNG	MENGE	POS	CODE	BESCHREIBUNG	MENGE
1	SP-02-0169	RAHMEN MIT SKIMMERDECKEL		6	30884	AUFKLEBER ABS	
2	SP-02-0018	ABDECKUNG SKIMMKORB		7	SP-02-0021	STOPFEN UND DICHTUNG	
3	SP-02-0019	SKIMMERKORB 17,5 L		8	SP-02-0102	SKIMMERKLAPPE	
4	SP-02-0170	TERUNG SKIMMERKORB		9	SP-02-0103	RAHMEN SKIMMEREINLASS FERTIGBECKE	
5	SP-02-0020	STOPFEN REGULIERUNG					

CODIGO **E-010**

 DESCRIÇÃO: **SKIMMER PISCINA BETÃO**


PORTUGUES

POS	CODIGO	DESCRIÇÃO	JANTIDADE	POS	CODIGO	DESCRIÇÃO	JANTIDADE
1	SP-02-0169	ARO COM TAMPA SKIMMER		6	30884	ADESIVO PARA ABS	
2	SP-02-0018	TAMPA CESTO SKIMMER		7	SP-02-0021	TAMPA COM JUNTA	
3	SP-02-0019	CESTO SKIMMER 17,5 LTS		8	SP-02-0102	BATTENTE SKIMMER	
4	SP-02-0170	SUPORTE CESTO SKIMMER		9	SP-02-0103	CAIXILHO BOCA SKIMMER	
5	SP-02-0020	TAMPA REGULADORA					