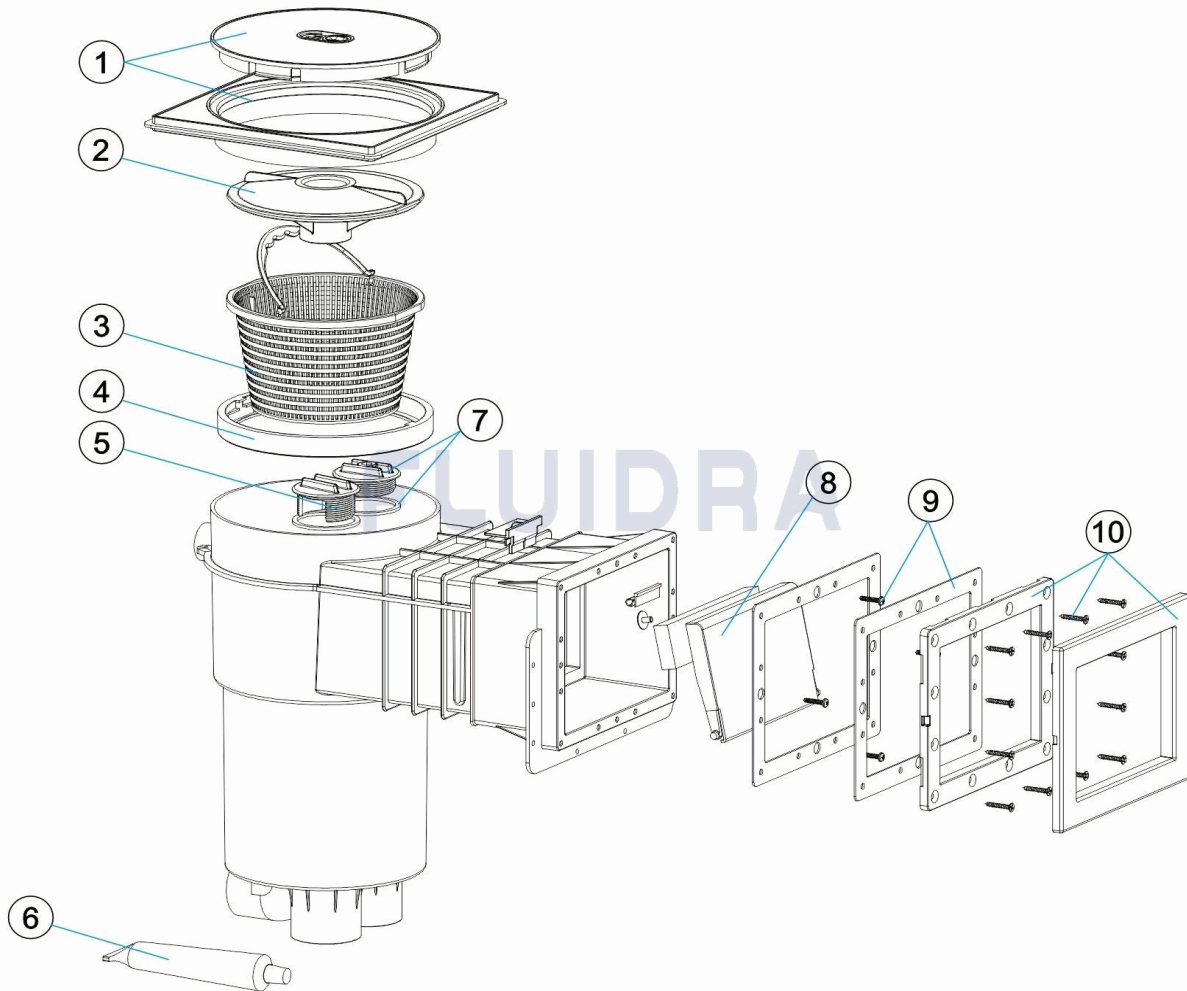
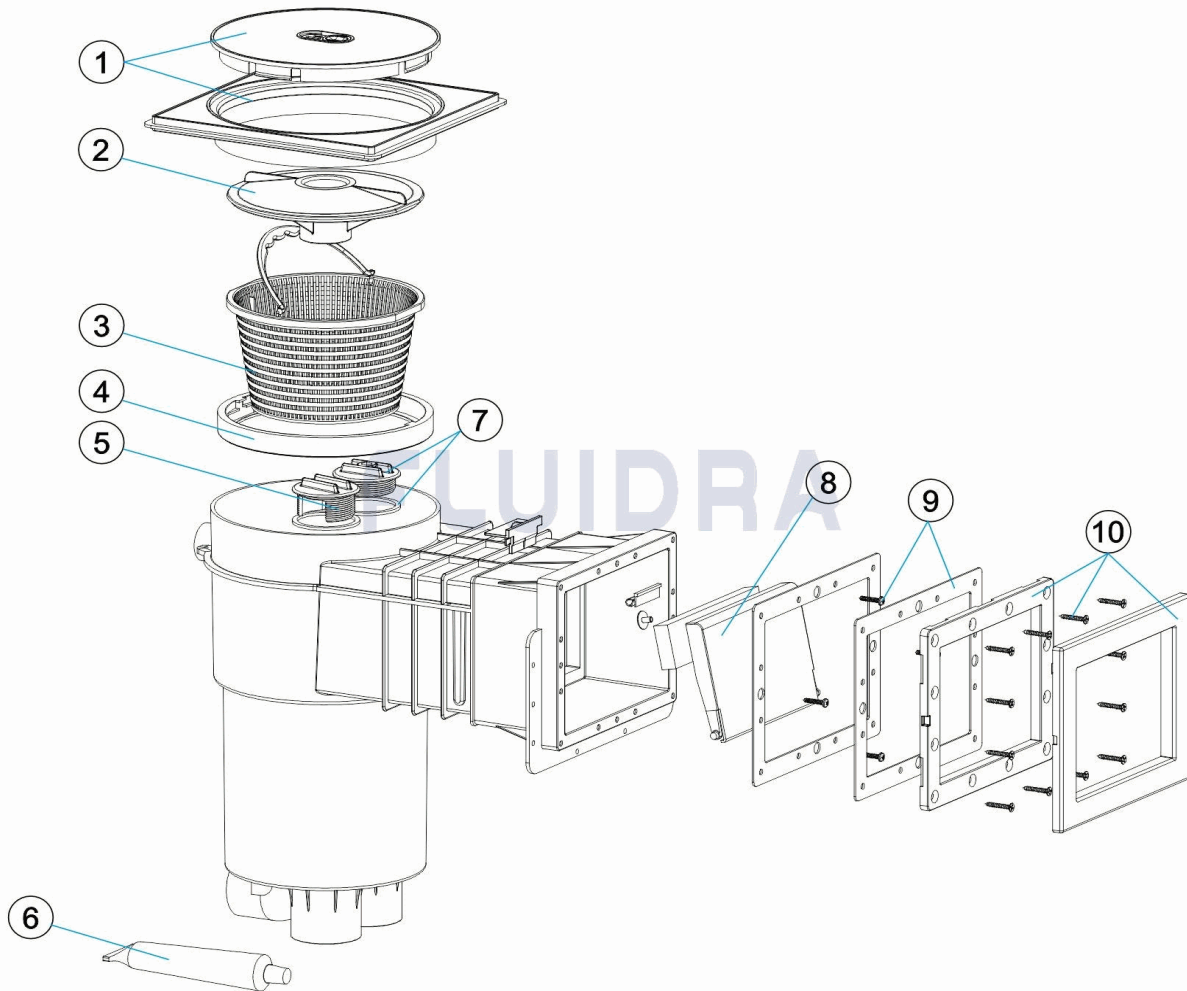


CODIGO **E-011-L**

 DESCRIPCION: **SKIMMER PISCINA LINER**

**ESPAÑOL**

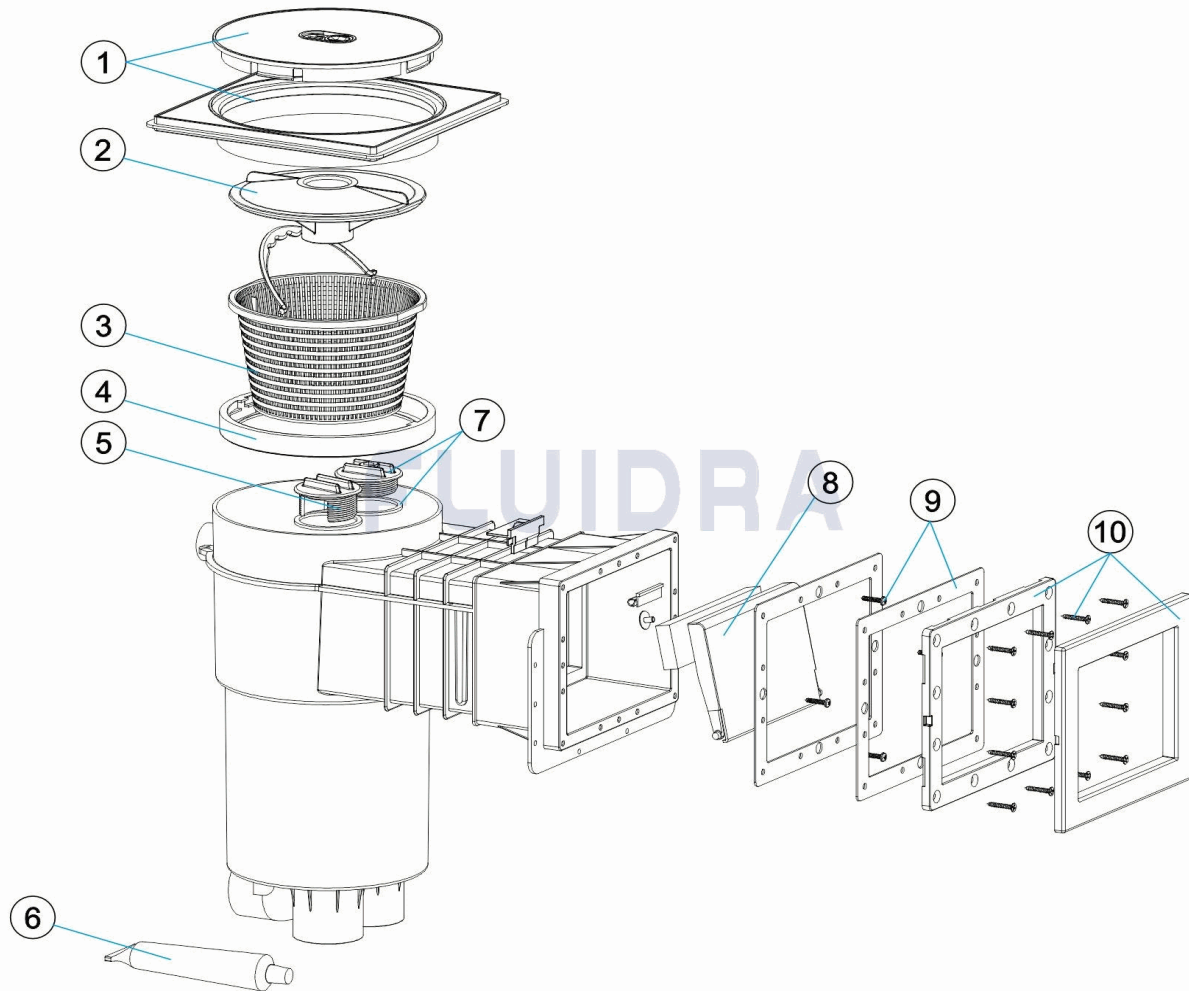
POS	CODIGO	DESCRIPCION	CANTIDAD	POS	CODIGO	DESCRIPCION	CANTIDAD
1	SP-02-0169	MARCO CON TAPA SKIMMER	6	30884	ADHESIVO PARA ABS		
2	SP-02-0018	TAPA CESTO SKIMMER	7	SP-02-0021	TAPON CON JUNTA		
3	SP-02-0019	CESTO SKIMMER 17,5 LTS.	8	SP-02-0102	COMPUERTA SKIMMER		
4	SP-02-0170	SOPORTE CESTO SKIMMER	9	SP-02-0172	JUNTA SKIMMER		
5	SP-02-0020	TAPON REGULADOR	10	SP-02-0171	EMBELLECEDOR CON BRIDA Y TORNILLOS		

CODE **E-011-L**

 DESCRIPTION: **SKIMMER PISCINE LINER**

**FRANCAIS**

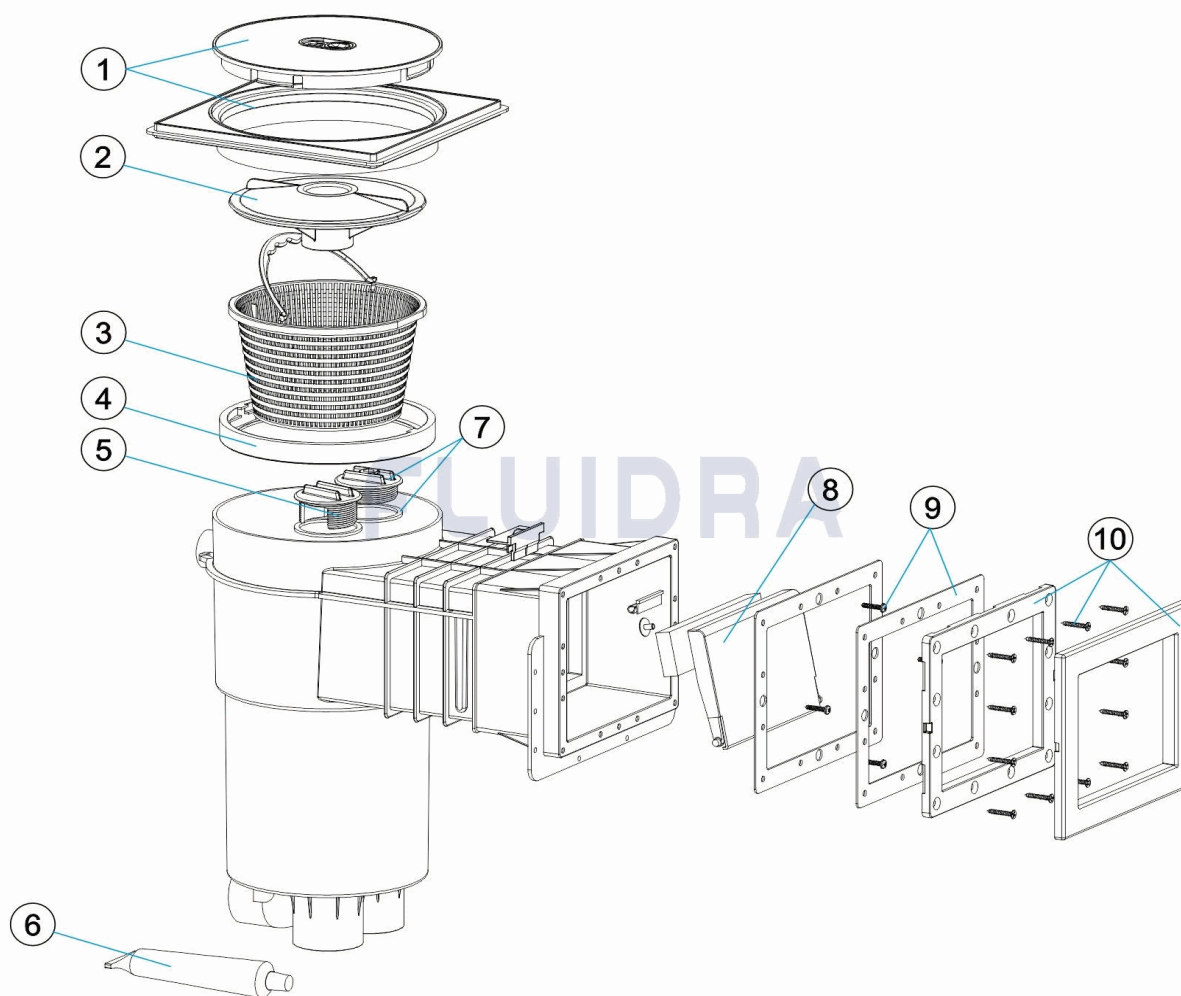
POS	CODE	DESCRIPTION	QUANTITE	POS	CODE	DESCRIPTION	QUANTITE
1	SP-02-0169	COUVERCLE ET CADRE DE SKIMMER	6	30884		ADHÉSIF POUR ABS	
2	SP-02-0018	COUVERCLE PANIER SKIMMER	7	SP-02-0021		BOUCHON SKIMMER AVEC JOINT	
3	SP-02-0019	PANIER SKIMMER 17,5 LTS	8	SP-02-0102		COLET DE SKIMMER	
4	SP-02-0170	SUPPORT PANIER SKIMMER	9	SP-02-0172		JOINT SKIMMER	
5	SP-02-0020	BOUCHON REGULATEUR	10	SP-02-0171		ENJOLIVEUR AVEC BRIDE ET VIS	

CODE **E-011-L**

 DESCRIPTION: **SKIMMER POOL LINER**

**ENGLISH**

POS	CODE	DESCRIPTION	QUANTITY	POS	CODE	DESCRIPTION	QUANTITY
1	SP-02-0169	LID AND FRAME		6	30884	ADHESIVE FOR ABS	
2	SP-02-0018	VACUUM PLATE		7	SP-02-0021	BLANKING PLUG AND 'O' RING	
3	SP-02-0019	BASKET 17,5 LITRES		8	SP-02-0102	SKIMMER FLAP	
4	SP-02-0170	SKIMMER BASKET BRACKET		9	SP-02-0172	SKIMMER GASKET	
5	SP-02-0020	REGULATING PLUG		10	SP-02-0171	TRIM WITH FLANGE AND SCREWS	

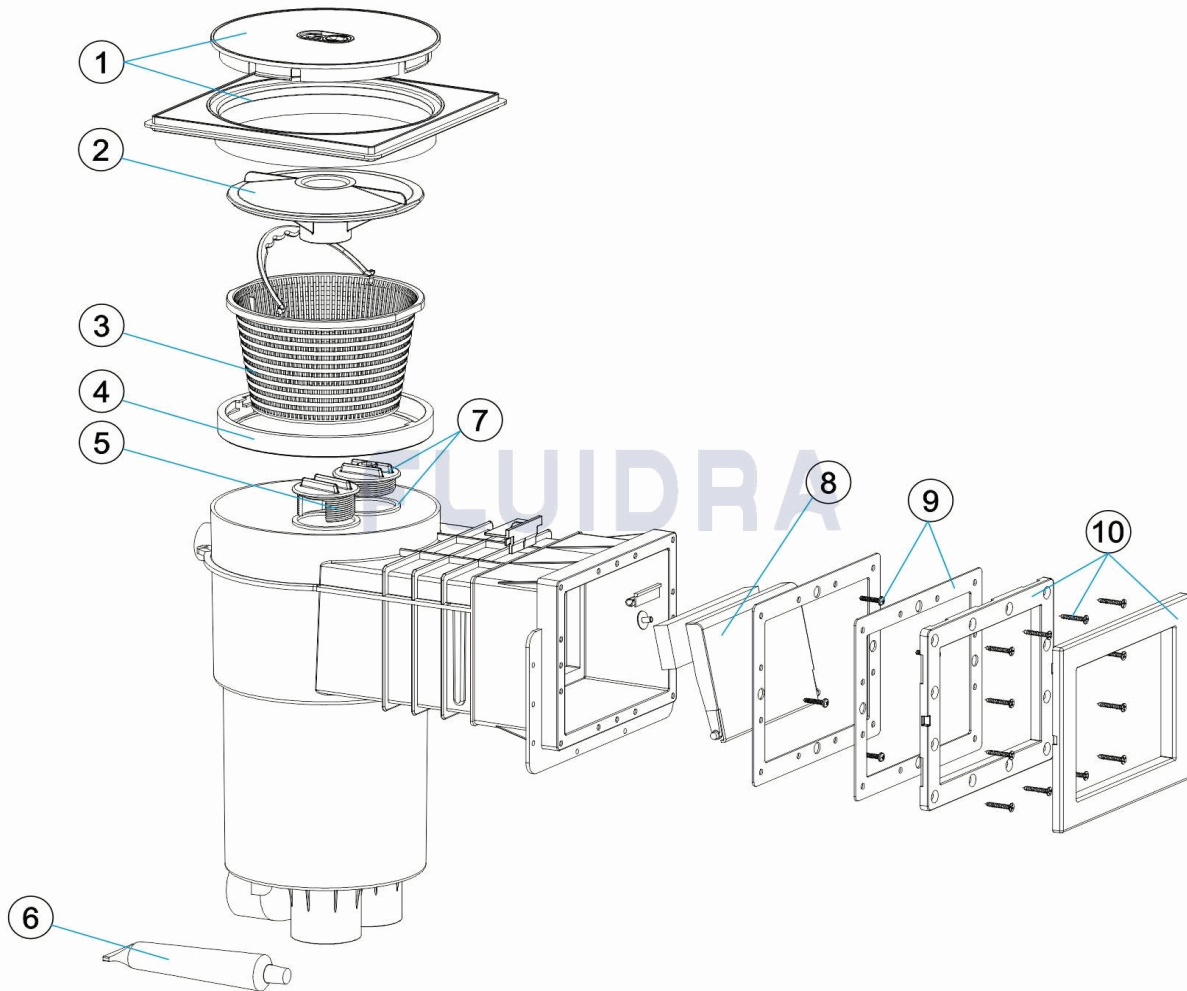
CODICE **E-011-L**

 DESCRIZIONE: **SKIMMER PISCINA LINER**

**ITALIANO**

POS	CODICE	DESCRIZIONE	QUANTITA'	POS	CODICE	DESCRIZIONE	QUANTITA'
1	SP-02-0169	CORNICE CON COPERCHIO SKIMMER	6	30884	ADESIVO PER ABS		
2	SP-02-0018	COPERCHIO CESTELLO SKIMMER	7	SP-02-0021	TAPPO CON GUARNIZIONE		
3	SP-02-0019	CESTELLO SKIMMER DA 17,5 LITRI	8	SP-02-0102	BATTENTE SKIMMER		
4	SP-02-0170	SUPPORTO CESTELLO SKIMMER	9	SP-02-0172	GUARNIZIONE SKIMMER		
5	SP-02-0020	TAPPO DI REGOLAZIONE	10	SP-02-0171	FLANGIA FINITURA CON CONTROFLANGIA		

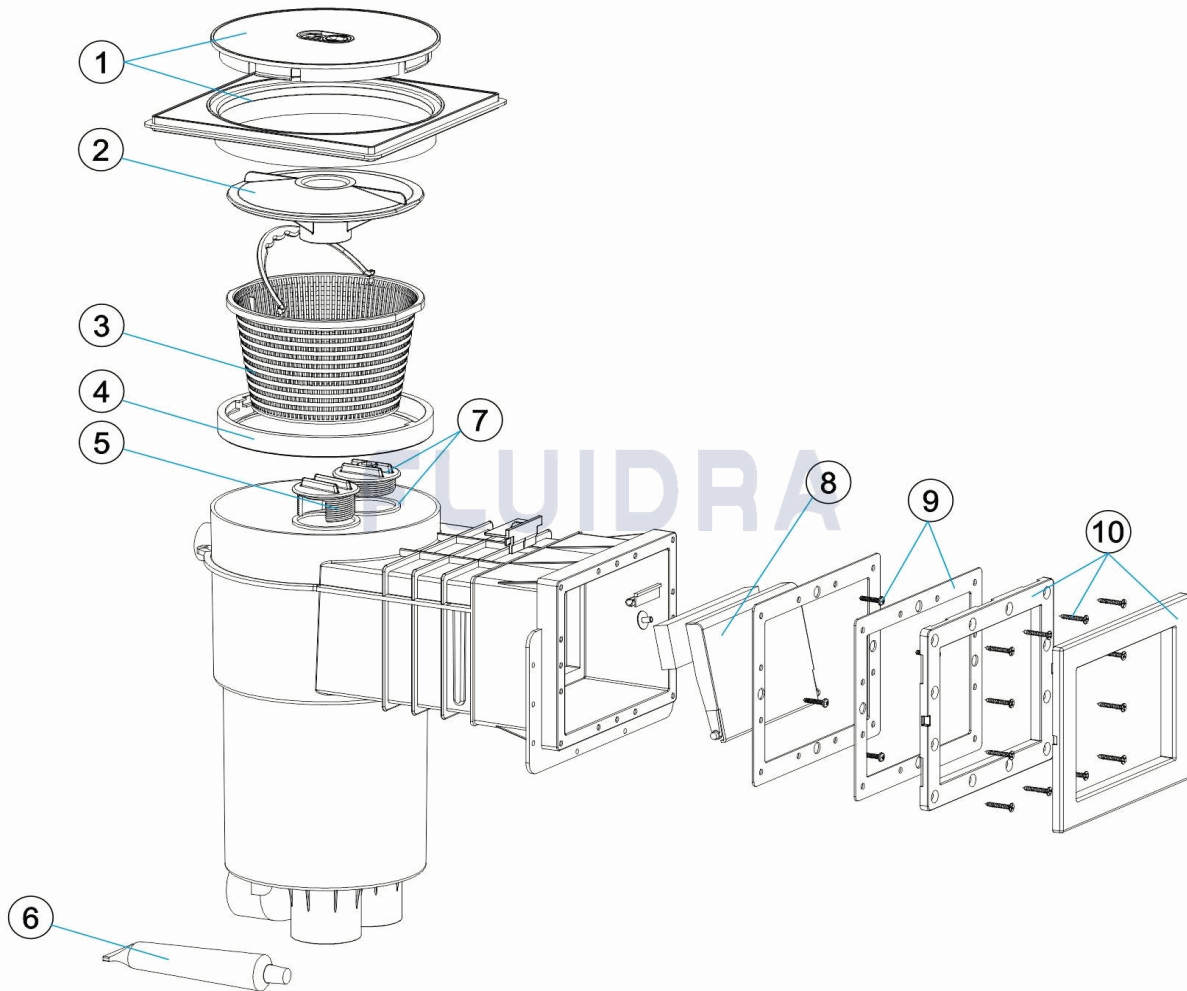
CODE

**E-011-L**

 BESCHREIBUNG: **SKIMMER FOLIENBECKEN**

**DEUTSCH**

POS	CODE	BESCHREIBUNG	MENGE	POS	CODE	BESCHREIBUNG	MENGE
1	SP-02-0169	RAHMEN MIT SKIMMERDECKEL	6	30884		AUFKLEBER ABS	
2	SP-02-0018	ABDECKUNG SKIMMKORB	7	SP-02-0021		STOPFEN UND DICHUNG	
3	SP-02-0019	SKIMMERKORB 17,5 L	8	SP-02-0102		SKIMMERKLAPPE	
4	SP-02-0170	TERUNG SKIMMERKORB	9	SP-02-0172		DICHUNG SKIMMER	
5	SP-02-0020	STOPFEN REGULIERUNG	10	SP-02-0171		BLENDE MIT FLANSCH UND SCHRAUBEN	

CODIGO **E-011-L**

 DESCRIÇÃO: **SKIMMER PISCINA LINER**

**PORTUGUES**

POS	CODIGO	DESCRIÇÃO	JANTIDADE	POS	CODIGO	DESCRIÇÃO	JANTIDADE
1	SP-02-0169	ARO COM TAMPA SKIMMER	6	30884	ADESIVO PARA ABS		
2	SP-02-0018	TAMPA CESTO SKIMMER	7	SP-02-0021	TAMPA COM JUNTA		
3	SP-02-0019	CESTO SKIMMER 17,5 LTS	8	SP-02-0102	BATTENTE SKIMMER		
4	SP-02-0170	SUPORTE CESTO SKIMMER	9	SP-02-0172	JUNTA SKIMMER		
5	SP-02-0020	TAMPA REGULADORA	10	SP-02-0171	EMBEZADOR COM BRIDA E PARAFUSOS		