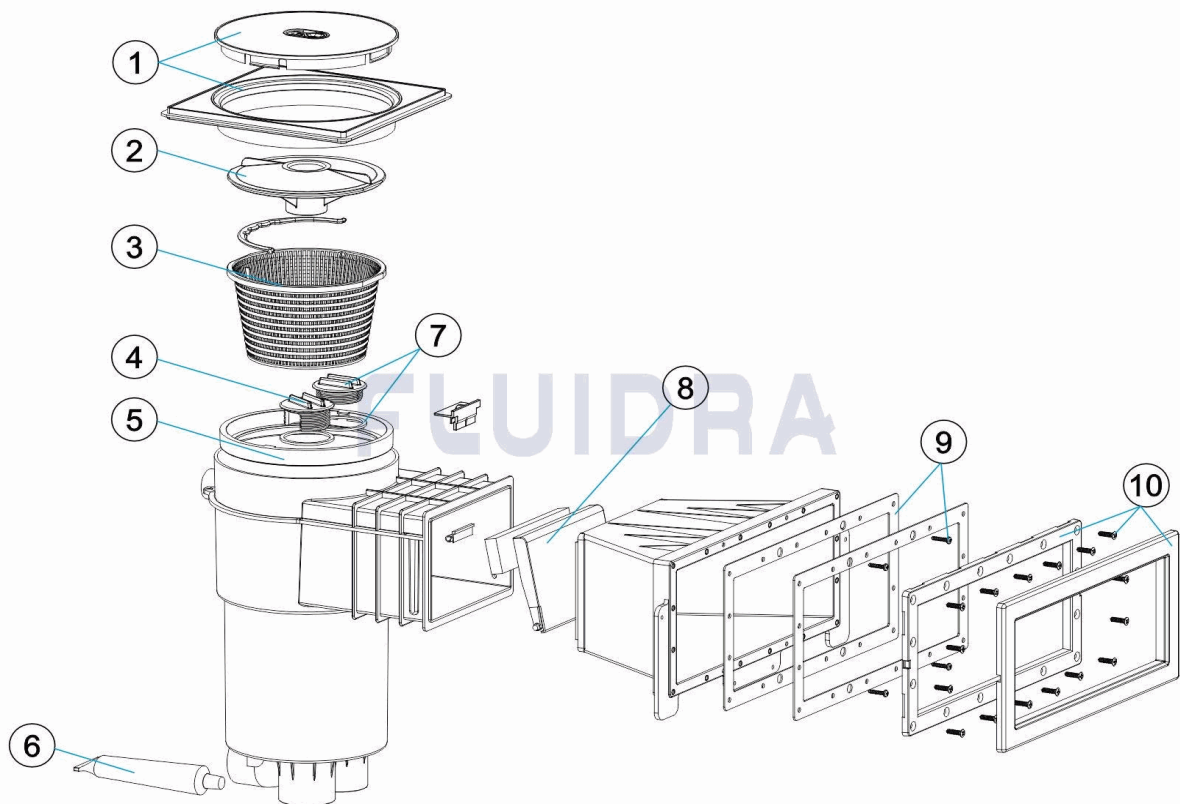


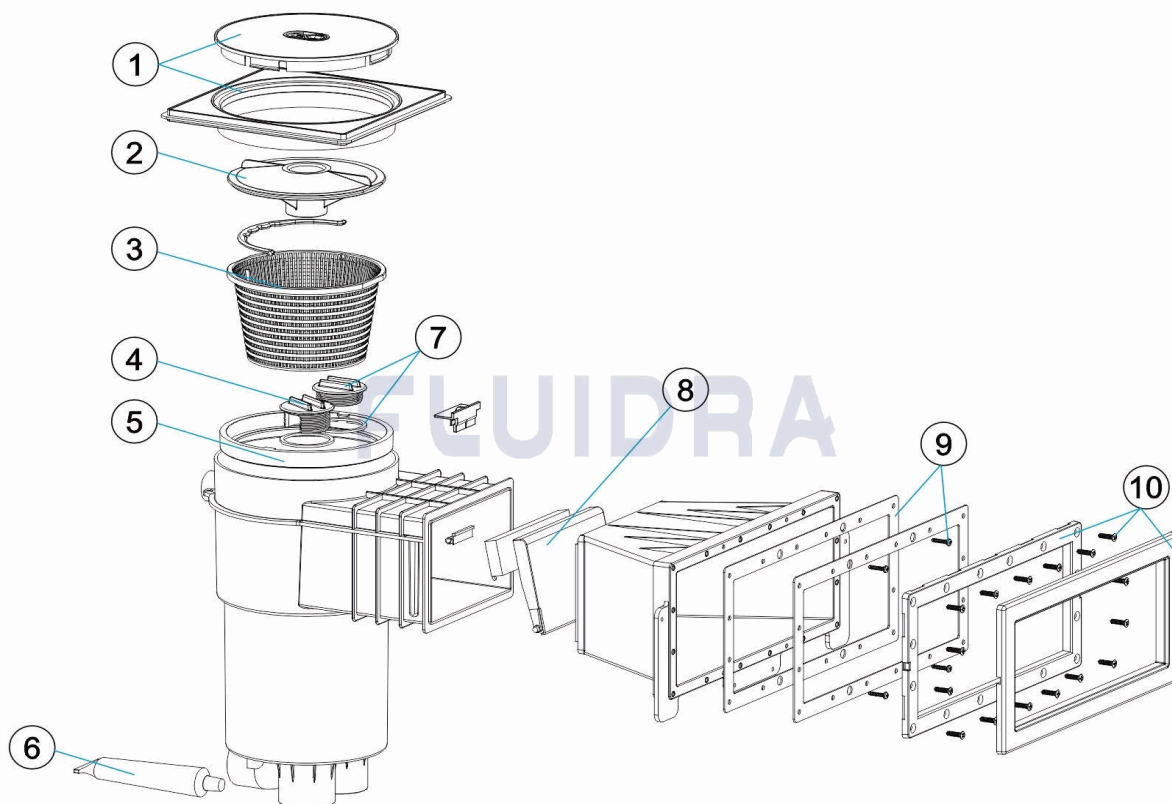
CODIGO **E-012-L-ESP**

 DESCRIPCION: **SUPER SKIMMER PISCINA LINER**


### ESPAÑOL

POS	CODIGO	DESCRIPCION	CANTIDAD	POS	CODIGO	DESCRIPCION	CANTIDAD
1	SP-02-0169	MARCO CON TAPA SKIMMER	6	30884	ADHESIVO PARA ABS		
2	SP-02-0018	TAPA CESTO SKIMMER	7	SP-02-0021	TAPON CON JUNTA		
3	SP-02-0019	CESTO SKIMMER 17,5 LTS.	8	SP-02-0102	COMPUERTA SKIMMER		
4	SP-02-0020	TAPON REGULADOR	9	SP-02-0174	JUNTA SKIMMER		
5	SP-02-0170	SOPORTE CESTO SKIMMER	10	SP-02-0175	EMBELLECEDOR CON BRIDA Y TORNILLOS		

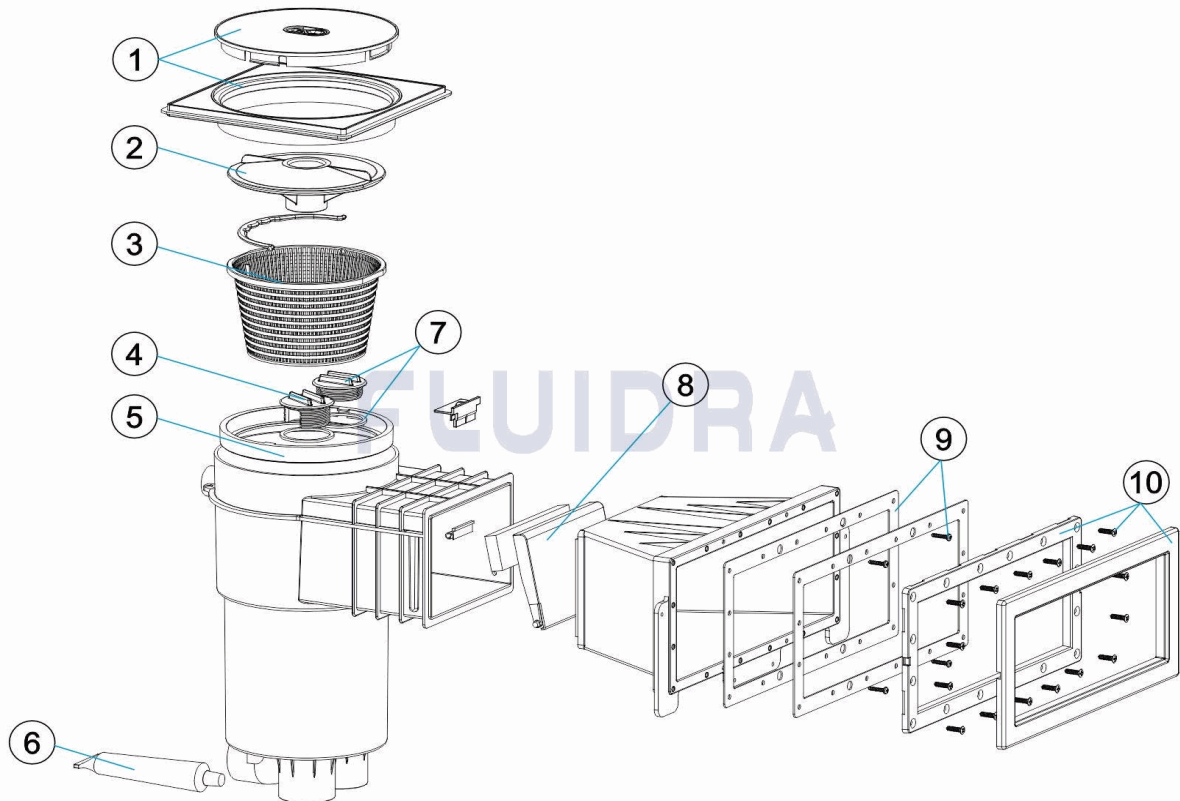
CODE **E-012-L-ESP**

 DESCRIPTION: **SUPER SKIMMER PISCINE LINER**


## FRANCAIS

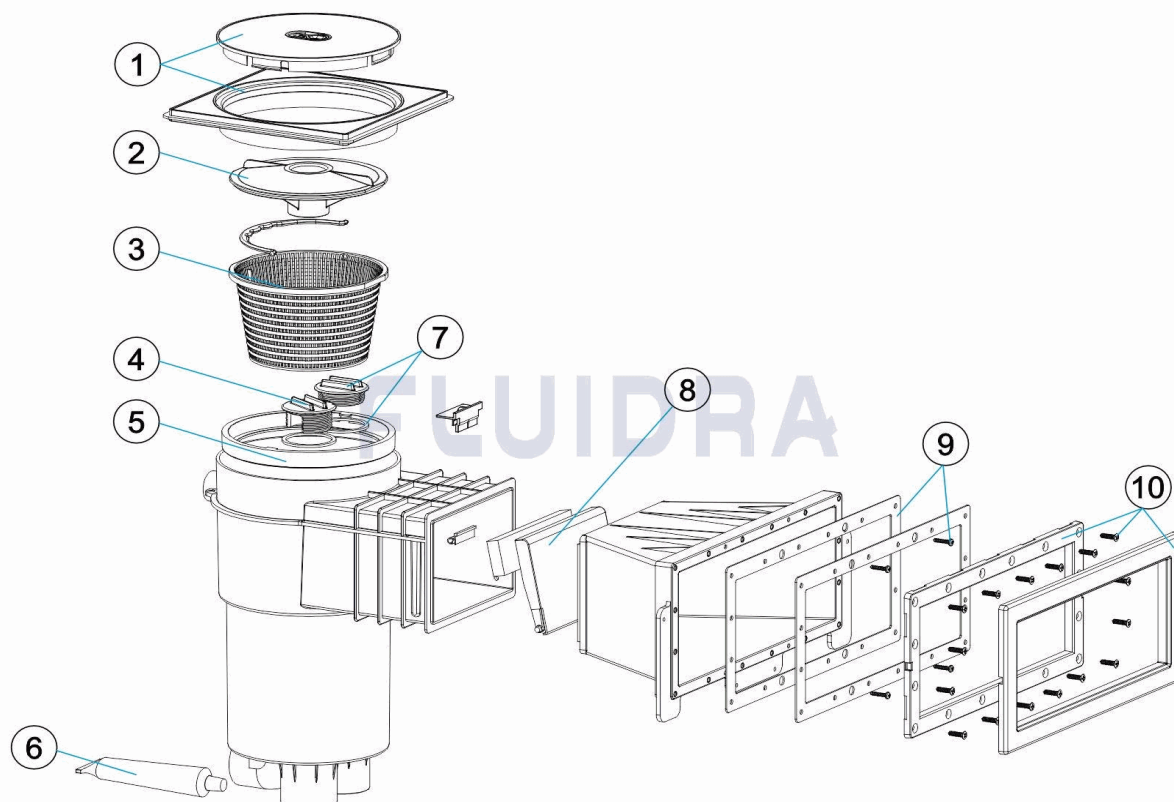
POS	CODE	DESCRIPTION	QUANTITE	POS	CODE	DESCRIPTION	QUANTITE
1	SP-02-0169	COUVERCLE ET CADRE DE SKIMMER	6	30884	ADHÉSIF POUR ABS		
2	SP-02-0018	COUVERCLE PANIER SKIMMER	7	SP-02-0021	BOUCHON SKIMMER AVEC JOINT		
3	SP-02-0019	PANIER SKIMMER 17,5 LTS	8	SP-02-0102	COLET DE SKIMMER		
4	SP-02-0020	BOUCHON REGULATEUR	9	SP-02-0174	JOINT SKIMMER		
5	SP-02-0170	SUPPORT PANIER SKIMMER	10	SP-02-0175	ENJOLIVEUR AVEC BRIDE ET VIS		

CODE **E-012-L-ESP**

 DESCRIPTION: **SUPER SKIMMER POOL LINER**

**ENGLISH**

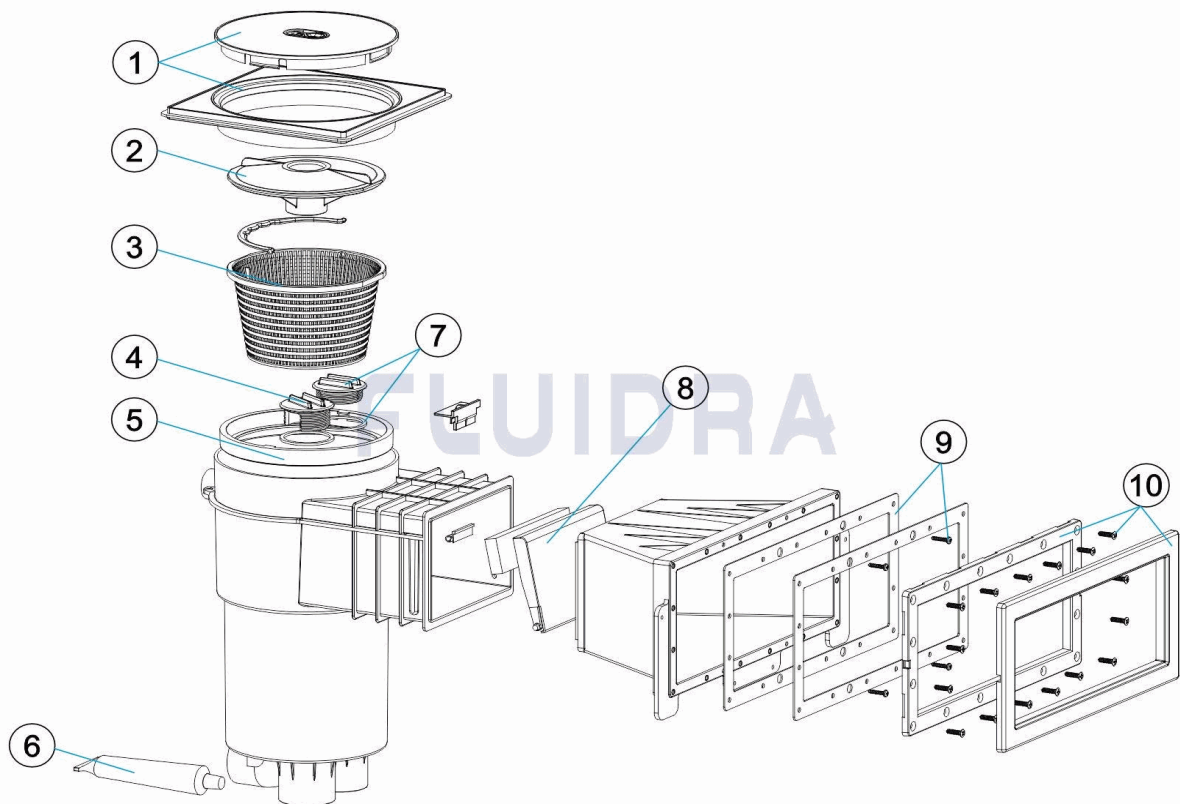
POS	CODE	DESCRIPTION	QUANTITY	POS	CODE	DESCRIPTION	QUANTITY
1	SP-02-0169	LID AND FRAME		6	30884	ADHESIVE FOR ABS	
2	SP-02-0018	VACUUM PLATE		7	SP-02-0021	BLANKING PLUG AND 'O' RING	
3	SP-02-0019	BASKET 17,5 LITRES		8	SP-02-0102	SKIMMER FLAP	
4	SP-02-0020	REGULATING PLUG		9	SP-02-0174	SKIMMER GASKET	
5	SP-02-0170	SKIMMER BASKET BRACKET		10	SP-02-0175	TRIM WITH FLANGE AND SCREWS	

CODICE **E-012-L-ESP**

 DESCRIZIONE: **SUPER SKIMMER PISCINA LINER**

**ITALIANO**

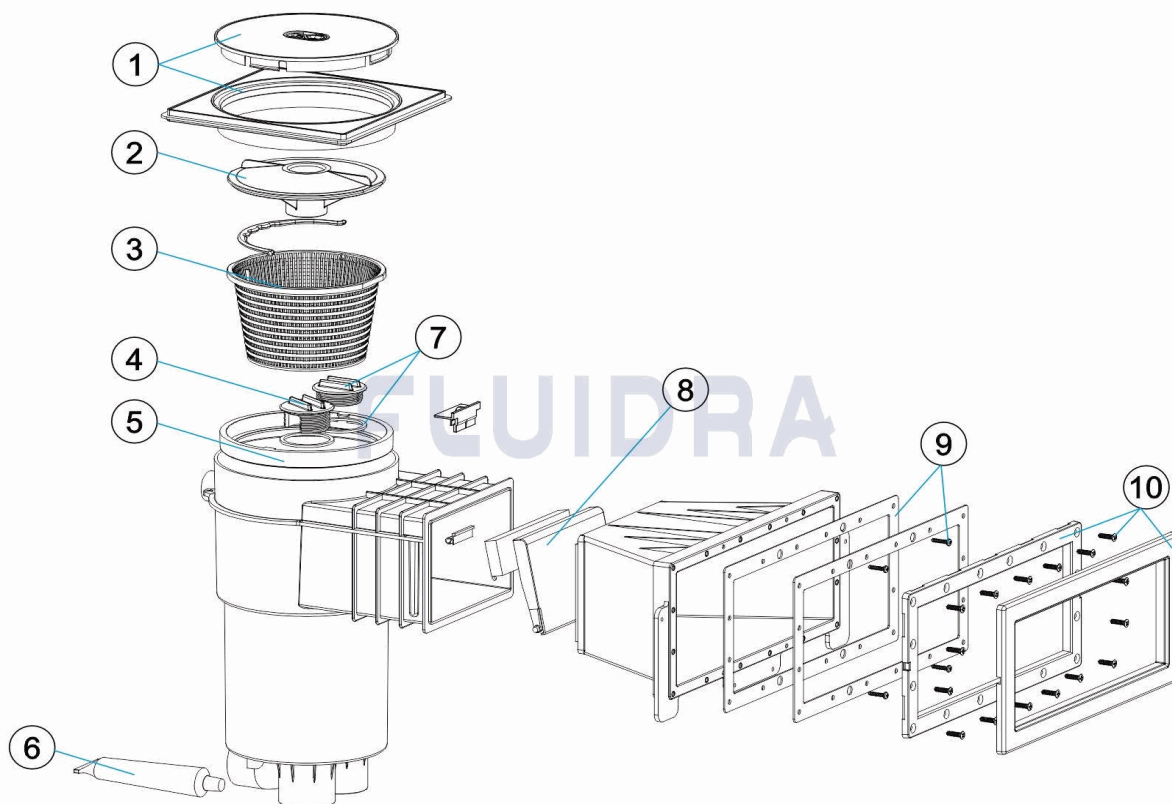
POS	CODICE	DESCRIZIONE	QUANTITA'	POS	CODICE	DESCRIZIONE	QUANTITA'
1	SP-02-0169	CORNICE CON COPERCHIO SKIMMER	6	30884	ADESIVO PER ABS		
2	SP-02-0018	COPERCHIO CESTELLO SKIMMER	7	SP-02-0021	TAPPO CON GUARNIZIONE		
3	SP-02-0019	CESTELLO SKIMMER DA 17,5 LITRI	8	SP-02-0102	BATTENTE SKIMMER		
4	SP-02-0020	TAPPO DI REGOLAZIONE	9	SP-02-0174	GUARNIZIONE SKIMMER		
5	SP-02-0170	SUPPORTO CESTELLO SKIMMER	10	SP-02-0175	ELEMENTO ORNAMENTALE CON FLANGIA		

CODE **E-012-L-ESP**

 BESCHREIBUNG: **SUPER SKIMMER FOLIENBECKEN**

**DEUTSCH**

POS	CODE	BESCHREIBUNG	MENGE	POS	CODE	BESCHREIBUNG	MENGE
1	SP-02-0169	RAHMEN MIT SKIMMERDECKEL	6	30884		AUFKLEBER ABS	
2	SP-02-0018	ABDECKUNG SKIMMKORB	7	SP-02-0021		STOPFEN UND DICHTUNG	
3	SP-02-0019	SKIMMERKORB 17,5 L	8	SP-02-0102		SKIMMERKLAPPE	
4	SP-02-0020	STOPFEN REGULIERUNG	9	SP-02-0174		DICHTUNG SKIMMER	
5	SP-02-0170	TERUNG SKIMMERKORB	10	SP-02-0175		BLENDE MIT FLANSCH UND SCHRAUBEN	

CODIGO **E-012-L-ESP**

 DESCRIÇÃO: **SUPER SKIMMER PISCINA LINER**


### PORTUGUES

POS	CODIGO	DESCRIÇÃO	JANTIDADE	POS	CODIGO	DESCRIÇÃO	JANTIDADE
1	SP-02-0169	ARO COM TAMPA SKIMMER	6	30884	ADESIVO PARA ABS		
2	SP-02-0018	TAMPA CESTO SKIMMER	7	SP-02-0021	TAMPA COM JUNTA		
3	SP-02-0019	CESTO SKIMMER 17,5 LTS	8	SP-02-0102	BATTENTE SKIMMER		
4	SP-02-0020	TAMPA REGULADORA	9	SP-02-0174	JUNTA SKIMMER		
5	SP-02-0170	SUPORTE CESTO SKIMMER	10	SP-02-0175	EMBELEZADOR COM MANILHA E PARAFUS		