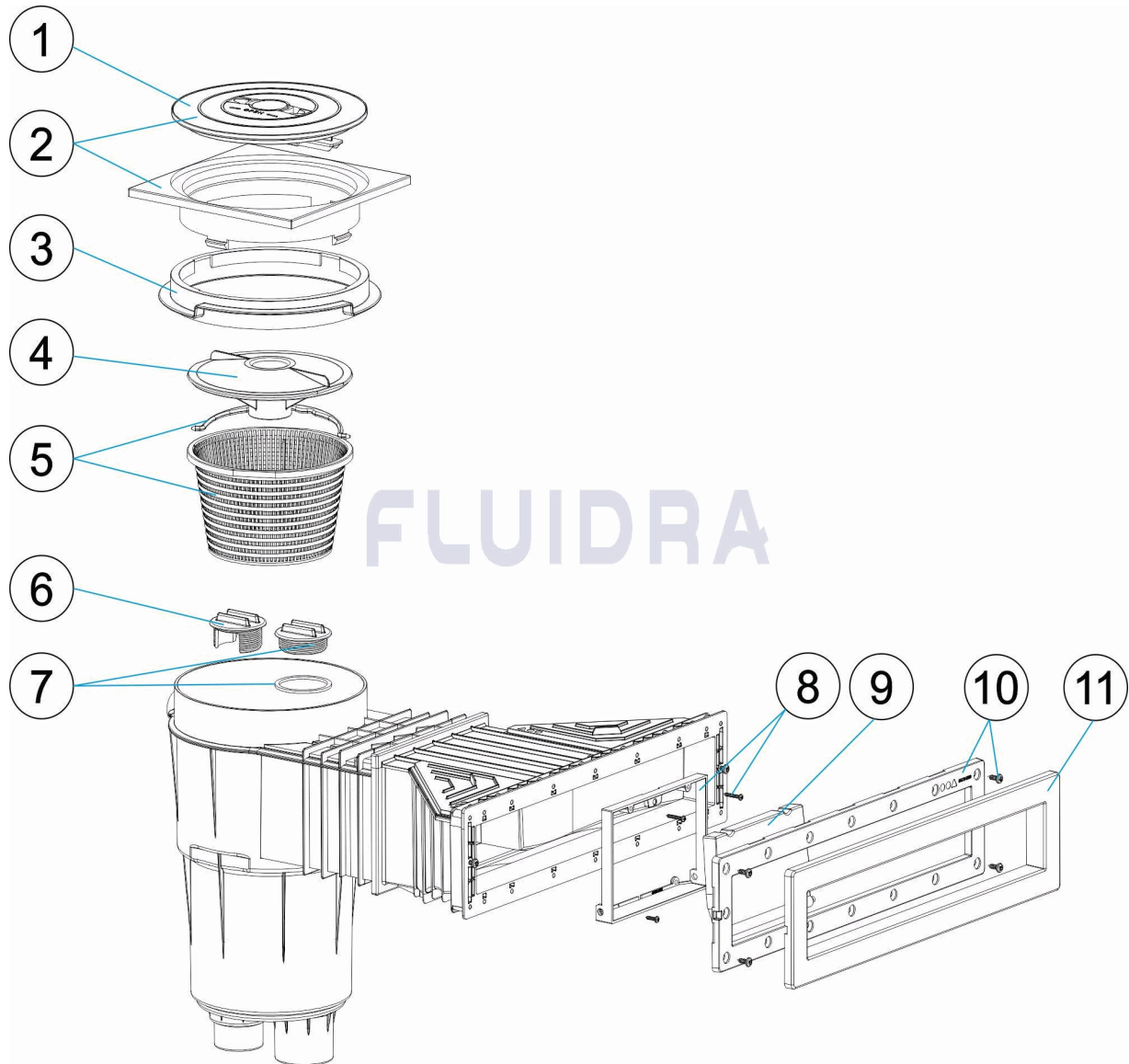


CODIGO **E-10NORM, E-10NORMCL129**

DESCRIPCION: **SKIMMER 17,5 L. PH B. SLIM**



ESPAÑOL

POS	CODIGO	DESCRIPCION	CANTIDAD	POS	CODIGO	DESCRIPCION	CANTIDAD
1	* SP-02-0185	TAPA SKIMMER		7	SP-02-0021	TAPON CON JUNTA	
1	* SP-02-0090	TAPA SKIMMER		8	* SP-02-0189	MARCO COMPUERTA SKIMMER	
2	* SP-02-0187	ARO CON TAPA SKIMMER GRIS		8	* SP-02-0022	MARCO COMPUERTA SKIMMER	
2	* SP-02-0013	MARCO CUADRADO Y TAPA		9	* SP-02-0190	COMPUERTA SKIMMER CON CLIP	
3	* SP-02-0188	ANILLO DISTANCIADOR SKIMMER		9	* SP-02-0023	COMPUERTA SKIMMER CON CLIP	
3	* SP-02-0017	ANILLO DISTANCIADOR SKIMMER		10	* SP-02-0191	BRIDA BOCA 495 X 80 CON INSERTOS	
4	SP-02-0018	TAPA CESTO SKIMMER		10	* SP-02-0192	BRIDA BOCA 495 X 80 CON INSERTOS	
5	SP-02-0019	CESTO SKIMMER 17,5 LTS.		11	* SP-02-0193	EMBELLECEDOR BOCA 495 X 80	
6	SP-02-0020	TAPON REGULADOR		11	* SP-02-0011	EMBELLECEDOR BOCA 495 X 80	



KIT

REV: 0

9199

FECHA: 20/06/2022

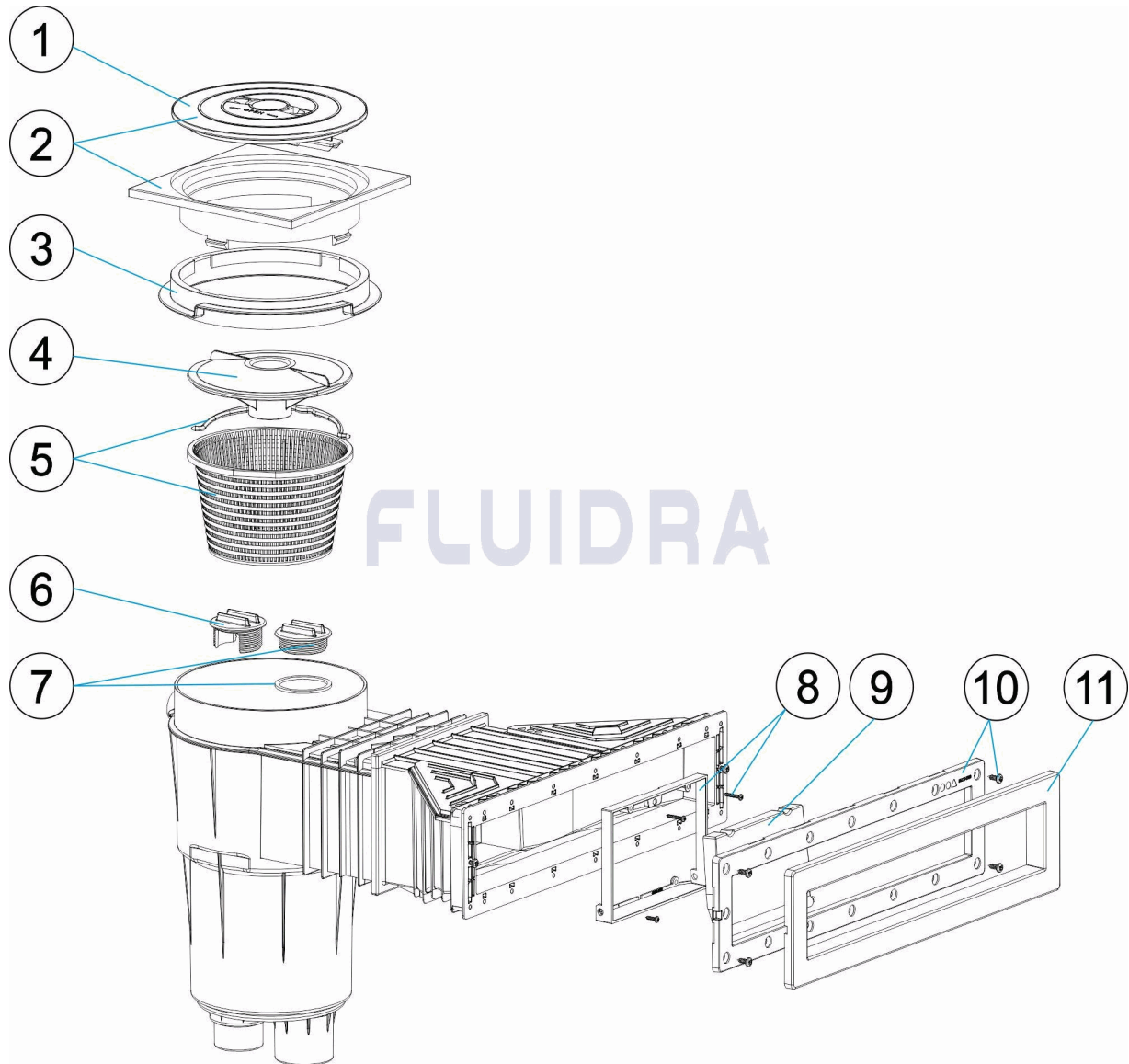
HOJA: 2/2

CODIGO **E-10NORM, E-10NORMCL129**DESCRIPCION: **SKIMMER 17,5 L. PH B. SLIM**

OBSERVACIONES

POS	CODIGO	OBSERVACIONES
1	* SP-02-0185	PARA: E-10NORMCL129 GREY
1	* SP-02-0090	PARA: E-10NORM WHITE
2	* SP-02-0187	PARA: E-10NORMCL129 GREY
2	* SP-02-0013	PARA: E-10NORM WHITE
3	* SP-02-0188	PARA: E-10NORMCL129 GREY
3	* SP-02-0017	PARA: E-10NORM WHITE
8	* SP-02-0189	PARA: E-10NORMCL129 GREY
8	* SP-02-0022	PARA: E-10NORM WHITE
9	* SP-02-0190	PARA: E-10NORMCL129 GREY
9	* SP-02-0023	PARA: E-10NORM WHITE
10	* SP-02-0191	PARA: E-10NORMCL129 GREY
10	* SP-02-0192	PARA: E-10NORM WHITE
11	* SP-02-0193	PARA: E-10NORMCL129 GREY
11	* SP-02-0011	PARA: E-10NORM WHITE

CODE **E-10NORM, E-10NORMCL129**

 DESCRIPTION: **SKIMMER 17,5 L. PH B. SLIM**

FRANCAIS

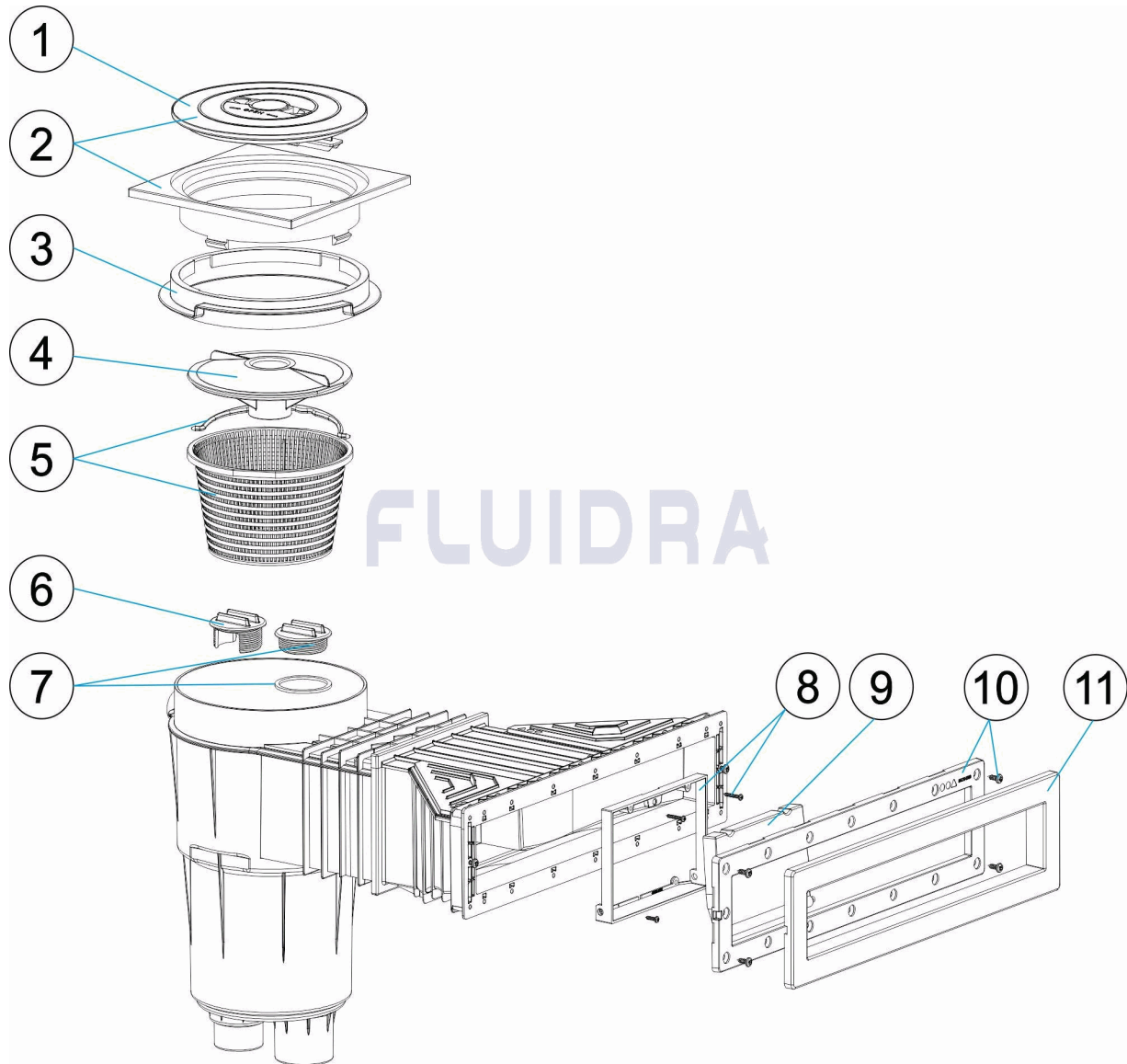
POS	CODE	DESCRIPTION	QUANTITE	POS	CODE	DESCRIPTION	QUANTITE
1	* SP-02-0185	COUVERCLE ROND DE SKIMMER		7	SP-02-0021	BOUCHON SKIMMER AVEC JOINT	
1	* SP-02-0090	COUVERCLE ROND DE SKIMMER		8	* SP-02-0189	CADRE VOLET SKIMMER	
2	* SP-02-0187	COUVERCLE ET CADRE DE SKIMMER GRI:		8	* SP-02-0022	CADRE VOLET SKIMMER	
2	* SP-02-0013	CADRE ET COUVERCLE ROND		9	* SP-02-0190	VOLET DE SKIMMER	
3	* SP-02-0188	CADRE REHAUSSE COUVERCLE		9	* SP-02-0023	VOLET DE SKIMMER	
3	* SP-02-0017	CADRE REHAUSSE COUVERCLE		10	* SP-02-0191	BRIDE 495 X 80 AVEC INSERTS	
4	SP-02-0018	COUVERCLE PANIER SKIMMER		10	* SP-02-0192	BRIDE 495 X 80 AVEC INSERTS	
5	SP-02-0019	PANIER SKIMMER 17,5 LTS		11	* SP-02-0193	ENJOLIVEUR 495 X 80	
6	SP-02-0020	BOUCHON REGULATEUR		11	* SP-02-0011	ENJOLIVEUR 495 X 80	

CODE **E-10NORM, E-10NORMCL129**DESCRIPTION: **SKIMMER 17,5 L. PH B. SLIM**

OBSERVATIONS

POS	CODE	OBSERVATIONS
1	* SP-02-0185	POUR: E-10NORMCL129 GREY
1	* SP-02-0090	POUR: E-10NORM WHITE
2	* SP-02-0187	POUR: E-10NORMCL129 GREY
2	* SP-02-0013	POUR: E-10NORM WHITE
3	* SP-02-0188	POUR: E-10NORMCL129 GREY
3	* SP-02-0017	POUR: E-10NORM WHITE
8	* SP-02-0189	POUR: E-10NORMCL129 GREY
8	* SP-02-0022	POUR: E-10NORM WHITE
9	* SP-02-0190	POUR: E-10NORMCL129 GREY
9	* SP-02-0023	POUR: E-10NORM WHITE
10	* SP-02-0191	POUR: E-10NORMCL129 GREY
10	* SP-02-0192	POUR: E-10NORM WHITE
11	* SP-02-0193	POUR: E-10NORMCL129 GREY
11	* SP-02-0011	POUR: E-10NORM WHITE

CODE **E-10NORM, E-10NORMCL129**

 DESCRIPTION: **SKIMMER 17,5 L. PH B. SLIM**

ENGLISH

POS	CODE	DESCRIPTION	QUANTITY	POS	CODE	DESCRIPTION	QUANTITY
1	* SP-02-0185	SKIMMER LID		7	SP-02-0021	BLANKING PLUG AND 'O' RING	
1	* SP-02-0090	SKIMMER LID		8	* SP-02-0189	FLAP FRAME	
2	* SP-02-0187	GREY LID AND FRAME		8	* SP-02-0022	FLAP FRAME	
2	* SP-02-0013	SQUARE RIM AND LID		9	* SP-02-0190	SKIMMER FLAP	
3	* SP-02-0188	COLLAR EXTENSION RING		9	* SP-02-0023	SKIMMER FLAP	
3	* SP-02-0017	COLLAR EXTENSION RING		10	* SP-02-0191	FLANGE 495 X 80 APERTURE WITH INSERT	
4	SP-02-0018	VACUUM PLATE		10	* SP-02-0192	FLANGE 495 X 80 APERTURE WITH INSERT	
5	SP-02-0019	BASKET 17,5 LITRES		11	* SP-02-0193	PLATE 495 X 80 APERTURE	
6	SP-02-0020	REGULATING PLUG		11	* SP-02-0011	PLATE 495 X 80 APERTURE	



PARTS BREAKDOWN

REV.: 0

9199

DATE: 20/06/2022

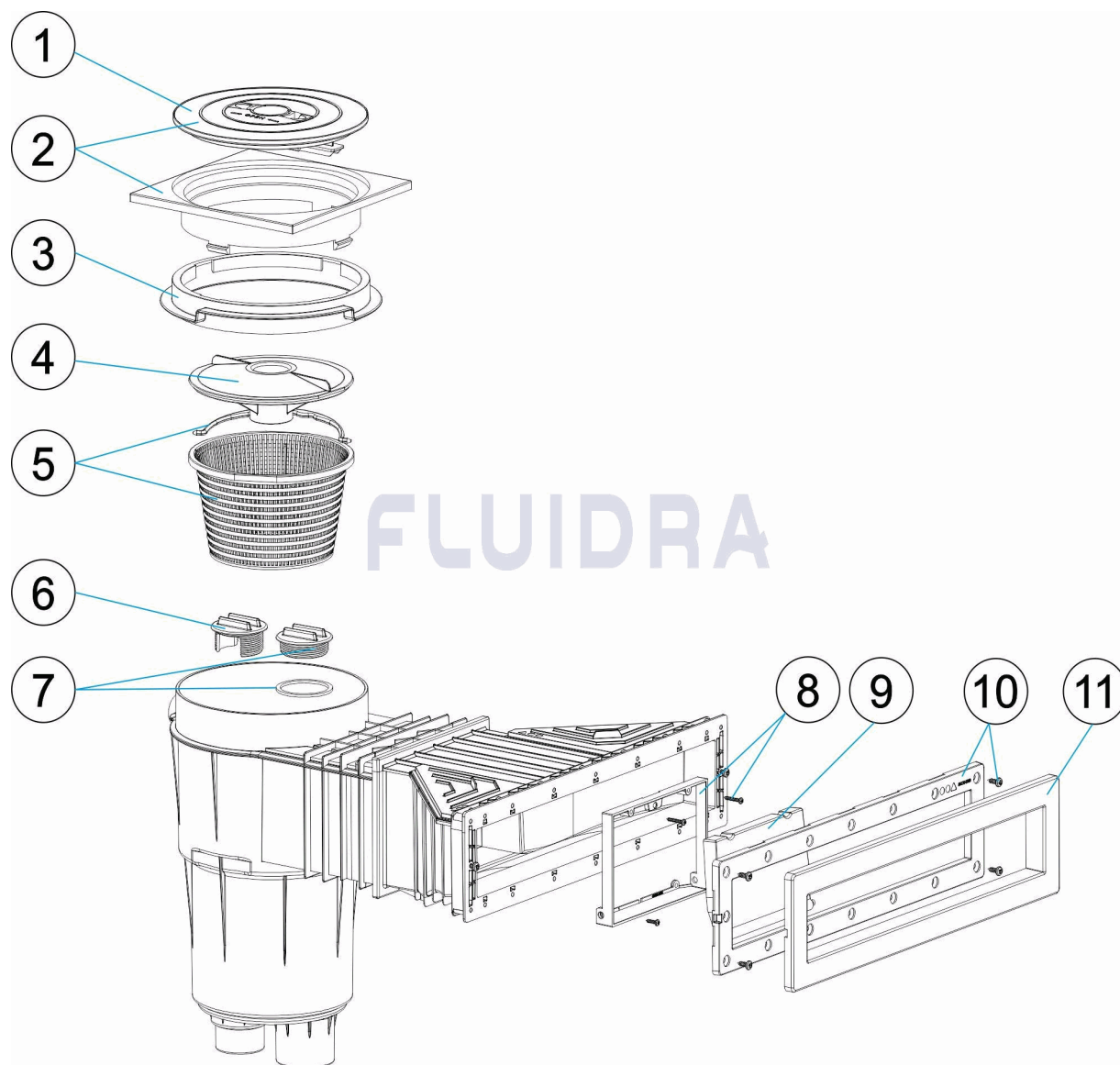
SHEET: 2/2

CODE **E-10NORM, E-10NORMCL129**DESCRIPTION: **SKIMMER 17,5 L. PH B. SLIM**

OBSERVATIONS

POS	CODE	OBSERVATIONS
1	* SP-02-0185	FOR: E-10NORMCL129 GREY
1	* SP-02-0090	FOR: E-10NORM WHITE
2	* SP-02-0187	FOR: E-10NORMCL129 GREY
2	* SP-02-0013	FOR: E-10NORM WHITE
3	* SP-02-0188	FOR: E-10NORMCL129 GREY
3	* SP-02-0017	FOR: E-10NORM WHITE
8	* SP-02-0189	FOR: E-10NORMCL129 GREY
8	* SP-02-0022	FOR: E-10NORM WHITE
9	* SP-02-0190	FOR: E-10NORMCL129 GREY
9	* SP-02-0023	FOR: E-10NORM WHITE
10	* SP-02-0191	FOR: E-10NORMCL129 GREY
10	* SP-02-0192	FOR: E-10NORM WHITE
11	* SP-02-0193	FOR: E-10NORMCL129 GREY
11	* SP-02-0011	FOR: E-10NORM WHITE

CODICE **E-10NORM, E-10NORMCL129**

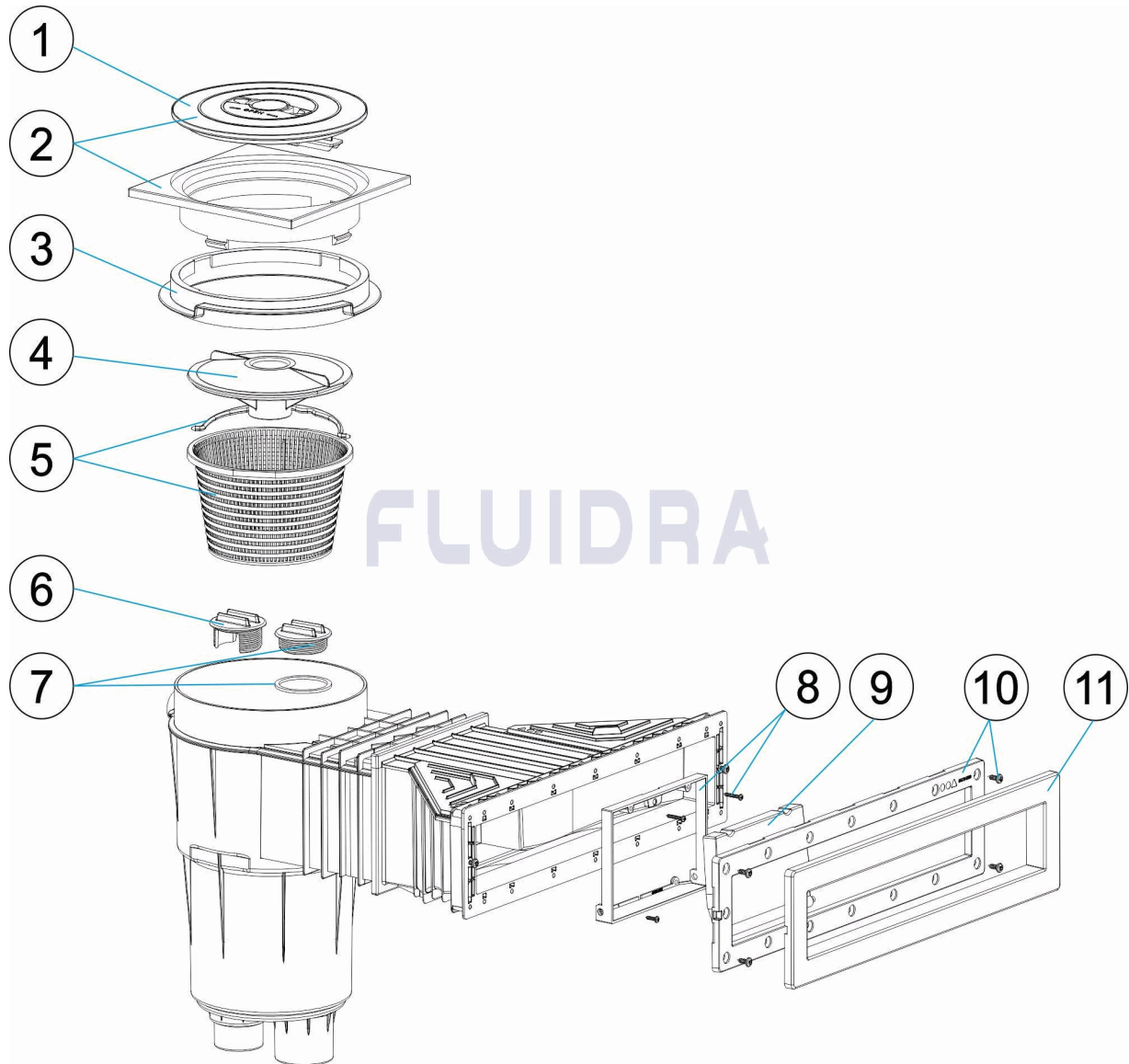
 DESCRIZIONE: **SKIMMER 17,5 L. PH B. SLIM**

ITALIANO

POS	CODICE	DESCRIZIONE	QUANTITA'	POS	CODICE	DESCRIZIONE	QUANTITA'
1	* SP-02-0185	COPERCHIO SKIMMER		7	SP-02-0021	TAPPO CON GUARNIZIONE	
1	* SP-02-0090	COPERCHIO SKIMMER		8	* SP-02-0189	CORNICE BATTENTE SKIMMER	
2	* SP-02-0187	CORNICE CON COPERCHIO SKIMMER GR		8	* SP-02-0022	CORNICE BATTENTE SKIMMER	
2	* SP-02-0013	FLANGIA QUADRATA E COPERCHIO		9	* SP-02-0190	BATTENTE SKIMMER CON CLIP	
3	* SP-02-0188	ANELLO DISTANZIATORE SKIMMER		9	* SP-02-0023	BATTENTE SKIMMER CON CLIP	
3	* SP-02-0017	ANELLO DISTANZIATORE SKIMMER		10	* SP-02-0191	FLANGIA 495 X 80 CON INSERTI	
4	SP-02-0018	COPERCHIO CESTELLO SKIMMER		10	* SP-02-0192	FLANGIA 495 X 80 CON INSERTI	
5	SP-02-0019	CESTELLO SKIMMER DA 17,5 LITRI		11	* SP-02-0193	FLANGIA DI RIFINITURA 495 X 80	
6	SP-02-0020	TAPPO DI REGOLAZIONE		11	* SP-02-0011	FLANGIA DI RIFINITURA 495 X 80	

CODICE **E-10NORM, E-10NORMCL129**DESCRIZIONE: **SKIMMER 17,5 L. PH B. SLIM****OSSERVAZIONI**

POS	CODICE	OSSERVAZIONI
1	* SP-02-0185	PER: E-10NORMCL129 GREY
1	* SP-02-0090	PER: E-10NORM WHITE
2	* SP-02-0187	PER: E-10NORMCL129 GREY
2	* SP-02-0013	PER: E-10NORM WHITE
3	* SP-02-0188	PER: E-10NORMCL129 GREY
3	* SP-02-0017	PER: E-10NORM WHITE
8	* SP-02-0189	PER: E-10NORMCL129 GREY
8	* SP-02-0022	PER: E-10NORM WHITE
9	* SP-02-0190	PER: E-10NORMCL129 GREY
9	* SP-02-0023	PER: E-10NORM WHITE
10	* SP-02-0191	PER: E-10NORMCL129 GREY
10	* SP-02-0192	PER: E-10NORM WHITE
11	* SP-02-0193	PER: E-10NORMCL129 GREY
11	* SP-02-0011	PER: E-10NORM WHITE

CODE **E-10NORM, E-10NORMCL129**

 BESCHREIBUNG: **SKIMMER 17,5 L. PH B. SLIM**

DEUTSCH

POS	CODE	BESCHREIBUNG	MENGE	POS	CODE	BESCHREIBUNG	MENGE
1	* SP-02-0185	SKIMMERDECKEL		7	SP-02-0021	STOPFEN UND DICHTUNG	
1	* SP-02-0090	SKIMMERDECKEL		8	* SP-02-0189	RAHMEN SKIMMERKLAPPE	
2	* SP-02-0187	RING MIT SKIMMERDECKEL GRAU		8	* SP-02-0022	RAHMEN SKIMMERKLAPPE	
2	* SP-02-0013	QUADRATISCHER RAHMEN UND ABDECKL		9	* SP-02-0190	SKIMMERKLAPPE MIT CLIP	
3	* SP-02-0188	DISTANZRING SKIMMER		9	* SP-02-0023	SKIMMERKLAPPE MIT CLIP	
3	* SP-02-0017	DISTANZRING SKIMMER		10	* SP-02-0191	EINLASSFLANSCH 495 X 80 MIT EINSÄTZE	
4	SP-02-0018	ABDECKUNG SKIMMKORB		10	* SP-02-0192	EINLASSFLANSCH 495 X 80 MIT EINSÄTZE	
5	SP-02-0019	SKIMMERKORB 17,5 L		11	* SP-02-0193	BLENDE EINLASS 495 X 80	
6	SP-02-0020	STOPFEN REGULIERUNG		11	* SP-02-0011	BLENDE EINLASS 495 X 80	



EINZELTEILE

ÜBER.: 0

9199

DATUM: 20/06/2022

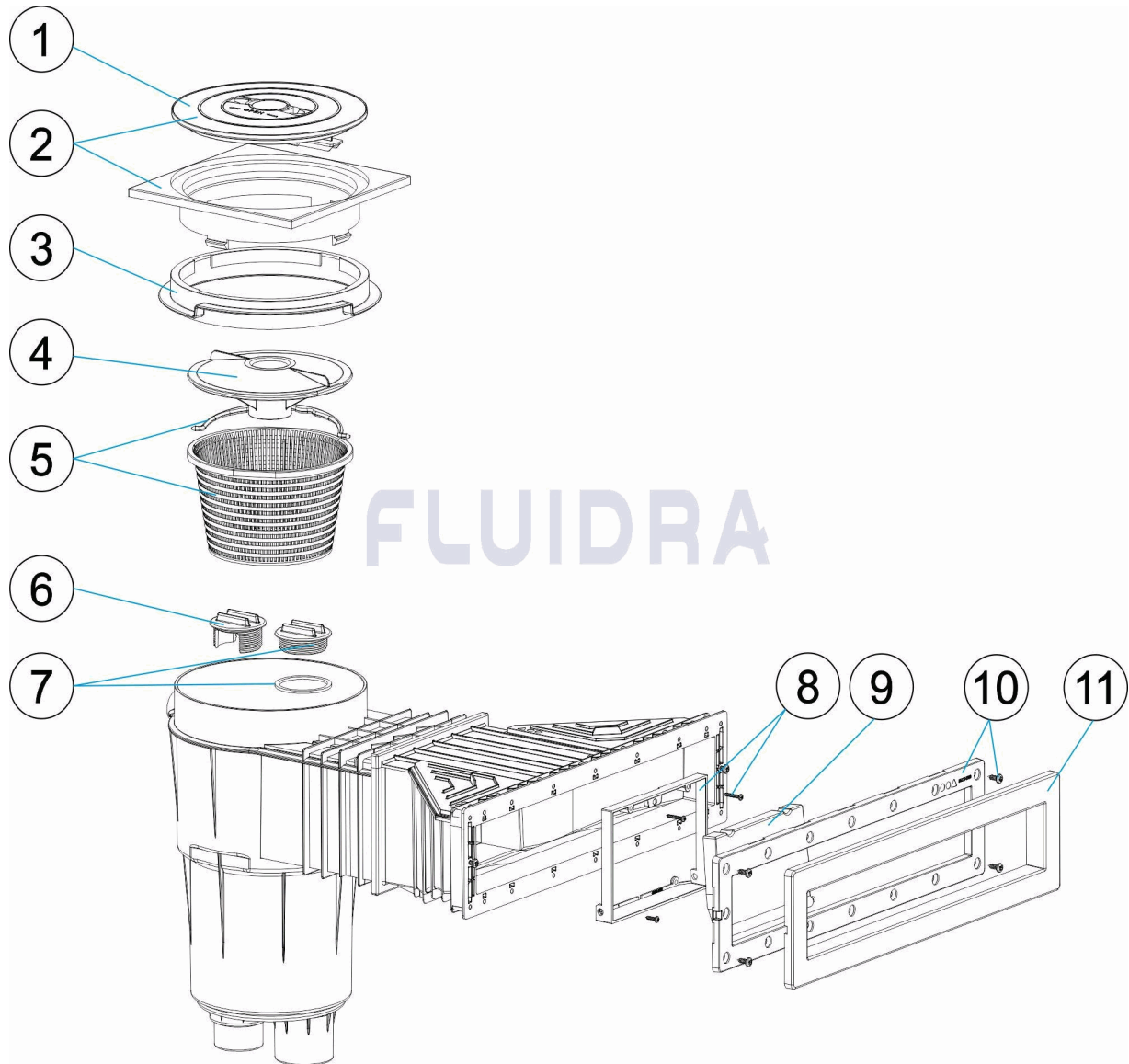
BLATT: 2/2

CODE **E-10NORM, E-10NORMCL129**BESCHREIBUNG: **SKIMMER 17,5 L. PH B. SLIM**

HINWEISE

POS	CODE	HINWEISE
1	* SP-02-0185	FÜR: E-10NORMCL129 GREY
1	* SP-02-0090	FÜR: E-10NORM WHITE
2	* SP-02-0187	FÜR: E-10NORMCL129 GREY
2	* SP-02-0013	FÜR: E-10NORM WHITE
3	* SP-02-0188	FÜR: E-10NORMCL129 GREY
3	* SP-02-0017	FÜR: E-10NORM WHITE
8	* SP-02-0189	FÜR: E-10NORMCL129 GREY
8	* SP-02-0022	FÜR: E-10NORM WHITE
9	* SP-02-0190	FÜR: E-10NORMCL129 GREY
9	* SP-02-0023	FÜR: E-10NORM WHITE
10	* SP-02-0191	FÜR: E-10NORMCL129 GREY
10	* SP-02-0192	FÜR: E-10NORM WHITE
11	* SP-02-0193	FÜR: E-10NORMCL129 GREY
11	* SP-02-0011	FÜR: E-10NORM WHITE

CODIGO **E-10NORM, E-10NORMCL129**

 DESCRIÇÃO: **SKIMMER 17,5 L. PH B. SLIM**


PORTUGUES

POS	CODIGO	DESCRIÇÃO	JANTIDADE	POS	CODIGO	DESCRIÇÃO	JANTIDADE
1	* SP-02-0185	TAMPA SKIMMER		7	SP-02-0021	TAMPA COM JUNTA	
1	* SP-02-0090	TAMPA SKIMMER		8	* SP-02-0189	CAIXILHO COMPORTA SKIMMER	
2	* SP-02-0187	ARO COM TAMPA SKIMMER CINZENTO		8	* SP-02-0022	CAIXILHO COMPORTA SKIMMER	
2	* SP-02-0013	ARO QUADRADO E TAMPA		9	* SP-02-0190	COMPORTA SKIMMER CLIP	
3	* SP-02-0188	ANEL DISTANCIADOR SKIMMER		9	* SP-02-0023	COMPORTA SKIMMER CLIP	
3	* SP-02-0017	ANEL DISTANCIADOR SKIMMER		10	* SP-02-0191	FLANGE BOCA 495 X 80 COM INSERÇÕES	
4	SP-02-0018	TAMPA CESTO SKIMMER		10	* SP-02-0192	FLANGE BOCA 495 X 80 COM INSERÇÕES	
5	SP-02-0019	CESTO SKIMMER 17,5 LTS		11	* SP-02-0193	EMBELEZADOR BOCA 495 X 80	
6	SP-02-0020	TAMPA REGULADORA		11	* SP-02-0011	EMBELEZADOR BOCA 495 X 80	

CODIGO E-10NORM, E-10NORMCL129

DESCRIÇÃO: SKIMMER 17,5 L. PH B. SLIM

OBSERVAÇÕES

POS	CODIGO	OBSERVAÇÕES
1	* SP-02-0185	PARA: E-10NORMCL129 GREY
1	* SP-02-0090	PARA: E-10NORM WHITE
2	* SP-02-0187	PARA: E-10NORMCL129 GREY
2	* SP-02-0013	PARA: E-10NORM WHITE
3	* SP-02-0188	PARA: E-10NORMCL129 GREY
3	* SP-02-0017	PARA: E-10NORM WHITE
8	* SP-02-0189	PARA: E-10NORMCL129 GREY
8	* SP-02-0022	PARA: E-10NORM WHITE
9	* SP-02-0190	PARA: E-10NORMCL129 GREY
9	* SP-02-0023	PARA: E-10NORM WHITE
10	* SP-02-0191	PARA: E-10NORMCL129 GREY
10	* SP-02-0192	PARA: E-10NORM WHITE
11	* SP-02-0193	PARA: E-10NORMCL129 GREY
11	* SP-02-0011	PARA: E-10NORM WHITE