

DESPIECE

REV: 0

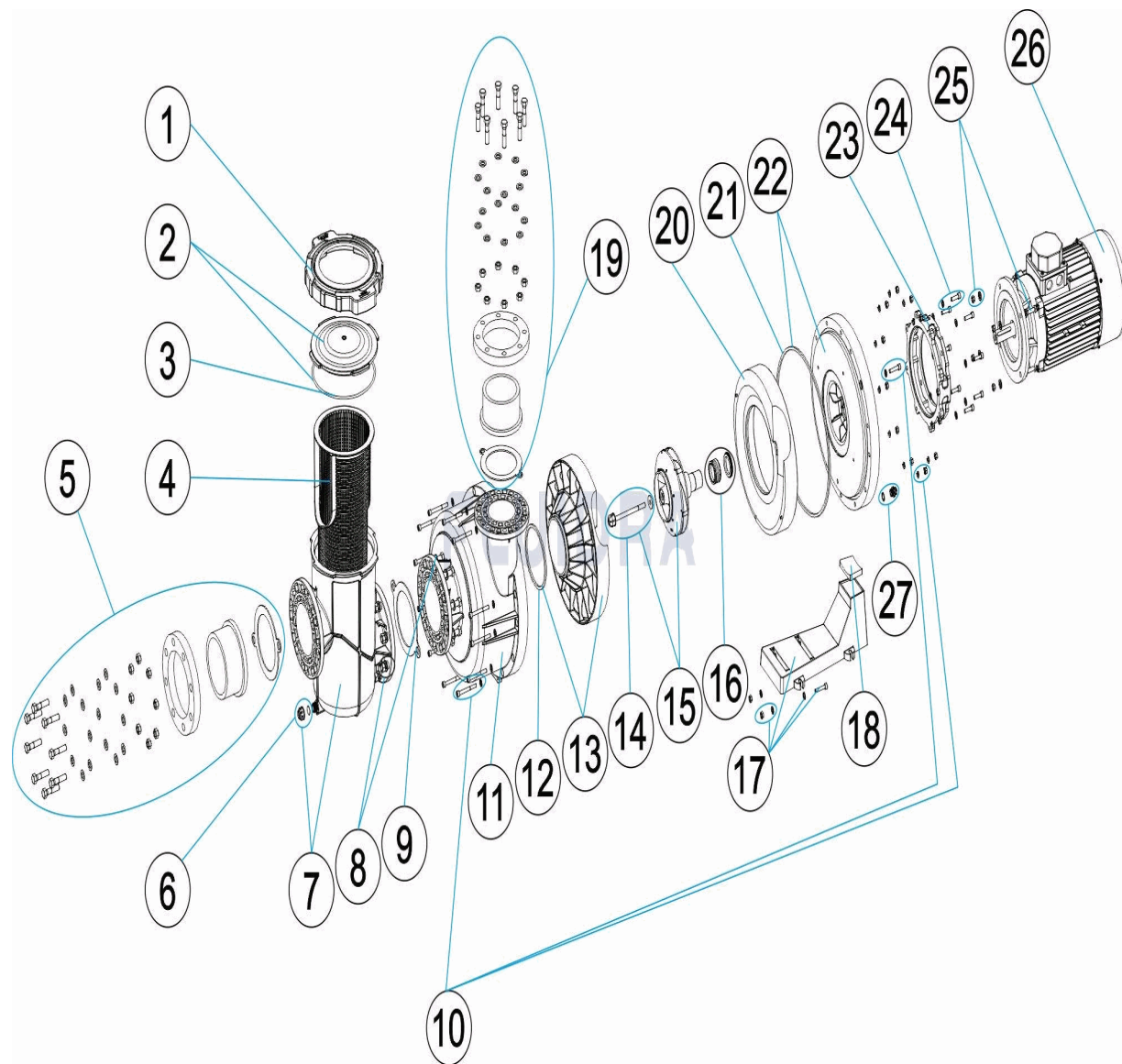
9200

FECHA: 21/06/2022

HOJA: 1/3

CODIGO **DNB0750SP-E-M, DNB1000SP-E-3, DNB1000SP-E-M, DNB1500SP-E-3, DNB1500SP-E-M**

DESCRIPCION: **BOMBA DANUBI**



ESPAÑOL

POS	CODIGO	DESCRIPCION	CANTIDAD	POS	CODIGO	DESCRIPCION	CANTIDAD
1	4405010278	TUERCA PREFILTRO 25 L.		14	* 4405010297	TAPON RODETE 7,5-10 HP.	
2	4405010279	TAPA PREFILTRO 25 L. + JUNTA		14	* 4405010298	TAPON RODETE 15 HP.	
3	4405010280	JUNTA TORICA TAPA PREFILTRO		15	* 4405010294	RODETE 7,5 HP	
4	4405010281	CESTO PREFITRO 25 L.		15	* 4405010295	RODETE 10 HP	
5	4405010683	ACCESORIOS ENLACE D-160		15	* 4405010296	RODETE 15 HP	
6	4405010283	CJTO. TAPÓN PURGA 3/4" BS "		16	4405010299	JUNTA MECANICA	
7	4405010282	CUERPO PREFITRO 25 L.		17	4405010288	PIE BOMBA	
8	4405010286	CJTO. TORNILLOS UNION PREFILTRO		18	* 4405010366	SILENTBLOCK 7,5 A 10 HP.	
9	4405010284	JUNTA PLANA PP D160		18	* 4405010290	SILENTBLOCK 15 HP.	
10	4405010287	CJTO. TORNILLOS UNION CUERPO		19	4405010682	ACCESORIOS ENLACE D-140	
11	4405010285	CUERPO BOMBA		20	* 4405010300	VOLUTA DERECHA 7,5 HP.	
12	4405010289	JUNTA PLANA 186X170X6		20	* 4405010329	VOLUTA DERECHA 10 HP.	

* NOTA OBSERVACIONES

DESPIECE

REV: 0

9200

FECHA: 21/06/2022

HOJA: 2/3

CODIGO **DNB0750SP-E-M, DNB1000SP-E-3, DNB1000SP-E-M, DNB1500SP-E-3,
DNB1500SP-E-M**

DESCRIPCION: **BOMBA DANUBI**

13	* 4405010291	VOLUTA IZQUIERDA 7,5 HP. + JUNTA	20	* 4405010336	VOLUTA DERECHA 15 HP.
13	* 4405010292	VOLUTA IZQUIERDA 10 HP. + JUNTA	21	4405010365	JUNTA TORICA TAPA PREFILTRO
13	* 4405010293	VOLUTA IZQUIERDA 15 HP. + JUNTA	22	4405010385	BRIDA CIERRE MECANICO + JUNTA
23	4405010386	BRIDA MOTOR PINTADA	26	* 56637R0475	MOTOR 10 CV. 400/690V.
24	4405010398	TORNILLOS FIJACION BRIDA	26	* 56638R0475	MOTOR 15 CV. 230/400V.
25	4405010399	TORNILLOS BRIDA MOTOR	26	* 56639R0475	MOTOR 15 CV. 400/690V.
26	* 56634R0475	MOTOR 7,5 CV. 400/690V.	27	4401043406	TAPON ½"
26	* 56635R0475	MOTOR 10 CV. 230/400V			

* NOTA OBSERVACIONES

DESPIECE

REV: 0

9200

FECHA: 21/06/2022

HOJA: 3/3

CODIGO **DNB0750SP-E-M, DNB1000SP-E-3, DNB1000SP-E-M, DNB1500SP-E-3,
DNB1500SP-E-M**

DESCRIPCION: **BOMBA DANUBI**

OBSERVACIONES

POS	CODIGO	OBSERVACIONES
13	* 4405010291	PARA: DNB0750SP-E-M
13	* 4405010292	PARA: DNB1000SP-E-M, DNB1000SP-E-3
13	* 4405010293	PARA: DNB1500SP-E-M, DNB1500SP-E-3
14	* 4405010297	PARA: DNB0750SP-E-M, DNB1000SP-E-M, DNB1000SP-E-3
14	* 4405010298	PARA: DNB1500SP-E-M, DNB1500SP-E-3
15	* 4405010294	PARA: DNB0750SP-E-M
15	* 4405010295	PARA: DNB1000SP-E-M, DNB1000SP-E-3
15	* 4405010296	PARA: DNB1500SP-E-M, DNB1500SP-E-3
18	* 4405010366	PARA: DNB0750SP-E-M, DNB1000SP-E-M, DNB1000SP-E-3
18	* 4405010290	PARA: DNB1500SP-E-M, DNB1500SP-E-3
20	* 4405010300	PARA: DNB0750SP-E-M
20	* 4405010329	PARA: DNB1000SP-E-M, DNB1000SP-E-3
20	* 4405010336	PARA: DNB1500SP-E-M, DNB1500SP-E-3
26	* 56634R0475	PARA: DNB0750SP-E-M
26	* 56635R0475	PARA: DNB1000SP-E-3
26	* 56637R0475	PARA: DNB1000SP-E-M
26	* 56638R0475	PARA: DNB1500SP-E-3
26	* 56639R0475	PARA: DNB1500SP-E-M

ÉCLATÉ

REV.: 0

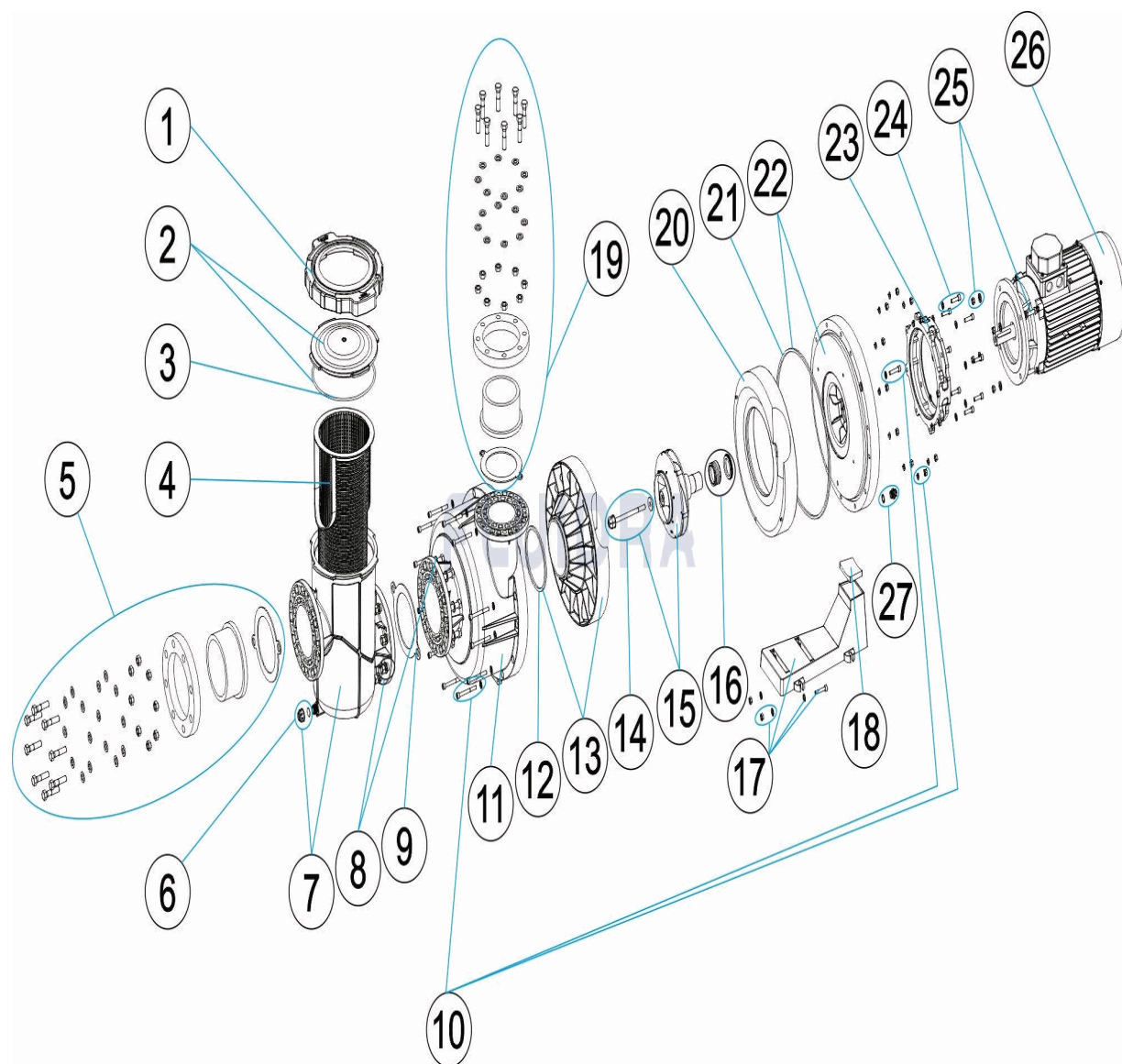
9200

DATE: 21/06/2022

PAG.: 1/3

CODE **DNB0750SP-E-M, DNB1000SP-E-3, DNB1000SP-E-M, DNB1500SP-E-3, DNB1500SP-E-M**

DESCRIPTION: **POMPE DANUBI**



FRANCAIS

POS	CODE	DESCRIPTION	QUANTITE	POS	CODE	DESCRIPTION	QUANTITE
1	4405010278	ÉCROU PRÉFILTRE 25L.		14	* 4405010297	BOUCHON BOUT D'AXE ROTOR 7,5-10 HP.	
2	4405010279	COUVERCLE PRÉFILTRE 25L. + JOINT		14	* 4405010298	BOUCHON BOUT D'AXE ROTOR 15 HP.	
3	4405010280	JOINT TORIQUE COUVERCLE PRÉFILTRE		15	* 4405010294	TURBINE 7,5 HP	
4	4405010281	PANIER PRÉFILTRE 25 L		15	* 4405010295	TURBINE 10 HP	
5	4405010683	RACCORDS UNION D-160		15	* 4405010296	TURBINE 15 HP	
6	4405010283	ENSEMBLE BOUCHON PURGE 3/4" BS "		16	4405010299	GARNITURE MÉCANIQUE	
7	4405010282	CORPS PRÉFILTRE 25 L.		17	4405010288	SOCLE POMPE	
8	4405010286	ENS. VIS RACCORD PRÉFILTRE		18	* 4405010366	SILENT-BLOCK 7,5 A 10 HP.	
9	4405010284	JOINT PLAT PP D160		18	* 4405010290	SILENT-BLOCK 15 HP.	
10	4405010287	ENSEMBLE VIS FIXATION CORPS		19	4405010682	RACCORDS UNION D-140	
11	4405010285	CORPS POMPE		20	* 4405010300	VOLUTE DROITE 7,5 HP.	
12	4405010289	JOINT PLAT 186X170X6		20	* 4405010329	VOLUTE DROITE 10 HP.	

* VOIR FICHE D'OBSERVATIONS

ÉCLATÉ

REV.: 0

9200

DATE: 21/06/2022

PAG.: 2/3

CODE **DNB0750SP-E-M, DNB1000SP-E-3, DNB1000SP-E-M, DNB1500SP-E-3,
DNB1500SP-E-M**

DESCRIPTION: **POMPE DANUBI**

13	* 4405010291	VOLUTE GAUCHE 7,5 HP. + JOINT	20	* 4405010336	VOLUTE DROITE 15 HP.
13	* 4405010292	VOLUTE GAUCHE 10 HP. + JOINT	21	4405010365	JOINT TORIQUE COUVERCLE PRÉFILTRE
13	* 4405010293	VOLUTE GAUCHE 15 HP. + JOINT	22	4405010385	BRIDE FERMETURE MÉCANIQUE + JOINT
23	4405010386	BRIDE MOTEUR PEINTE	26	* 56637R0475	MOTEUR 10 CV. 400/690V.
24	4405010398	VIS FIXATION BRIDE	26	* 56638R0475	MOTEUR 15 HP 230/400V
25	4405010399	VIS BRIDE MOTEUR	26	* 56639R0475	MOTEUR 15 CV. 400/690V.
26	* 56634R0475	MOTEUR 7,5 HP 230/400V	27	4401043406	BOUCHON 1/2'
26	* 56635R0475	MOTOUR 10 HP 230/400V			

* VOIR FICHE D'OBSERVATIONS

ÉCLATÉ

REV.: 0

9200

DATE: 21/06/2022

PAG.: 3/3

CODE **DNB0750SP-E-M, DNB1000SP-E-3, DNB1000SP-E-M, DNB1500SP-E-3,
DNB1500SP-E-M**

DESCRIPTION: **POMPE DANUBI**

OBSERVATIONS

POS	CODE	OBSERVATIONS
13	* 4405010291	POUR: DNB0750SP-E-M
13	* 4405010292	POUR: DNB1000SP-E-M, DNB1000SP-E-3
13	* 4405010293	POUR: DNB1500SP-E-M, DNB1500SP-E-3
14	* 4405010297	POUR: DNB0750SP-E-M, DNB1000SP-E-M, DNB1000SP-E-3
14	* 4405010298	POUR: DNB1500SP-E-M, DNB1500SP-E-3
15	* 4405010294	POUR: DNB0750SP-E-M
15	* 4405010295	POUR: DNB1000SP-E-M, DNB1000SP-E-3
15	* 4405010296	POUR: DNB1500SP-E-M, DNB1500SP-E-3
18	* 4405010366	POUR: DNB0750SP-E-M, DNB1000SP-E-M, DNB1000SP-E-3
18	* 4405010290	POUR: DNB1500SP-E-M, DNB1500SP-E-3
20	* 4405010300	POUR: DNB0750SP-E-M
20	* 4405010329	POUR: DNB1000SP-E-M, DNB1000SP-E-3
20	* 4405010336	POUR: DNB1500SP-E-M, DNB1500SP-E-3
26	* 56634R0475	POUR: DNB0750SP-E-M
26	* 56635R0475	POUR: DNB1000SP-E-3
26	* 56637R0475	POUR: DNB1000SP-E-M
26	* 56638R0475	POUR: DNB1500SP-E-3
26	* 56639R0475	POUR: DNB1500SP-E-M

PARTS BREAKDOWN

REV.: 0

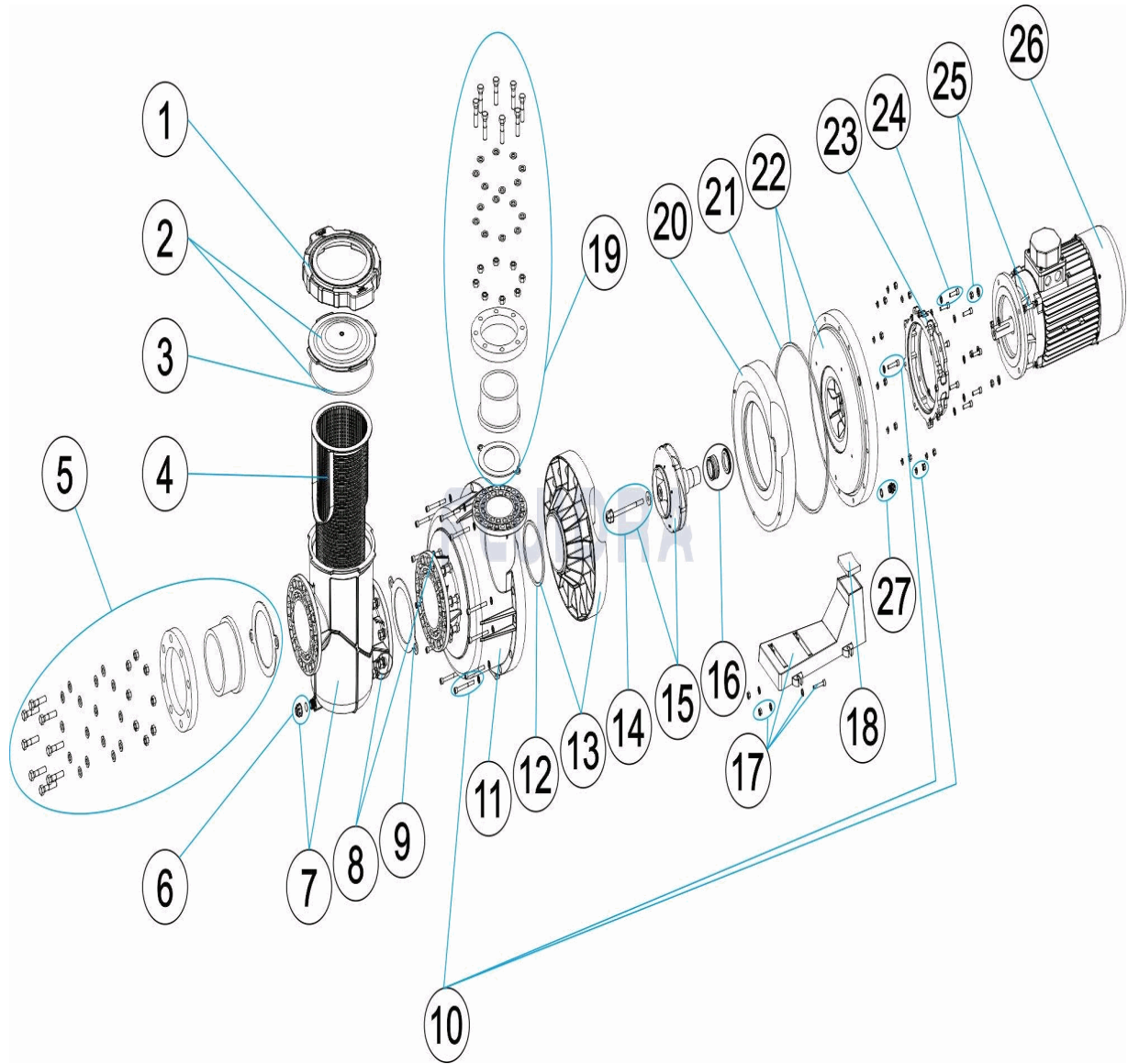
9200

DATE: 21/06/2022

SHEET: 1/3

CODE **DNB0750SP-E-M, DNB1000SP-E-3, DNB1000SP-E-M, DNB1500SP-E-3, DNB1500SP-E-M**

DESCRIPTION: **DANUBI PUMP**



ENGLISH

POS	CODE	DESCRIPTION	QUANTITY	POS	CODE	DESCRIPTION	QUANTITY
1	4405010278	25 L. PREFILTER NUT		14	* 4405010297	IMPELLER COVER 7,5-10 HP.	
2	4405010279	25 L. PREFILTER LID + GASKET		14	* 4405010298	IMPELLER COVER 15 HP.	
3	4405010280	PREFILTER LID TORIC GASKET		15	* 4405010294	IMPELLER 7,5 HP	
4	4405010281	PRE-FILTER BASKET 25 L		15	* 4405010295	IMPELLER 10 HP	
5	4405010683	UNION FITTINGS D-160		15	* 4405010296	IMPELLER 15 HP	
6	4405010283	DRAIN CAP SET 3/4" BS "		16	4405010299	MECHANICAL SEAL	
7	4405010282	PREFILTER BODY 25 L.		17	4405010288	PUMP BASE	
8	4405010286	PREFILTER CONNECTING SCREWS		18	* 4405010366	SILENTBLOCK 7,5 A 10 HP.	
9	4405010284	D160 PP FLAT GASKET		18	* 4405010290	SILENTBLOCK 15 HP.	
10	4405010287	KIT FIXING SCREWS		19	4405010682	UNION FITTINGS D-140	
11	4405010285	PUMP HOUSING		20	* 4405010300	7.5 HP RIGHT VOLUTE	
12	4405010289	FLAT GASKET 186X170X6		20	* 4405010329	10 HP RIGHT VOLUTE	

* SEE OBSERVATIONS SHEET

PARTS BREAKDOWN

REV.: 0
 DATE: 21/06/2022
 SHEET: 2/3

9200

CODE **DNB0750SP-E-M, DNB1000SP-E-3, DNB1000SP-E-M, DNB1500SP-E-3,
 DNB1500SP-E-M**

DESCRIPTION: **DANUBI PUMP**

13	* 4405010291	7.5 HP LEFT VOLUTE + GASKET	20	* 4405010336	15 HP RIGHT VOLUTE
13	* 4405010292	10 HP LEFT VOLUTE + GASKET	21	4405010365	PREFILTER LID TORIC GASKET
13	* 4405010293	15 HP LEFT VOLUTE + GASKET	22	4405010385	MECHANICAL CLOSURE FLANGE + SEAL
23	4405010386	PAINTED MOTOR FLANGE	26	* 56637R0475	MOTOR 10 CV. 400/690V.
24	4405010398	SCREWS FIXING DIVING BRIDLE	26	* 56638R0475	MOTOR 15 HP 230/400V
25	4405010399	MOTOR FLANGE SCREWS	26	* 56639R0475	MOTOR 15 CV. 400/690V.
26	* 56634R0475	MOTOR 7,5 HP 230/400V	27	4401043406	PLUG 1/2"
26	* 56635R0475	MOTOR 10 HP 230/400V			

PARTS BREAKDOWN

REV.: 0
DATE: 21/06/2022
SHEET: 3/3

9200

CODE **DNB0750SP-E-M, DNB1000SP-E-3, DNB1000SP-E-M, DNB1500SP-E-3,
DNB1500SP-E-M**

DESCRIPTION: **DANUBI PUMP**

OBSERVATIONS

POS	CODE	OBSERVATIONS
13	* 4405010291	FOR: DNB0750SP-E-M
13	* 4405010292	FOR: DNB1000SP-E-M, DNB1000SP-E-3
13	* 4405010293	FOR: DNB1500SP-E-M, DNB1500SP-E-3
14	* 4405010297	FOR: DNB0750SP-E-M, DNB1000SP-E-M, DNB1000SP-E-3
14	* 4405010298	FOR: DNB1500SP-E-M, DNB1500SP-E-3
15	* 4405010294	FOR: DNB0750SP-E-M
15	* 4405010295	FOR: DNB1000SP-E-M, DNB1000SP-E-3
15	* 4405010296	FOR: DNB1500SP-E-M, DNB1500SP-E-3
18	* 4405010366	FOR: DNB0750SP-E-M, DNB1000SP-E-M, DNB1000SP-E-3
18	* 4405010290	FOR: DNB1500SP-E-M, DNB1500SP-E-3
20	* 4405010300	FOR: DNB0750SP-E-M
20	* 4405010329	FOR: DNB1000SP-E-M, DNB1000SP-E-3
20	* 4405010336	FOR: DNB1500SP-E-M, DNB1500SP-E-3
26	* 56634R0475	FOR: DNB0750SP-E-M
26	* 56635R0475	FOR: DNB1000SP-E-3
26	* 56637R0475	FOR: DNB1000SP-E-M
26	* 56638R0475	FOR: DNB1500SP-E-3
26	* 56639R0475	FOR: DNB1500SP-E-M

ESPLOSO

REV.: 0

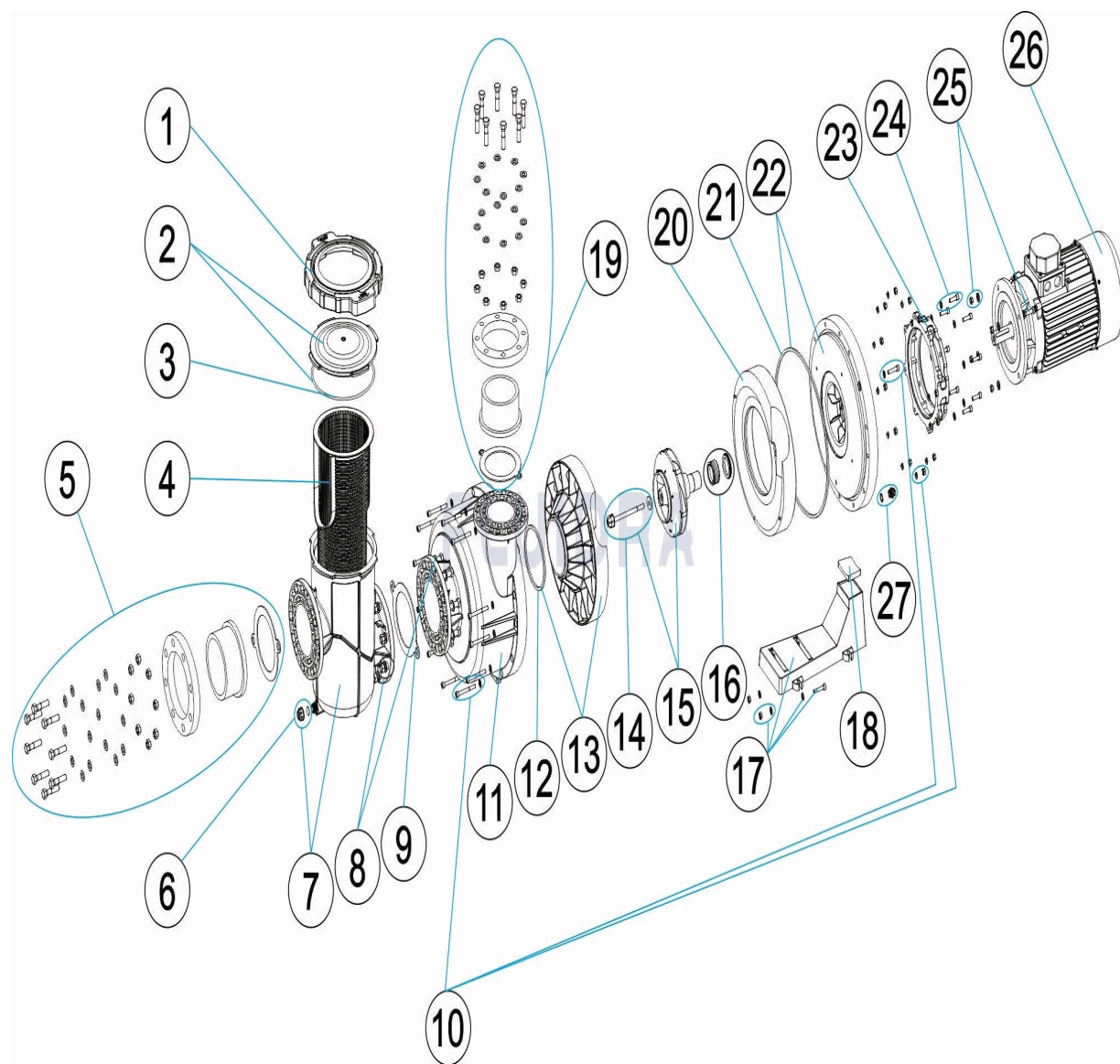
9200

DATA: 21/06/2022

PAG.: 1/3

CODICE **DNB0750SP-E-M, DNB1000SP-E-3, DNB1000SP-E-M, DNB1500SP-E-3, DNB1500SP-E-M**

DESCRIZIONE: **POMPA DANUBI**



ITALIANO

POS	CODICE	DESCRIZIONE	QUANTITA'	POS	CODICE	DESCRIZIONE	QUANTITA'
1	4405010278	DADO PREFILTRO 25 L.		14	* 4405010297	TAPPO RUOTA 7,5-10 HP.	
2	4405010279	COPERCHIO PREFILTRO 25 L. + GIUNTA		14	* 4405010298	TAPPO RUOTA 15 HP.	
3	4405010280	GUARNIZIONE COPERCHIO PREFILTRO		15	* 4405010294	RUOTA 7,5 HP	
4	4405010281	CESTO PREFILTRO 25 L		15	* 4405010295	RUOTA 10 HP	
5	4405010683	MANICOTTI DI UNIONE D-160		15	* 4405010296	RUOTA 15 HP	
6	4405010283	CONGIUNTO COPERCHIO SPURGO 3/4" B		16	4405010299	GUARNIZIONE MECCANICA	
7	4405010282	CORPO PREFILTRO 25 L.		17	4405010288	BASAMENTO POMPA	
8	4405010286	INS. VITI UNIONE PREFILTRO		18	* 4405010366	SILENTBLOC 7,5 A 10 HP.	
9	4405010284	GUARNIZIONE PIANA PP D160		18	* 4405010290	SILENTBLOC 15 HP.	
10	4405010287	KIT VITI FISSAGGIO		19	4405010682	MANICOTTI DI UNIONE D-140	
11	4405010285	CORPO BOMBA		20	* 4405010300	VOLUTA DESTRA 7,5 HP.	
12	4405010289	GIUNTURA PIANA 186X170X6		20	* 4405010329	VOLUTA DESTRA 10 HP.	

* SI FACCIA RIFERIMENTO AL FOGLIO DELLE OSSERVAZIONI

ESPLOSO

REV.: 0

9200

DATA: 21/06/2022

PAG.: 2/3

CODICE **DNB0750SP-E-M, DNB1000SP-E-3, DNB1000SP-E-M, DNB1500SP-E-3,
DNB1500SP-E-M**

DESCRIZIONE: **POMPA DANUBI**

13	* 4405010291	VOLUTA SINISTRA 7,5 HP. + GIUNTA	20	* 4405010336	VOLUTA DESTRA 15 HP.
13	* 4405010292	VOLUTA SINISTRA 10 HP. + GIUNTA	21	4405010365	GUARNIZIONE COPERCHIO PREFILTRO
13	* 4405010293	VOLUTA SINISTRA 15 HP. + GIUNTA	22	4405010385	FASCETTA CHIUSURA MECCANICA + GIUN
23	4405010386	FASCETTA MOTORE VERNICIATA	26	* 56637R0475	MOTOR 10 CV. 400/690V.
24	4405010398	VITI FISSAGGIO FLANGIA	26	* 56638R0475	MOTOR 15 HP 230/400V
25	4405010399	VITI FASCETTA MOTORE	26	* 56639R0475	MOTOR 15 CV. 400/690V.
26	* 56634R0475	MOTOR 7,5 HP 230/400V	27	4401043406	TAPPO 1/2"
26	* 56635R0475	MOTOR 10 HP 230/400V			

ESPLOSO

REV.: 0
DATA: 21/06/2022
PAG.: 3/3

9200

CODICE **DNB0750SP-E-M, DNB1000SP-E-3, DNB1000SP-E-M, DNB1500SP-E-3,
DNB1500SP-E-M**

DESCRIZIONE: **POMPA DANUBI**

OSSERVAZIONI

POS	CODICE	OSSERVAZIONI
13	* 4405010291	PER: DNB0750SP-E-M
13	* 4405010292	PER: DNB1000SP-E-M, DNB1000SP-E-3
13	* 4405010293	PER: DNB1500SP-E-M, DNB1500SP-E-3
14	* 4405010297	PER: DNB0750SP-E-M, DNB1000SP-E-M, DNB1000SP-E-3
14	* 4405010298	PER: DNB1500SP-E-M, DNB1500SP-E-3
15	* 4405010294	PER: DNB0750SP-E-M
15	* 4405010295	PER: DNB1000SP-E-M, DNB1000SP-E-3
15	* 4405010296	PER: DNB1500SP-E-M, DNB1500SP-E-3
18	* 4405010366	PER: DNB0750SP-E-M, DNB1000SP-E-M, DNB1000SP-E-3
18	* 4405010290	PER: DNB1500SP-E-M, DNB1500SP-E-3
20	* 4405010300	PER: DNB0750SP-E-M
20	* 4405010329	PER: DNB1000SP-E-M, DNB1000SP-E-3
20	* 4405010336	PER: DNB1500SP-E-M, DNB1500SP-E-3
26	* 56634R0475	PER: DNB0750SP-E-M
26	* 56635R0475	PER: DNB1000SP-E-3
26	* 56637R0475	PER: DNB1000SP-E-M
26	* 56638R0475	PER: DNB1500SP-E-3
26	* 56639R0475	PER: DNB1500SP-E-M

EINZELTEILE

ÜBER.: 0

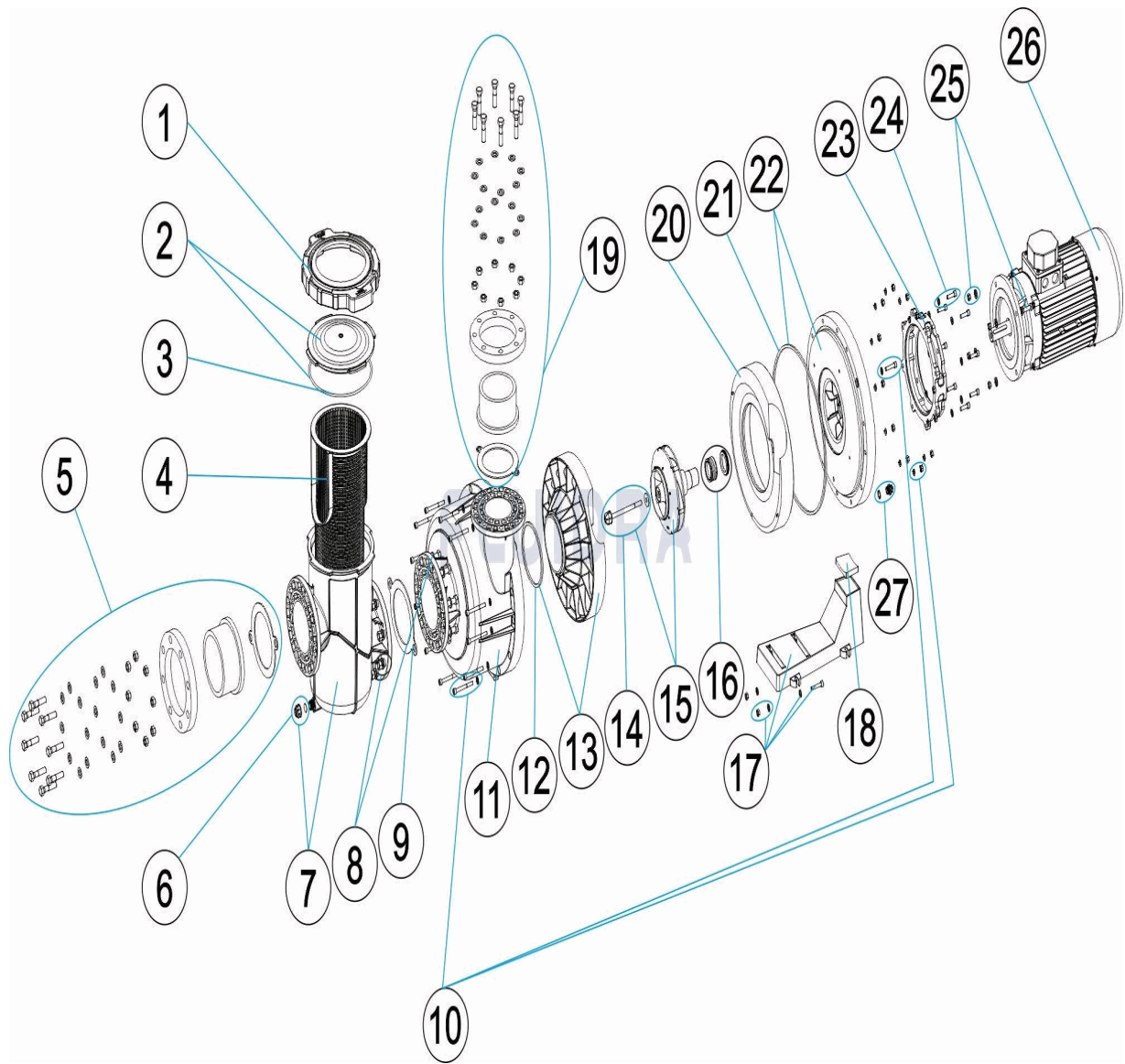
9200

DATUM: 21/06/2022

BLATT: 1/3

CODE **DNB0750SP-E-M, DNB1000SP-E-3, DNB1000SP-E-M, DNB1500SP-E-3, DNB1500SP-E-M**

BESCHREIBUNG: **PUMPE DANUBI**



DEUTSCH

POS	CODE	BESCHREIBUNG	MENGE	POS	CODE	BESCHREIBUNG	MENGE
1	4405010278	MUTTER VORFILTER 25 L		14	* 4405010297	STOPFEN LAUFRAD 7,5 - 10 HP	
2	4405010279	VORFILTERABDECKUNG 25 L UND DICHTL		14	* 4405010298	STOPFEN LAUFRAD 15 HP	
3	4405010280	O-RING VORFILTERDECKEL		15	* 4405010294	LAUFRAD 7,5 HP	
4	4405010281	VORFILTERKORB 25 L		15	* 4405010295	LAUFRAD 10 HP	
5	4405010683	ANSCHLUSSZUBEHÖR D. 160		15	* 4405010296	LAUFRAD 15 HP	
6	4405010283	SET STOPFEN ABLASS 3/4" BS "		16	4405010299	GLEITRINGDICHTUNG	
7	4405010282	GEHÄUSE VORFILTER 25 L		17	4405010288	PUMPENFUSS	
8	4405010286	SET VERBINDUNGSSCHRAUBEN VORFILT		18	* 4405010366	SCHWINGUNGSDÄMPFER 7,5 - 10 HP	
9	4405010284	FLACHDICHTUNG PP D160		18	* 4405010290	SCHWINGUNGSDÄMPFER 15 HP	
10	4405010287	SET VERBINDUNGSSCHRAUBEN GEHÄUS		19	4405010682	ANSCHLUSSZUBEHÖR D. 140	
11	4405010285	PUMPENGEHÄUSE		20	* 4405010300	SCHNECKE RECHTS 7,5 HP	
12	4405010289	FLACHDICHTUNG 186 X 170 X 6		20	* 4405010329	SCHNECKE RECHTS 10 HP	

* SIEHE ANMERKUGSBLATT

EINZELTEILE

ÜBER.: 0

9200

DATUM: 21/06/2022

BLATT: 2/3

CODE **DNB0750SP-E-M, DNB1000SP-E-3, DNB1000SP-E-M, DNB1500SP-E-3,
DNB1500SP-E-M**

BESCHREIBUNG: **PUMPE DANUBI**

13	* 4405010291	SCHNECKE LINKS 7,5 HP UND DICHTUNG	20	* 4405010336	SCHNECKE RECHTS 15 HP
13	* 4405010292	SCHNECKE LINKS 10 HP UND DICHTUNG	21	4405010365	O-RING VORFILTERDECKEL
13	* 4405010293	SCHNECKE LINKS 15 HP UND DICHTUNG	22	4405010385	GLEITRINGDICHTUNG SCHLIESSVORRICH
23	4405010386	MOTORFLANSCH LACKIERT	26	* 56637R0475	MOTOR 10 CV 400/690 V
24	4405010398	FIXIERSCHRAUBEN FLANSCH	26	* 56638R0475	MOTOR 15 CV. 230/400V
25	4405010399	SCHRAUBEN MOTORFLANSCH	26	* 56639R0475	MOTOR 15 CV 400/690 V
26	* 56634R0475	MOTOR 7,5 CV 400/690 V	27	4401043406	STOPFEN 1/2"
26	* 56635R0475	MOTOR 10 CV. 230/400V			

* SIEHE ANMERKUNGSBLATT

EINZELTEILE

ÜBER.: 0

9200

DATUM: 21/06/2022

BLATT: 3/3

CODE **DNB0750SP-E-M, DNB1000SP-E-3, DNB1000SP-E-M, DNB1500SP-E-3,
DNB1500SP-E-M**

BESCHREIBUNG: **PUMPE DANUBI**

HINWEISE

POS	CODE	HINWEISE
13	* 4405010291	FÜR: DNB0750SP-E-M
13	* 4405010292	FÜR: DNB1000SP-E-M, DNB1000SP-E-3
13	* 4405010293	FÜR: DNB1500SP-E-M, DNB1500SP-E-3
14	* 4405010297	FÜR: DNB0750SP-E-M, DNB1000SP-E-M, DNB1000SP-E-3
14	* 4405010298	FÜR: DNB1500SP-E-M, DNB1500SP-E-3
15	* 4405010294	FÜR: DNB0750SP-E-M
15	* 4405010295	FÜR: DNB1000SP-E-M, DNB1000SP-E-3
15	* 4405010296	FÜR: DNB1500SP-E-M, DNB1500SP-E-3
18	* 4405010366	FÜR: DNB0750SP-E-M, DNB1000SP-E-M, DNB1000SP-E-3
18	* 4405010290	FÜR: DNB1500SP-E-M, DNB1500SP-E-3
20	* 4405010300	FÜR: DNB0750SP-E-M
20	* 4405010329	FÜR: DNB1000SP-E-M, DNB1000SP-E-3
20	* 4405010336	FÜR: DNB1500SP-E-M, DNB1500SP-E-3
26	* 56634R0475	FÜR: DNB0750SP-E-M
26	* 56635R0475	FÜR: DNB1000SP-E-3
26	* 56637R0475	FÜR: DNB1000SP-E-M
26	* 56638R0475	FÜR: DNB1500SP-E-3
26	* 56639R0475	FÜR: DNB1500SP-E-M

ITEM

REV.: 0

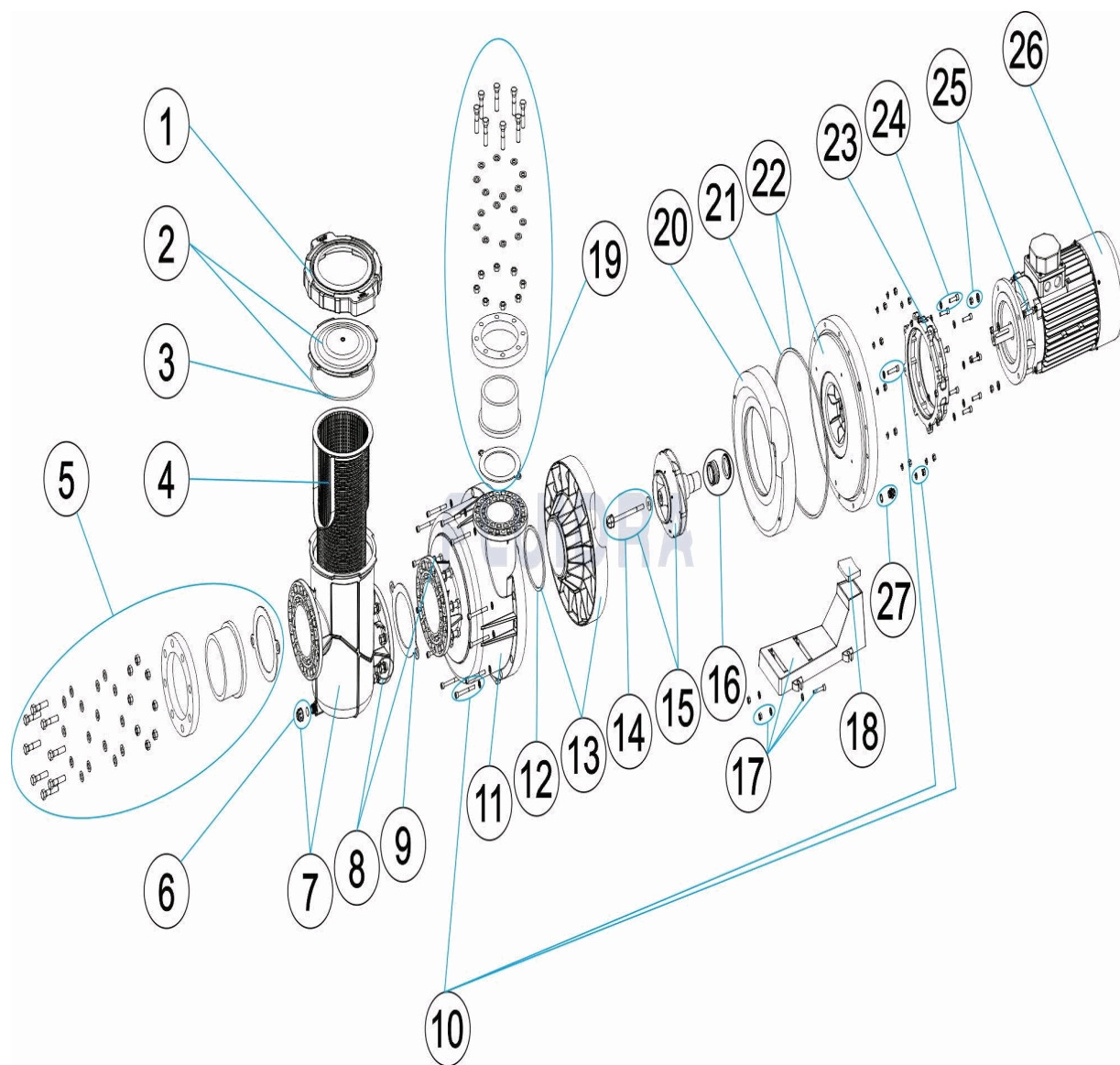
9200

DATA: 21/06/2022

FOLHA: 1/3

CODIGO **DNB0750SP-E-M, DNB1000SP-E-3, DNB1000SP-E-M, DNB1500SP-E-3, DNB1500SP-E-M**

DESCRIÇÃO: **BOMBA DANUBI**



PORTUGUES

POS	CODIGO	DESCRIÇÃO	JANTIDADE	POS	CODIGO	DESCRIÇÃO	JANTIDADE
1	4405010278	PORCA PRÉ-FILTRO 25 L.		14	* 4405010297	TAMPO RODIZIO 7,5-10 HP.	
2	4405010279	TAMPA PRÉ-FILTRO 25 L. + JUNTA		14	* 4405010298	TAMPO RODIZIO 15 HP.	
3	4405010280	JUNTA TÓRICA TAMPA PRÉ-FILTRO		15	* 4405010294	RODÍZIO 7,5 HP	
4	4405010281	CESTO PRÉ-FILTRO 25 L		15	* 4405010295	RODÍZIO 10 HP	
5	4405010683	ACESSÓRIOS DE UNIÃO D-160		15	* 4405010296	RODÍZIO 15 HP	
6	4405010283	CJTO. TAMPÃO PURGA 3/4" BS "		16	4405010299	JUNTA MECÂNICA	
7	4405010282	CORPO PRÉ-FILTRO 25 L.		17	4405010288	PÉ BOMBA	
8	4405010286	CJTO. PARAFUSOS UNIÃO PRÉ-FILTRO		18	* 4405010366	SILENT-BLOCK 7,5 A 10 HP.	
9	4405010284	JUNTA PLANA PP D160		18	* 4405010290	SILENT-BLOCK 15 HP.	
10	4405010287	CONJ.PARAFUSOS DE FIXAÇÃO DO CORP		19	4405010682	ACESSÓRIOS DE UNIÃO D-140	
11	4405010285	CORPO BOMBA		20	* 4405010300	VOLUTA DIREITA 7,5 HP.	
12	4405010289	BUCHA BORRACHA 186X170X6		20	* 4405010329	VOLUTA DIREITA 10 HP.	

* VEJA A FICHA DE OBSERVAÇÕES

ITEM

REV.: 0

9200

DATA: 21/06/2022

FOLHA: 2/3

CODIGO **DNB0750SP-E-M, DNB1000SP-E-3, DNB1000SP-E-M, DNB1500SP-E-3,
DNB1500SP-E-M**

DESCRIÇÃO: **BOMBA DANUBI**

13	* 4405010291	VOLUTA ESQUERDA 7,5 HP. + JUNTA	20	* 4405010336	VOLUTA DIREITA 15 HP.
13	* 4405010292	VOLUTA ESQUERDA 10 HP. + JUNTA	21	4405010365	JUNTA TÓRICA TAMPA PRÉ-FILTRO
13	* 4405010293	VOLUTA ESQUERDA 15 HP. + JUNTA	22	4405010385	FLANGE FECHO MECÂNICO + JUNTA
23	4405010386	FLANGE MOTOR PINTADA	26	* 56637R0475	MOTOR 10 CV. 400/690V.
24	4405010398	PARAFUSOS FIXAÇÃO FLANGE	26	* 56638R0475	MOTOR 15 HP 230/400V
25	4405010399	PARAFUSOS FLANGE MOTOR	26	* 56639R0475	MOTOR 15 CV. 400/690V.
26	* 56634R0475	MOTOR 7,5 HP 230/400V	27	4401043406	TAMPÃO 1/2"
26	* 56635R0475	MOTOR 10 HP 230/400V			

* VEJA A FICHA DE OBSERVAÇÕES

ITEM

REV.: 0

9200

DATA: 21/06/2022

FOLHA: 3/3

CODIGO **DNB0750SP-E-M, DNB1000SP-E-3, DNB1000SP-E-M, DNB1500SP-E-3,
DNB1500SP-E-M**

DESCRIÇÃO: **BOMBA DANUBI**

OBSERVAÇÕES

POS	CODIGO	OBSERVAÇÕES
13	* 4405010291	PARA: DNB0750SP-E-M
13	* 4405010292	PARA: DNB1000SP-E-M, DNB1000SP-E-3
13	* 4405010293	PARA: DNB1500SP-E-M, DNB1500SP-E-3
14	* 4405010297	PARA: DNB0750SP-E-M, DNB1000SP-E-M, DNB1000SP-E-3
14	* 4405010298	PARA: DNB1500SP-E-M, DNB1500SP-E-3
15	* 4405010294	PARA: DNB0750SP-E-M
15	* 4405010295	PARA: DNB1000SP-E-M, DNB1000SP-E-3
15	* 4405010296	PARA: DNB1500SP-E-M, DNB1500SP-E-3
18	* 4405010366	PARA: DNB0750SP-E-M, DNB1000SP-E-M, DNB1000SP-E-3
18	* 4405010290	PARA: DNB1500SP-E-M, DNB1500SP-E-3
20	* 4405010300	PARA: DNB0750SP-E-M
20	* 4405010329	PARA: DNB1000SP-E-M, DNB1000SP-E-3
20	* 4405010336	PARA: DNB1500SP-E-M, DNB1500SP-E-3
26	* 56634R0475	PARA: DNB0750SP-E-M
26	* 56635R0475	PARA: DNB1000SP-E-3
26	* 56637R0475	PARA: DNB1000SP-E-M
26	* 56638R0475	PARA: DNB1500SP-E-3
26	* 56639R0475	PARA: DNB1500SP-E-M