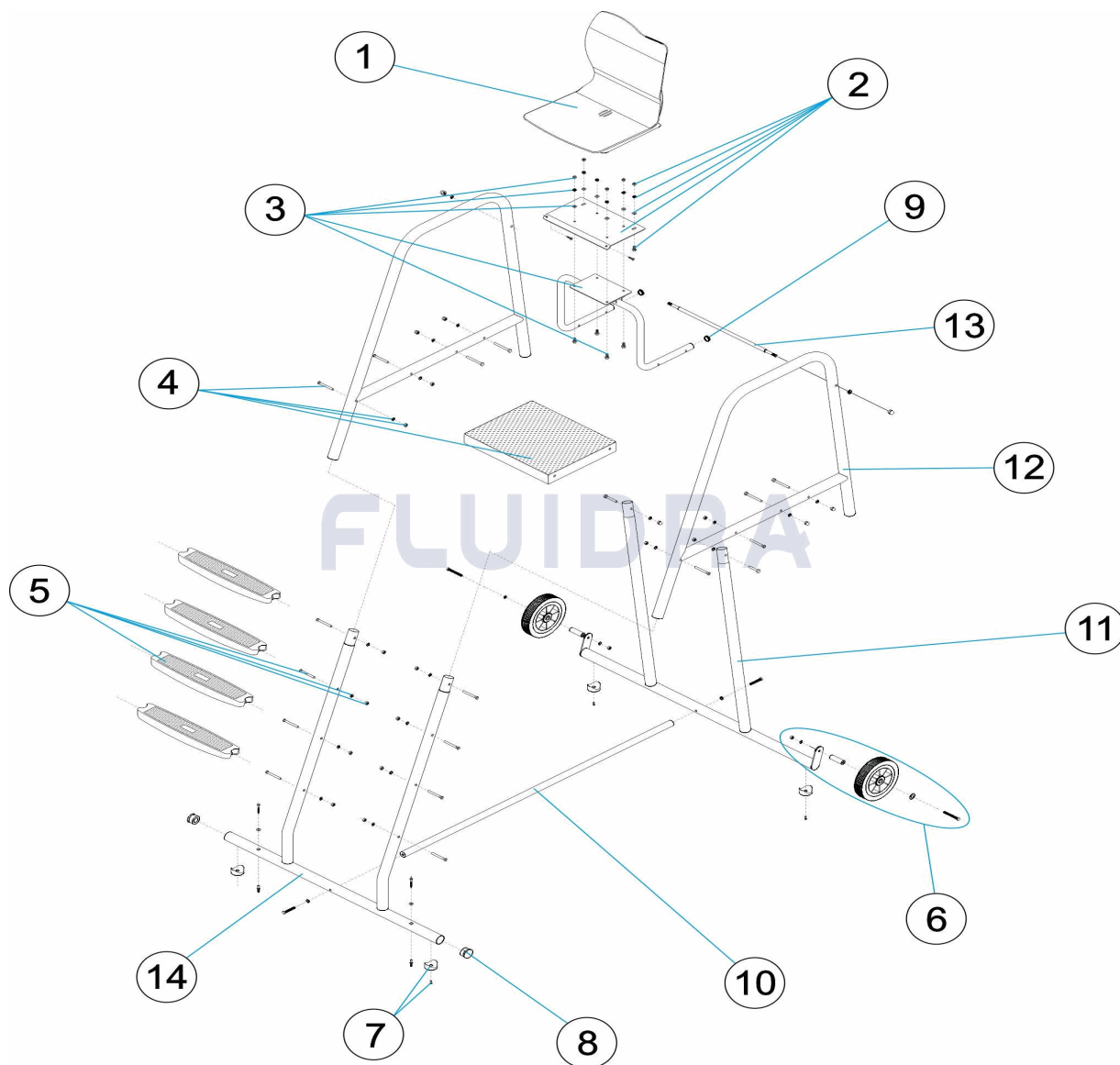


CODIGO **56993**

DESCRIPCION: **SILLA SOCORRISTA**

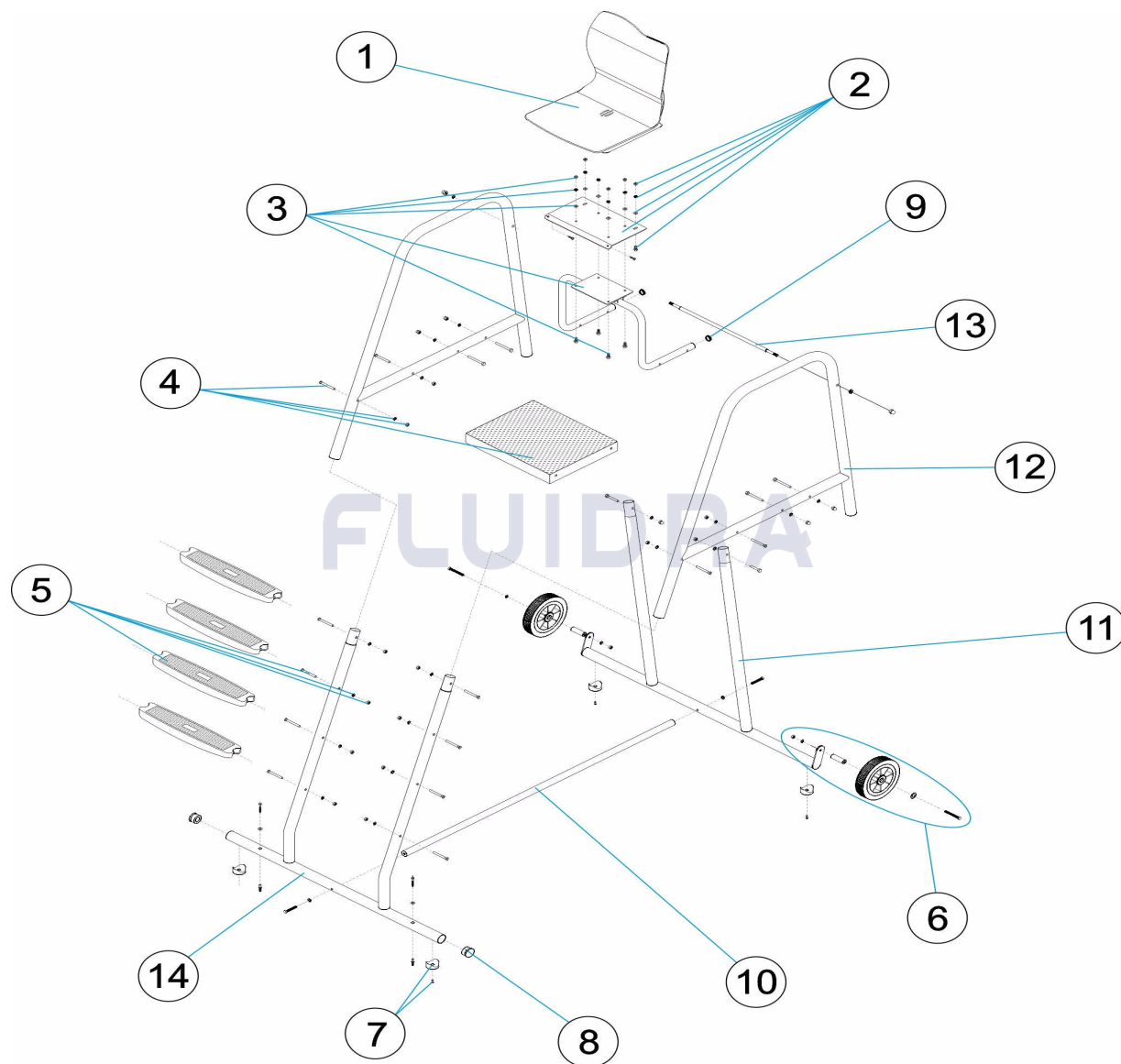


ESPAÑOL

POS	CODIGO	DESCRIPCION	CANTIDAD	POS	CODIGO	DESCRIPCION	CANTIDAD
1	4401070020	ASIENTO		8	4401070208	TAPON D.43	
2	4401070019	PLACA ASIENTO		9	4401060113	TAPON AGARRADERAS	
3	4401070203	SOPORTE ASIENTO		10	08730R0100	TUBO CENTRAL	
4	4401070201	PLATAFORMA SILLA SOCORRISTA		11	18164R0300	PARTE TRASERA SILLA PARTIDA	
5	4401010026	PELDAÑO PLASTICO 500 INCLINADO A4		12	18164R0100	PUENTE SILLA PARTIDA USA	
6	4401070017	CJTO. RUEDA		13	00109R0005	EJE UNION ESTRUCTURA	
7	4401070018	ANILLO CONCAVO		14	18164R0200	PARTE DELANTERA SILLA PARTIDA	

CODE 56993

DESCRIPTION: FAUTEUIL DE SURVEILLANCE

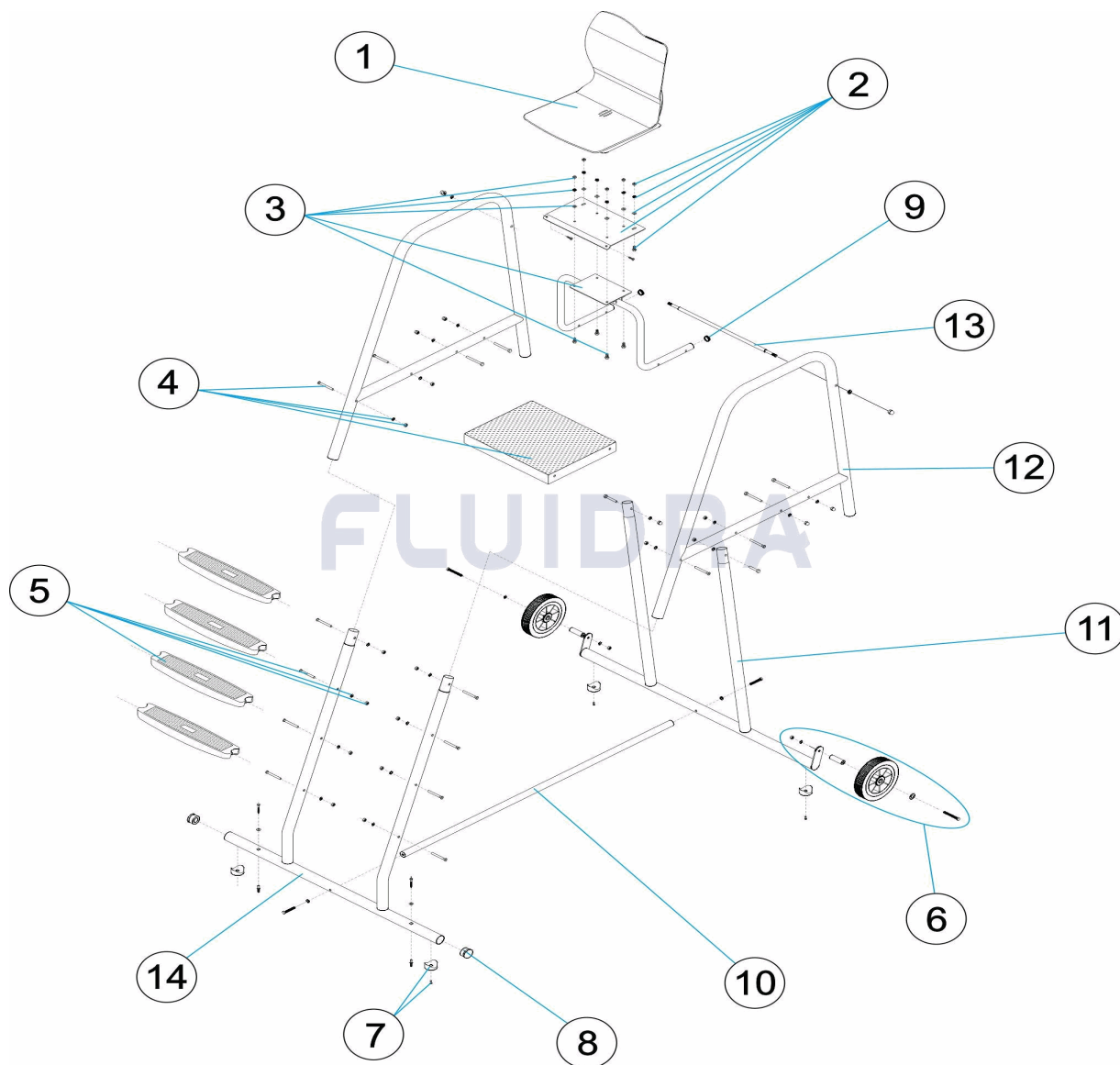


FRANCAIS

POS	CODE	DESCRIPTION	QUANTITE	POS	CODE	DESCRIPTION	QUANTITE
1	4401070020	SIÈGE		8	4401070208	BOUCHON D.43	
2	4401070019	PLAQUE SUPPORT DE SIEGE		9	4401060113	BOUCHON POUR MAIN COURANTE	
3	4401070203	SUPPORT DE SIEGE		10	08730R0100	TUBE CENTRAL	
4	4401070201	PLATE-FORME DE FAUTEUIL DE SURVEILL		11	18164R0300	PARTIE ARRIÈRE CHAISE	
5	4401010026	MARCHE PLASTIQUE LARG 500 INCLINÉE		12	18164R0100	TRaverse CHAISE USA	
6	4401070017	ENSEMBLE ROUE		13	00109R0005	AXE D'ASSEMBLAGE DE STRUCTURE	
7	4401070018	ANNEAU FIXATION		14	18164R0200	PARTIE AVANT CHAISE	

CODE **56993**

DESCRIPTION: **LIFE GUARD CHAIR**

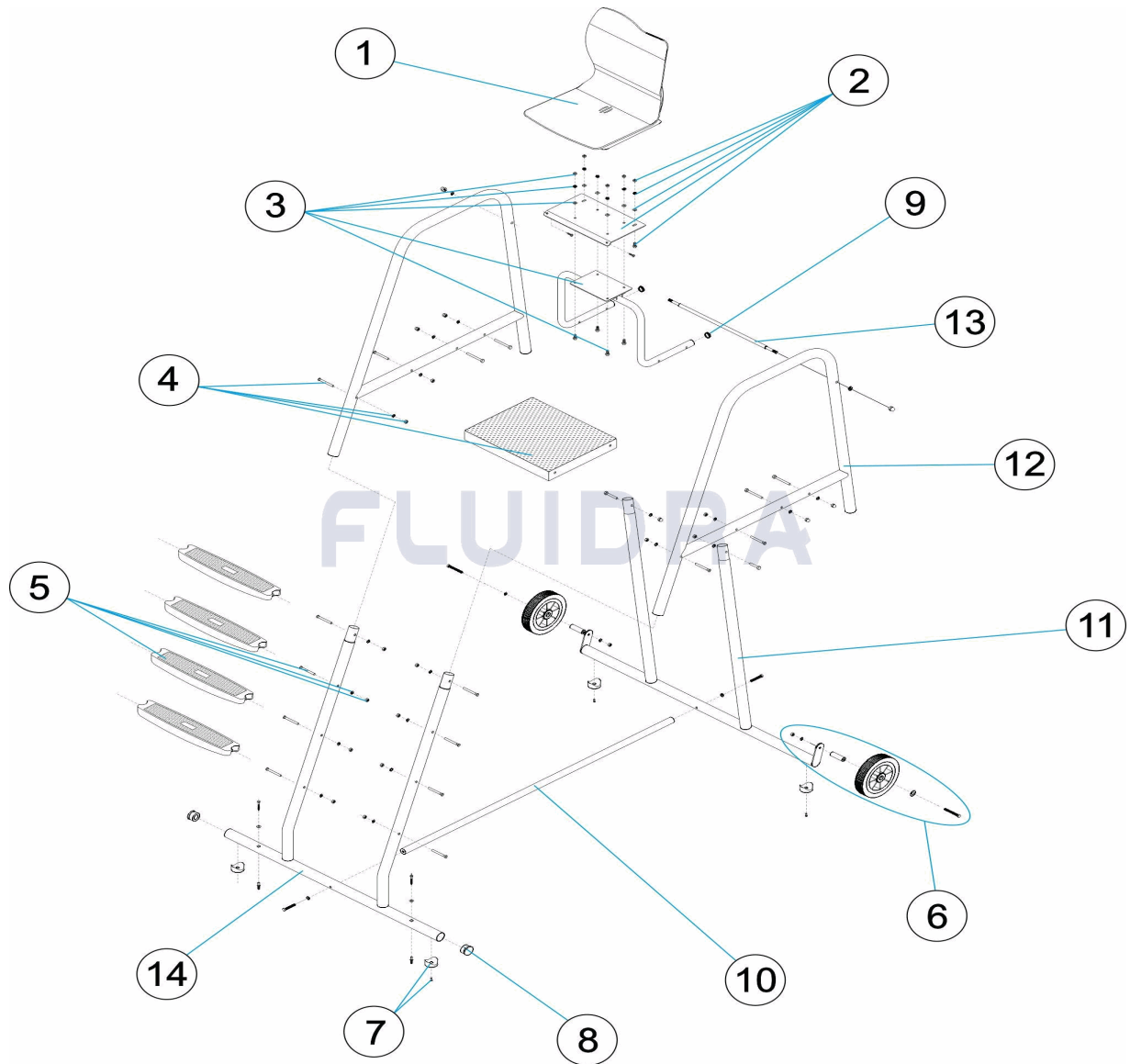


ENGLISH

POS	CODE	DESCRIPTION	QUANTITY	POS	CODE	DESCRIPTION	QUANTITY
1	4401070020	SEAT		8	4401070208	PLUG D.43	
2	4401070019	CHAIR PLATE		9	4401060113	GRABRAIL CAP	
3	4401070203	CHAIR SUPPORT		10	08730R0100	CENTRAL TUBE	
4	4401070201	LIFEGUARD PLATFORM		11	18164R0300	REAR PART SEAT	
5	4401010026	ANGLED PLASTIC TREAD 500 A4		12	18164R0100	BRIDGE SEAT USA	
6	4401070017	WHEEL KIT		13	00109R0005	JOINT AXLE STRUCTURE	
7	4401070018	SHOE RING		14	18164R0200	FRONT PART SEAT	

CODICE 56993

DESCRIZIONE: SEDIA BAGNINO

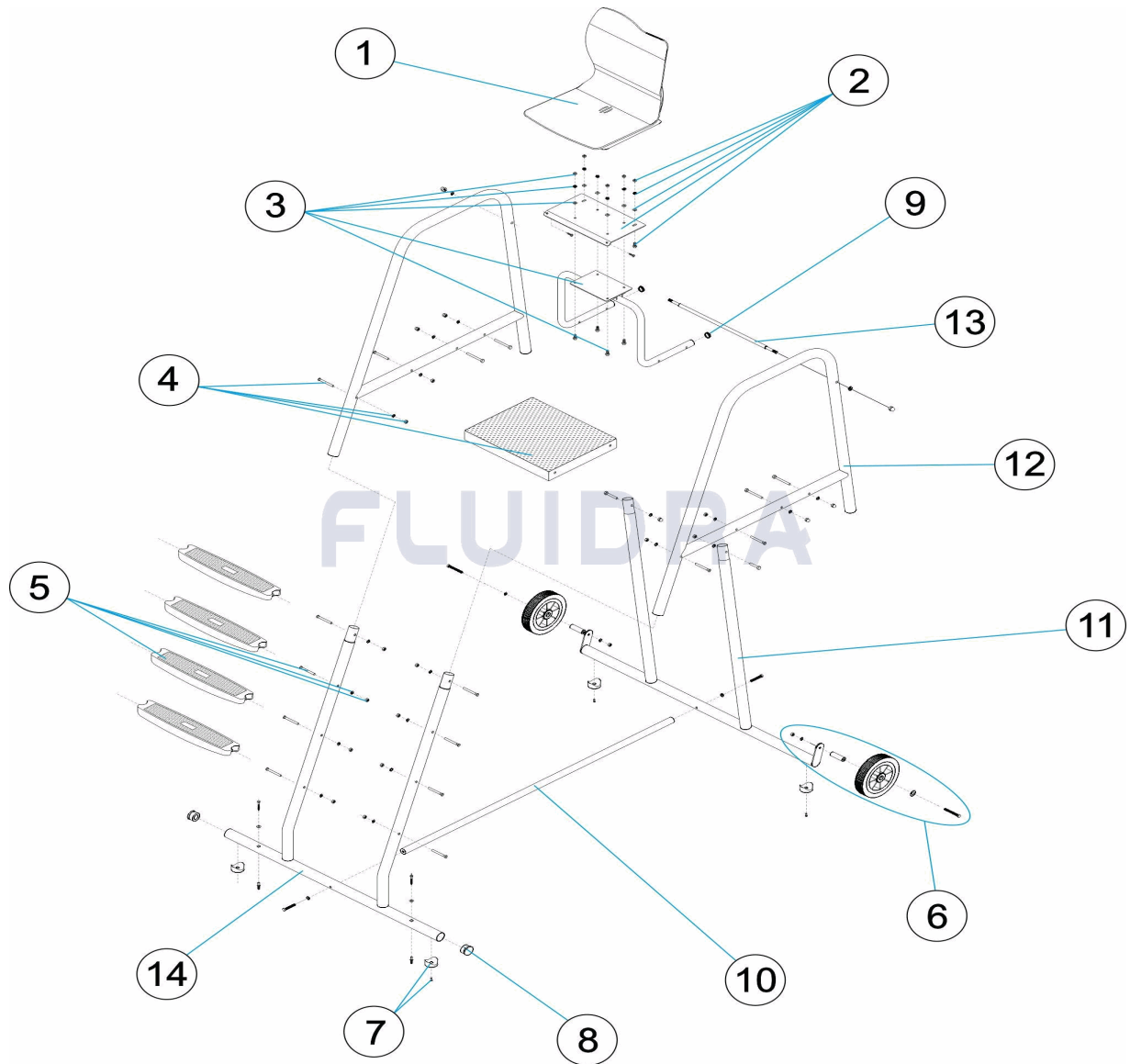


ITALIANO

POS	CODICE	DESCRIZIONE	QUANTITA'	POS	CODICE	DESCRIZIONE	QUANTITA'
1	4401070020	SEIDA		8	4401070208	TAPPO D.43	
2	4401070019	PIASTRA SEGGIOLA		9	4401060113	TAPPO CORRIMANO	
3	4401070203	SUPPORTO SEGGIOLA		10	08730R0100	TUBO CENTRALE	
4	4401070201	PIATTAFORMA		11	18164R0300	PARTE POSTERIORE SEDIA	
5	4401010026	GRADINO IN PLASTICA DA 500 INCLINATO		12	18164R0100	PONTE SEDIA USA	
6	4401070017	CONGIUNTO RUOTA		13	00109R0005	ASSE D'UNIONE STRUTTURA	
7	4401070018	ANELLO FISSAGGIO		14	18164R0200	PARTE ANTERIORE SEDIA	

CODE 56993

BESCHREIBUNG: RETTUNGSSCHWIMMERSITZ

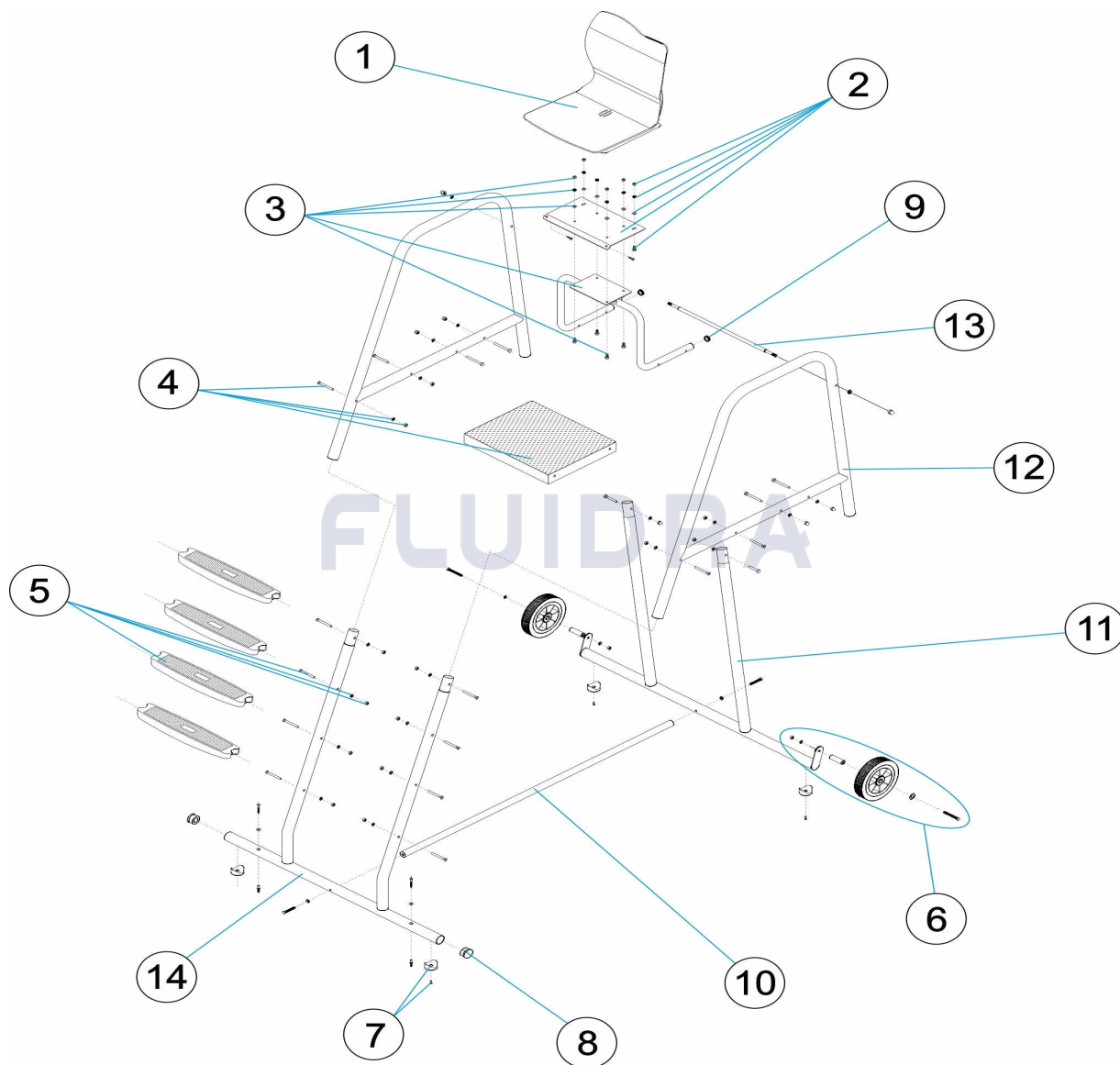


DEUTSCH

POS	CODE	BESCHREIBUNG	MENGE	POS	CODE	BESCHREIBUNG	MENGE
1	4401070020	SITZ		8	4401070208	STOPFEN D.43	
2	4401070019	PLATINE SITZ		9	4401060113	STOPFEN HALTEGRIFFE	
3	4401070203	HALTERUNG SITZ		10	08730R0100	MITTLERES ROHR	
4	4401070201	PLATTFORM RETTUNGSSCHWIMMERSITZ		11	18164R0300	HINTERTEIL HOCHSITZ	
5	4401010026	STUFE KUNSTSTOFF 500 GENEIGT A4		12	18164R0100	BRÜCKE HOCHSITZ USA	
6	4401070017	SET RAD		13	00109R0005	VERBINDUNGSACHSE STRUKTUR	
7	4401070018	KONKAVER RING		14	18164R0200	VORDERTEIL HOCHSITZ	

CODIGO **56993**

DESCRIÇÃO: **CADEIRA SOCORRISTA**



PORTUGUES

POS	CODIGO	DESCRIÇÃO	JANTIDADE	POS	CODIGO	DESCRIÇÃO	JANTIDADE
1	4401070020	CADEIRA		8	4401070208	TAMPÃO D.43	
2	4401070019	PLACA ASSENTO		9	4401060113	TAMPAO DA AGARRADEIRA	
3	4401070203	SUPORTE ASSENTO		10	08730R0100	TUBO CENTRAL	
4	4401070201	PLATAFORMA CADEIRA SOCORRISTA		11	18164R0300	PARTE TRASEIRA CADEIRA	
5	4401010026	DEGRAU PLÁSTICO 500 INCLINADO A4		12	18164R0100	PONTE CADEIRA USA	
6	4401070017	CJTO. RODA		13	00109R0005	EIXO UNIÃO ESTRUTURA	
7	4401070018	ANEL DE FIXAÇÃO		14	18164R0200	PARTE FRONTAL CADEIRA	