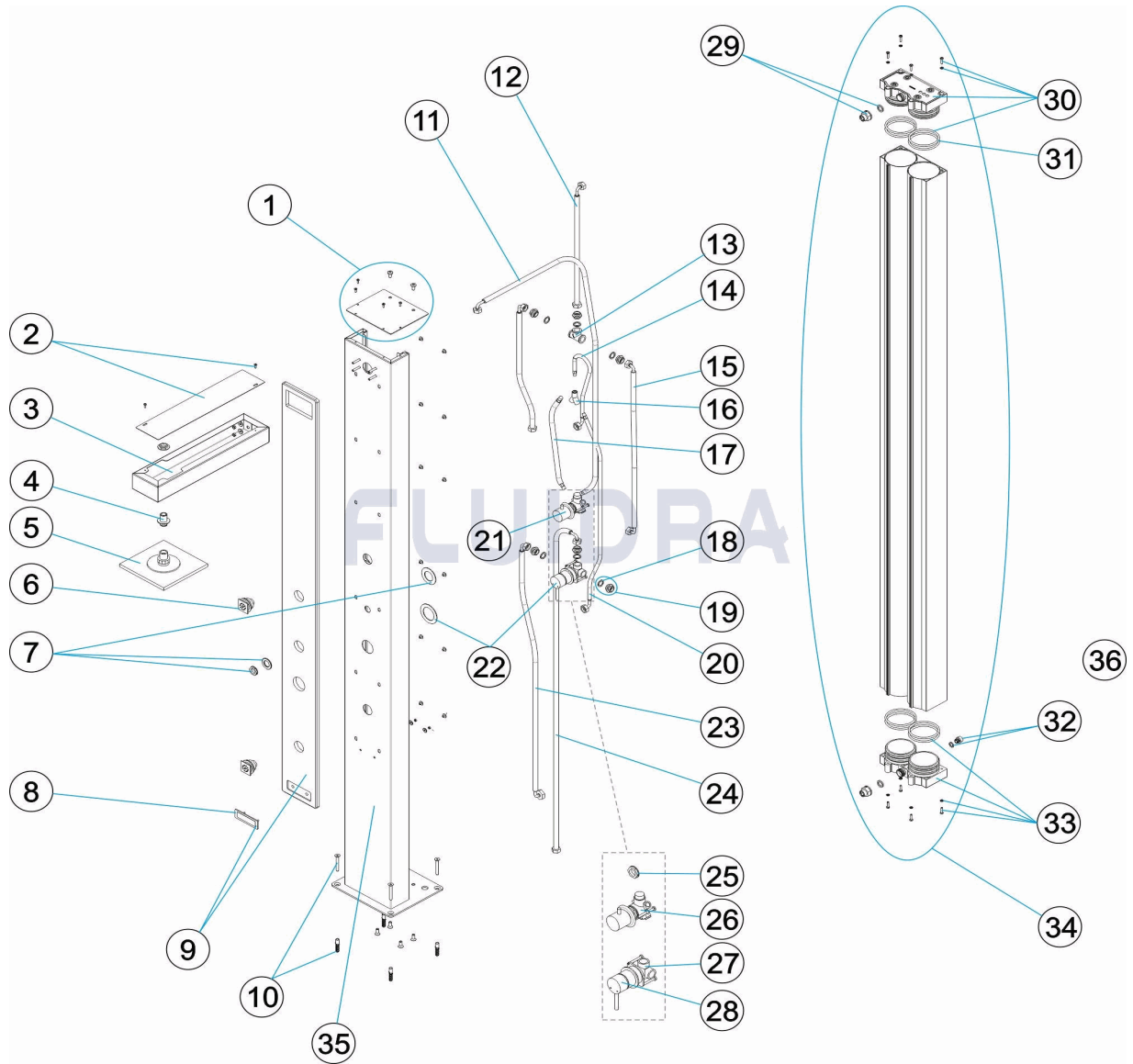


CODIGO **56933**

DESCRIPCION: **DUCHA SOLAR IGUAZU**



ESPAÑOL

| POS | CODIGO | DESCRIPCION | CANTIDAD | POS | CODIGO | DESCRIPCION | CANTIDAD |
|-----|------------|--|----------|-----|------------|--|----------|
| 1 | 4401040179 | TAPA CUERPO | | 16 | 4401040189 | CONEXION EN Y M 10 H -M 10H - M12 H | |
| 2 | 4401040061 | TAPA BRAZO | | 17 | 4401040186 | LATIGUILLO M 12 M - M 12 M L=400M/M. | |
| 3 | 4401040213 | BRAZO DUCHA | | 18 | 4401040204 | JUNTA PLANA | |
| 4 | 4401043205 | PASAMUROS | | 19 | 4401040182 | CONEXION SALIDA TAPON | |
| 5 | 4401043203 | PIÑA ORIENTABLE | | 20 | 4401040068 | LATIGUILLO 1/2" H. CODO M-10 M. L=800" | |
| 6 | 4401040062 | BOQUILLA NEBULIZADA | | 21 | 4401040184 | DESVIADOR | |
| 7 | 4401040117 | TE D.22 | | 22 | 4401040221 | VALVULA MONOMANDO | |
| 8 | 4401040064 | EMBELLECEDOR LOGO AP | | 23 | 4401040222 | LATIGUILLO CODO 1/2" H. - CODO 1/2" H. L- | |
| 9 | 4401040196 | FRONTAL EMBELLECEDOR CORIAN | | 24 | 4401040217 | LATIGUILLO CODO 1/2" H. - 1/2" H. L=1300 M | |
| 10 | 4401043210 | FIJACION CUERPO | | 25 | 4401040283 | TUERCA VALVULA | |
| 11 | 4401040185 | LATIGUILLO CODO 1/2" H. - 12/100 L=1400I | | 26 | 4401040214 | CARTUCHO DISTRIBUIDOR | |
| 12 | 4401040190 | LATIGUILLO CODO 1/2" H - 1/2" H L=450M/I | | 27 | 4401040216 | CARTUCHO VALVULA CAUDAL | |
| 13 | 4401041408 | TE 1/2" | | 28 | 4401040284 | MANETA DISTRIBUIDORA | |

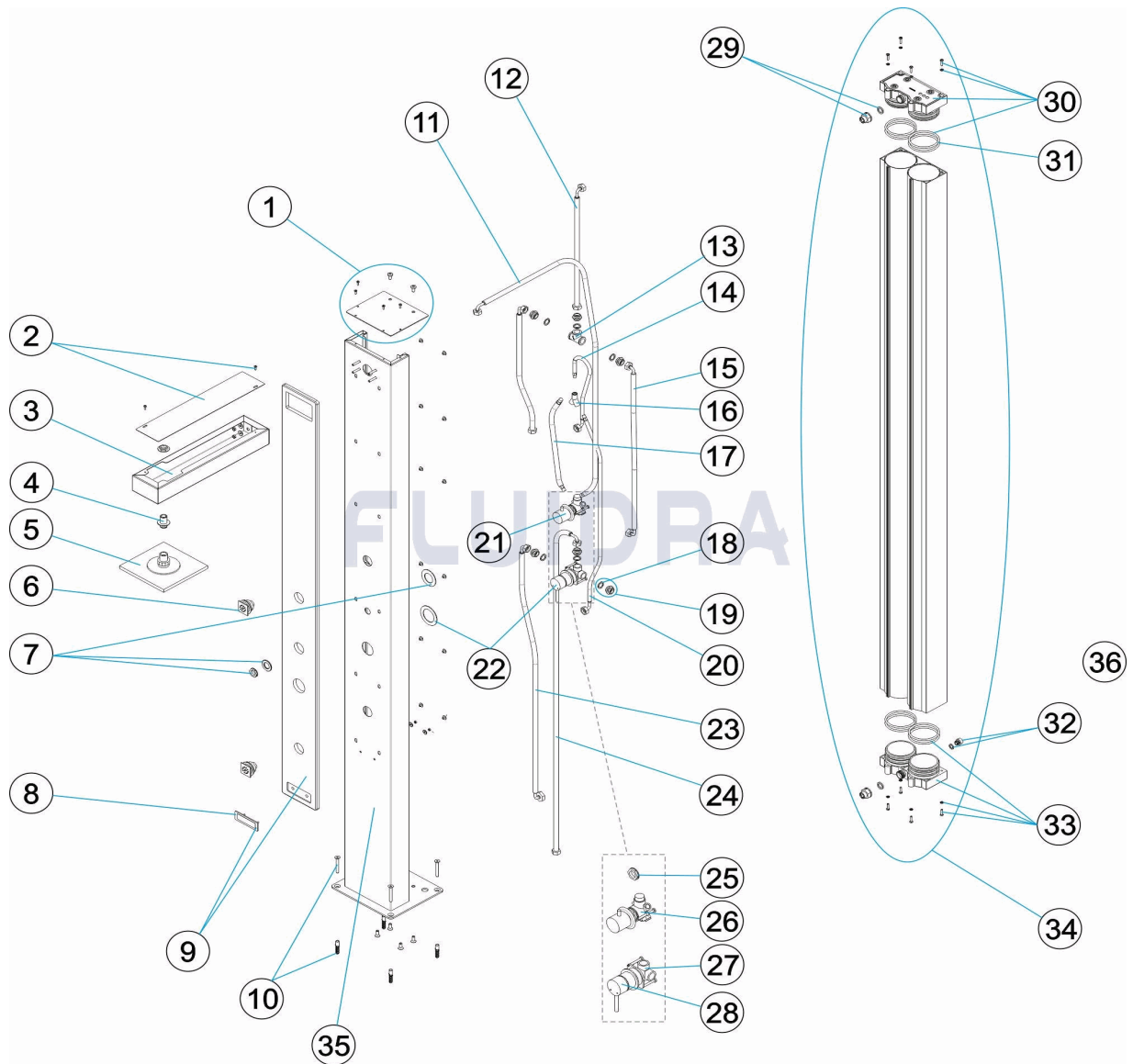
CODIGO **56933**

DESCRIPCION: **DUCHA SOLAR IGUAZU**

| | | | | | |
|----|------------|--|----|------------|----------------------|
| 14 | 4401043614 | LATIGUILLO 1/2" HEMBRA + M-10 MACHO L | 29 | 4401040218 | RACORD M 1/2" - 3/4" |
| 15 | 4401040188 | LATIGUILLO CODO 1/2" H - M 10 M L=400M | 30 | 4401040219 | CJTO. TAPON SUPERIOR |
| 31 | 4401040178 | JUNTA TORICA TAPON | 34 | 4401040195 | CJTO. DEPOSITO |
| 32 | 4401040175 | TAPON PURGA 1/4" | 35 | 56933R0100 | CUERPO DUCHA |
| 33 | 4401040220 | CJTO. TAPON INFERIOR | | | |

CODE 56933

DESCRIPTION: DOUCHE SOLAIRE IGUAZU



FRANCAIS

| POS | CODE | DESCRIPTION | QUANTITE | POS | CODE | DESCRIPTION | QUANTITE |
|-----|------------|---------------------------------------|----------|-----|------------|--|----------|
| 1 | 4401040179 | COUVERCLE CORPS | | 16 | 4401040189 | RACCORD EN Y M 10 H - M 10H - M12 H | |
| 2 | 4401040061 | CACHE BRAS | | 17 | 4401040186 | FLEXIBLE M 12 M - M 12 M L=400M/M. | |
| 3 | 4401040213 | BRAS DE DOUCHE | | 18 | 4401040204 | JOINT PLAT | |
| 4 | 4401043205 | TRAVERSÉE DE PAROIS | | 19 | 4401040182 | RACCORD SORTIE | |
| 5 | 4401043203 | POMME DE DOUCHE ORIENTABLE | | 20 | 4401040068 | FLEXIBLE 1/2" H. CODO M-10 M. L=800" | |
| 6 | 4401040062 | BUSE NÉBULISATION | | 21 | 4401040184 | DÉVIATION | |
| 7 | 4401040117 | TE D.22 | | 22 | 4401040221 | ROBINET MITIGEUR | |
| 8 | 4401040064 | ENJOLIVEUR ASTRAL | | 23 | 4401040222 | TUYAU CODO 1/2" H. - CODO 1/2" H. L=1000 | |
| 9 | 4401040196 | CACHE FRONTAL ENJOLIVEUR CORIAN | | 24 | 4401040217 | TUYAU CODO 1/2" H. - 1/2" H. L=1300 M/M' | |
| 10 | 4401043210 | FIXATION CORP DE DOUCHE | | 25 | 4401040283 | ÉCROU DE VANNE | |
| 11 | 4401040185 | TUYAU CODO 1/2" H. - 12/100 L=1400M/M | | 26 | 4401040214 | CARTOUCHE DISTRIBUTEUR | |
| 12 | 4401040190 | TUYAU CODO 1/2" H - 1/2" H L=450M/M " | | 27 | 4401040216 | CARTOUCHE VALVE FLOW | |
| 13 | 4401041408 | TE 1/2' | | 28 | 4401040284 | POIGNEE DISTRIBUTEUR | |

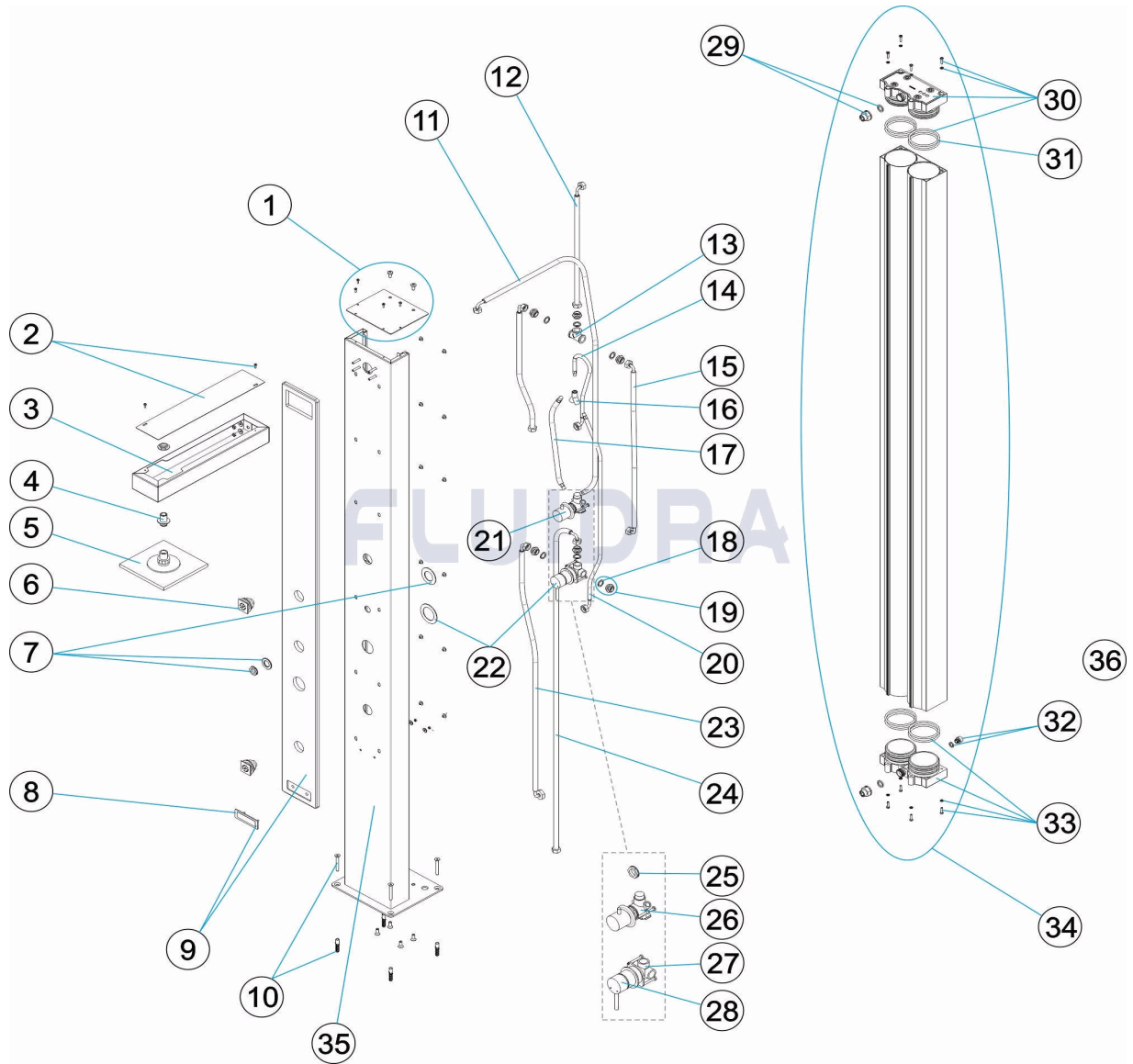
CODE **56933**

DESCRIPTION: **DOUCHE SOLAIRE IGUAZU**

| | | | | | |
|----|------------|---------------------------------------|----|------------|------------------------|
| 14 | 4401043614 | TUYAU 1/2" FEMELLE + M-10 MÂLE L=400" | 29 | 4401040218 | RACCORD M 1/2" - 3/4" |
| 15 | 4401040188 | TUYAU CODO 1/2" H - M 10 M L=400M/M " | 30 | 4401040219 | ENS. BOUCHON SUPÉRIEUR |
| 31 | 4401040178 | JOINT TORIQUE BOUCHON | 34 | 4401040195 | ENSEMBLE RÉSERVOIR |
| 32 | 4401040175 | BOUCHON DE PURGUE 1/4" | 35 | 56933R0100 | CORPS DOUCHE |
| 33 | 4401040220 | ENS. BOUCHON INFÉRIEUR | | | |

CODE **56933**

DESCRIPTION: **IGUAZU SOLAR SHOWER**



ENGLISH

| POS | CODE | DESCRIPTION | QUANTITY | POS | CODE | DESCRIPTION | QUANTITY |
|-----|------------|---|----------|-----|------------|--|----------|
| 1 | 4401040179 | COVER FOR UNIT | | 16 | 4401040189 | Y CONNECTOR M 10 H - M 10 H - M 12 H | |
| 2 | 4401040061 | LID SHOWER ARM | | 17 | 4401040186 | HOSE M 12 M - M 12 M L=400M/M | |
| 3 | 4401040213 | SHOWER ARM | | 18 | 4401040204 | FLAT GASKET | |
| 4 | 4401043205 | WALL CONDUIT | | 19 | 4401040182 | OUTLET CONNECTION | |
| 5 | 4401043203 | GUIDABLE SHOWER | | 20 | 4401040068 | 1/2" H. CODO M-10 M. L=800 CABL " | |
| 6 | 4401040062 | NEBULISER NOZZLE | | 21 | 4401040184 | DIVERTER | |
| 7 | 4401040117 | D.22 'TE ' | | 22 | 4401040221 | SINGLE LEVER VALVE | |
| 8 | 4401040064 | LOGO TRIM | | 23 | 4401040222 | CODO 1/2" H. - CODO 1/2" H. L=1000 M/M. L: | |
| 9 | 4401040196 | DECORATIVE FASCIA CORIAN | | 24 | 4401040217 | CODO 1/2" H. - 1/2" H. L=1300 M/M. FLEXIB | |
| 10 | 4401043210 | SHOWER ARM | | 25 | 4401040283 | VALVE NUT | |
| 11 | 4401040185 | CODO 1/2" H. - 12/100 L=1400M/M. L=1400 | | 26 | 4401040214 | CARTRIDGE DISTRIBUTOR | |
| 12 | 4401040190 | CODO 1/2" H - 1/2" H L=450M/M. FLEXIBLI | | 27 | 4401040216 | CARTRIDGE VALVE FLOW | |
| 13 | 4401041408 | 1/2' 'TE ' | | 28 | 4401040284 | DISTRIBUTOR HANDLE | |

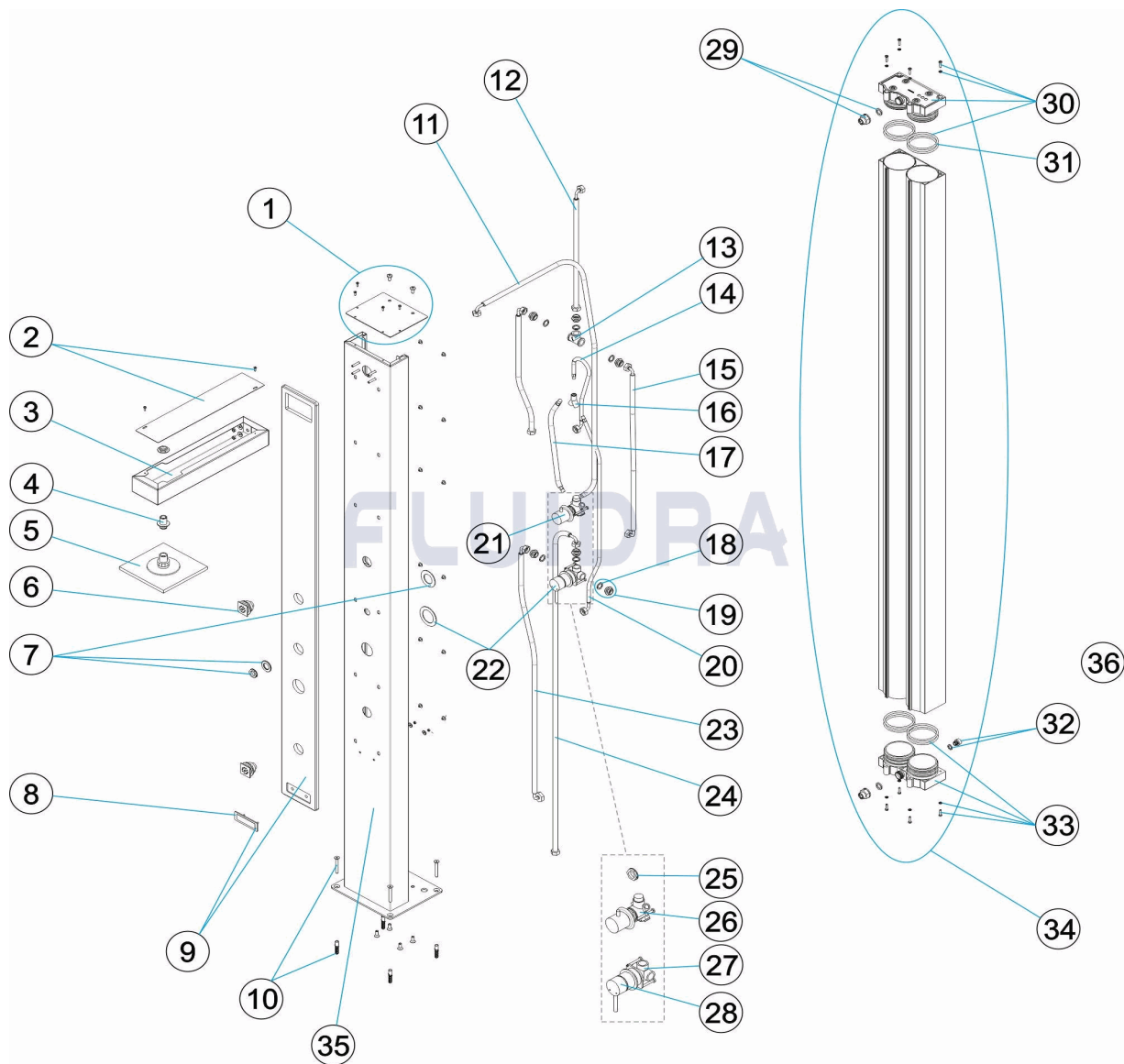
CODE **56933**

DESCRIPTION: **IGUAZU SOLAR SHOWER**

| | | | | | |
|----|------------|--|----|------------|------------------------|
| 14 | 4401043614 | FLEXIBLE HOSE 1/2" FEMALE + M-10 MALI | 29 | 4401040218 | COUPLING M 1/2" - 3/4" |
| 15 | 4401040188 | CODO 1/2" H - M 10 M L=400M/M. FLEXIBL | 30 | 4401040219 | TOP CAP ASSEMBLY |
| 31 | 4401040178 | O-RING CAP | 34 | 4401040195 | TANK GROUP |
| 32 | 4401040175 | DRAINING PLUG 1/4" | 35 | 56933R0100 | SHOWER UNIT |
| 33 | 4401040220 | BOTTOM CAP ASSEMBLY | | | |

CODICE **56933**

DESCRIZIONE: **DOCCIA SOLARE IGUAZU**



ITALIANO

| POS | CODICE | DESCRIZIONE | QUANTITA' | POS | CODICE | DESCRIZIONE | QUANTITA' |
|-----|------------|--|-----------|-----|------------|--|-----------|
| 1 | 4401040179 | COPERCHIO CORPO | | 16 | 4401040189 | CONNESSIONE EN Y M 10 H - M 10H - M12 F | |
| 2 | 4401040061 | TAPPO BRACCIO | | 17 | 4401040186 | TUBICINO M 12 M - M 12 M L=400M/M. | |
| 3 | 4401040213 | BRACCIO DOCCIA | | 18 | 4401040204 | GUARNIZIONE PIANA | |
| 4 | 4401043205 | PASSANTI A MURO | | 19 | 4401040182 | CONNESSIONE D'USCITA | |
| 5 | 4401043203 | DIFFUSORE ORIENTABILE | | 20 | 4401040068 | CAVETTO 1/2" H. CODO M-10 M. L=800" | |
| 6 | 4401040062 | BOCCHETTA NEBULIZZATA | | 21 | 4401040184 | DEVIATORE | |
| 7 | 4401040117 | T' D.22 | | 22 | 4401040221 | VALVOLA MONOMANDO | |
| 8 | 4401040064 | FLANGIA ASTRAL | | 23 | 4401040222 | SPINOTTO CODO 1/2" H. - CODO 1/2" H. L=1 | |
| 9 | 4401040196 | FRONTALINO CORIAN | | 24 | 4401040217 | SPINOTTO CODO 1/2" H. - 1/2" H. L=1300 M | |
| 10 | 4401043210 | FISSAGGIO CORPO | | 25 | 4401040283 | GHIERA VALVOLA | |
| 11 | 4401040185 | SPINOTTO CODO 1/2" H. - 12/100 L=1400M | | 26 | 4401040214 | CARTUCCIA DISTRIBUTORE | |
| 12 | 4401040190 | SPINOTTO CODO 1/2" H - 1/2" H L=450M/I | | 27 | 4401040216 | CARTUCCIA VALVOLA FLUSSO | |
| 13 | 4401041408 | T' 1/2' | | 28 | 4401040284 | MANIGLIA DISTRIBUTORE | |

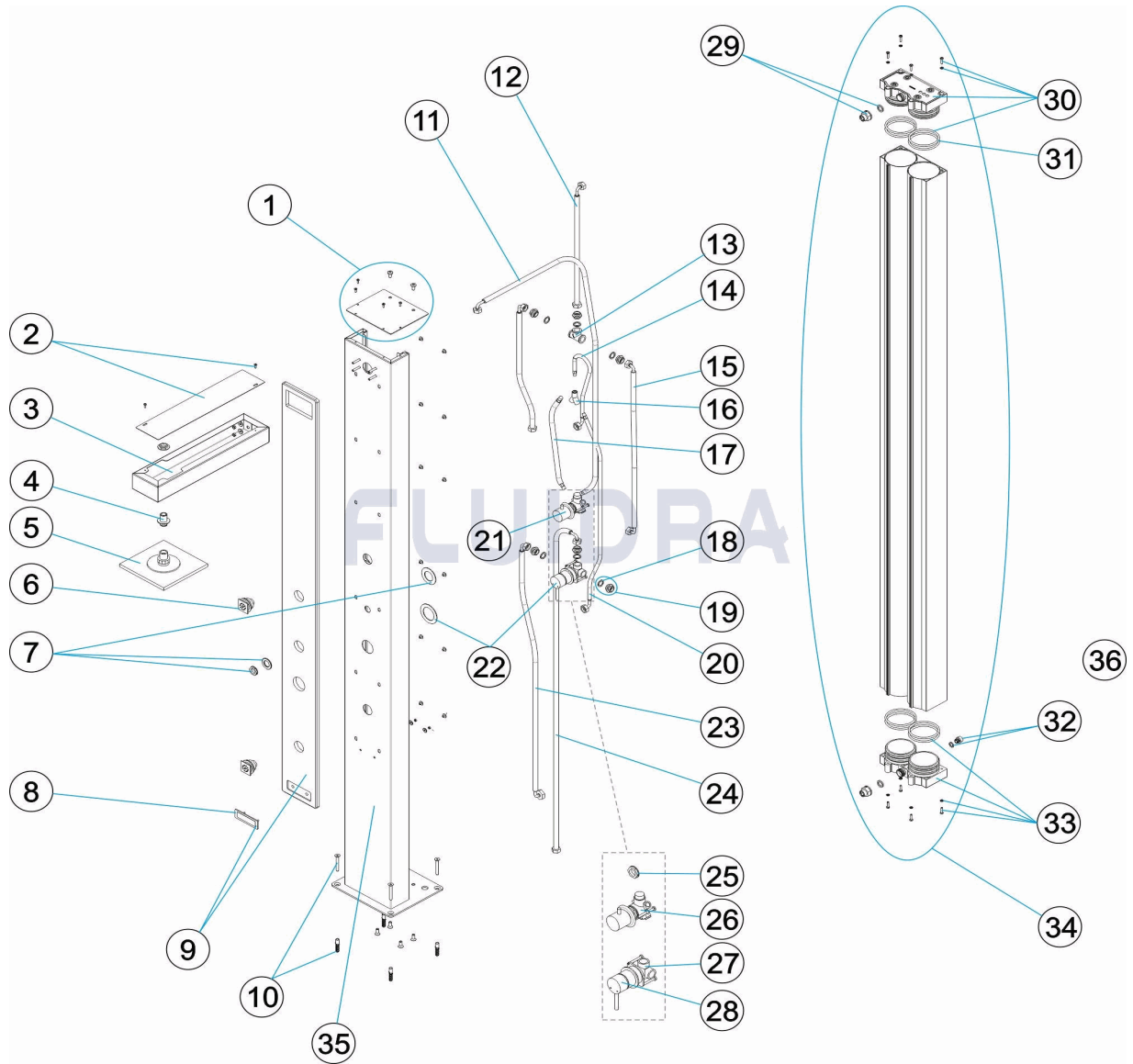
CODICE **56933**

DESCRIZIONE: **DOCCIA SOLARE IGUAZU**

| | | | | | |
|----|------------|---------------------------------------|----|------------|-------------------------|
| 14 | 4401043614 | SPINOTTO 1/2" FEMMINA + M-10 MASCHIC | 29 | 4401040218 | RACCORDO M 1/2" - 3/4" |
| 15 | 4401040188 | SPINOTTO CODO 1/2" H - M 10 M L=400M/ | 30 | 4401040219 | INSIEME TAPPO SUPERIORE |
| 31 | 4401040178 | GIUNTA TORICA TAPPO | 34 | 4401040195 | COMPLESSO DEPOSITO |
| 32 | 4401040175 | TAPPO PURGA 1/4" | 35 | 56933R0100 | CORPO DOCCIA |
| 33 | 4401040220 | INSIEME TAPPO INFERIORE | | | |

CODE **56933**

BESCHREIBUNG: **DUSCHE SOLAR IGUAZU**



DEUTSCH

| POS | CODE | BESCHREIBUNG | MENGE | POS | CODE | BESCHREIBUNG | MENGE |
|-----|------------|-------------------------------------|-------|-----|------------|--|-------|
| 1 | 4401040179 | ABDECKUNG GEHÄUSE | | 16 | 4401040189 | ANSCHLUSS "Y" M-10 NIPPEL - M-10 NIPPE | |
| 2 | 4401040061 | ABDECKUNG ARM | | 17 | 4401040186 | SCHLAUCHLEITUNG M-12 NIPPEL - M-12 NI | |
| 3 | 4401040213 | DUSCHARM | | 18 | 4401040204 | FLACHDICHTUNG | |
| 4 | 4401043205 | WANDDURCHFÜHRUNG | | 19 | 4401040182 | ANSCHLUSS AUSGANG STOPFEN | |
| 5 | 4401043203 | DUSCHKOPF ORIENTIERBAR | | 20 | 4401040068 | SCHLAUCHLEITUNG 1/2" MUFFE WINKEL M | |
| 6 | 4401040062 | SPÜHDÜSE | | 21 | 4401040184 | UMLENKVORRICHTUNG | |
| 7 | 4401040117 | T-STÜCK D. 22 | | 22 | 4401040221 | VENTIL EINHANDHEBEL | |
| 8 | 4401040064 | BLENDE LOGO AP | | 23 | 4401040222 | SCHLAUCHLEITUNG WINKEL 1/2" MUFFE - | |
| 9 | 4401040196 | ZIERABDECKUNG CORIAN | | 24 | 4401040217 | SCHLAUCHLEITUNG WINKEL 1/2" MUFFE - | |
| 10 | 4401043210 | FIXIERUNG GEHÄUSE | | 25 | 4401040283 | ABDECKUNGVENTIL | |
| 11 | 4401040185 | SCHLAUCHLEITUNG WINKEL 1/2" MUFFE - | | 26 | 4401040214 | KARTUSCHE VERTEILER | |
| 12 | 4401040190 | SCHLAUCHLEITUNG WINKEL 1/2" MUFFE - | | 27 | 4401040216 | KARTUSCHE DURCHFLUSSVENTIL | |
| 13 | 4401041408 | T-STÜCK 1/2" | | 28 | 4401040284 | GRIFF VERTEILER | |

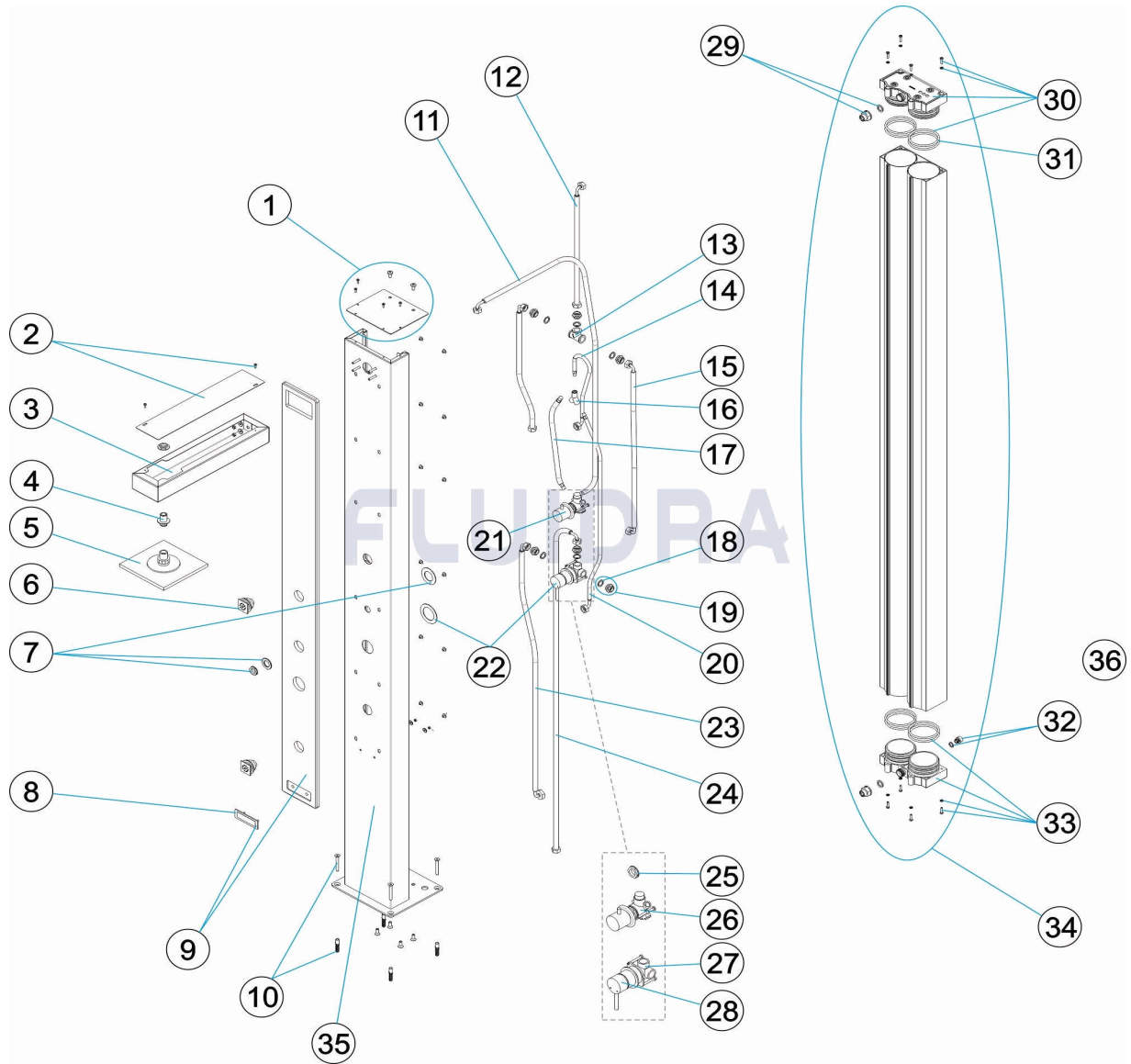
CODE **56933**

BESCHREIBUNG: **DUSCHE SOLAR IGUAZU**

| | | | | | |
|----|------------|-------------------------------------|----|------------|----------------------------|
| 14 | 4401043614 | SCHLAUCHLEITUNG 1/2" MUFFE UND M-1(| 29 | 4401040218 | GEWINDESTÜCK M 1/2" - 3/4" |
| 15 | 4401040188 | SCHLAUCHLEITUNG WINKEL 1/2" MUFFE - | 30 | 4401040219 | STOPFENSET OBEN |
| 31 | 4401040178 | O-RING STOPFEN | 34 | 4401040195 | BEHÄLTERSET |
| 32 | 4401040175 | ABLASSSTOPFEN 1/4" | 35 | 56933R0100 | DUSCHEINHEIT |
| 33 | 4401040220 | STOPFENSET UNTEN | | | |

CODIGO **56933**

DESCRIÇÃO: **DUCHE SOLAR IGUAZU**



PORTUGUES

| POS | CODIGO | DESCRIÇÃO | JANTIDADE | POS | CODIGO | DESCRIÇÃO | JANTIDADE |
|-----|------------|---------------------------------------|-----------|-----|------------|---|-----------|
| 1 | 4401040179 | TAMPA CORPO | | 16 | 4401040189 | CONECTOR EM Y M 10 H -M 10H - M 12 H | |
| 2 | 4401040061 | TAMPA BRAÇO | | 17 | 4401040186 | TUBO FLEXÍVEL M 12 M - M 12 M L=400 M/ | |
| 3 | 4401040213 | BRAÇO CHUVEIRO | | 18 | 4401040204 | JUNTA PLANA | |
| 4 | 4401043205 | PASSAMUROS | | 19 | 4401040182 | CONEXÃO SAÍDA | |
| 5 | 4401043203 | PINHA ORIENTÁVEL | | 20 | 4401040068 | MANGA 1/2" H. CODO M-10 M. L=800" | |
| 6 | 4401040062 | BOQUILHA NEBULIZADA | | 21 | 4401040184 | VÁLVULA DE DESVIO | |
| 7 | 4401040117 | TÊ' D.22 | | 22 | 4401040221 | VÁLVULA MONOCOMANDO | |
| 8 | 4401040064 | EMBELEZADOR ASTRAL | | 23 | 4401040222 | MANGA CODO 1/2" H. - CODO 1/2" H. L=100 | |
| 9 | 4401040196 | PLACA DECORATIVA CORIAN | | 24 | 4401040217 | MANGA CODO 1/2" H. - 1/2" H. L=1300 M/M | |
| 10 | 4401043210 | FIXAÇÃO CORPO | | 25 | 4401040283 | PORCA VALVULA | |
| 11 | 4401040185 | MANGA CODO 1/2" H. - 12/100 L=1400M/M | | 26 | 4401040214 | DISTRIBUIDOR DE CARTUCHO | |
| 12 | 4401040190 | MANGA CODO 1/2" H - 1/2" H L=450M/M " | | 27 | 4401040216 | CARTUCHO DA VÁLVULA DE FLUXO | |
| 13 | 4401041408 | TÊ' 1/2' | | 28 | 4401040284 | MANIPULO DISTRIBUIDOR | |

CODIGO **56933**

DESCRIÇÃO: **DUCHE SOLAR IGUAZU**

| | | | | | |
|----|------------|---------------------------------------|----|------------|---------------------------|
| 14 | 4401043614 | MANGA 1/2" FÊMEA + M-10 MACHO L = 400 | 29 | 4401040218 | ACOPLAMENTO M 1/2" - 3/4" |
| 15 | 4401040188 | MANGA CODO 1/2" H - M 10 M L=400M/M " | 30 | 4401040219 | CJTO. TAMPÃO SUPERIOR |
| 31 | 4401040178 | JUNTA TÓRICA TAMPÃO | 34 | 4401040195 | CJTO. DEPÓSITO |
| 32 | 4401040175 | TAMPO PURGA 1/4" | 35 | 56933R0100 | CORPO DUCHE |
| 33 | 4401040220 | CJTO. TAMPÃO INFERIOR | | | |