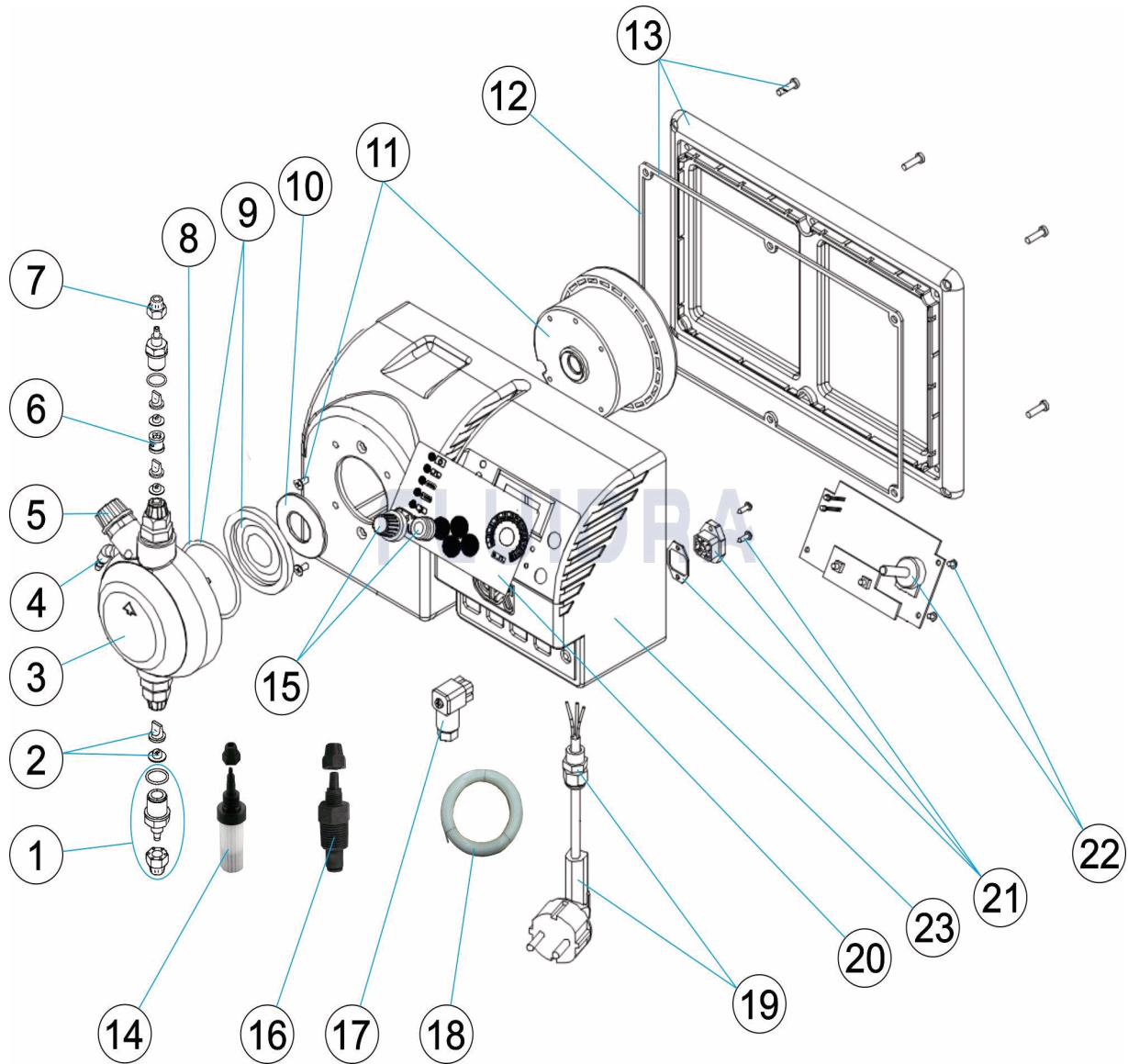


CODIGO 14252, 24098, 35082

DESCRIPCION: BOMBAS SERIE CLAS ON-OFF 2008


**ESPAÑOL**

POS	CODIGO	DESCRIPCION	CANTIDAD	POS	CODIGO	DESCRIPCION	CANTIDAD
1	CE08030112	CUERPO RACORD + DUTRAL		9	* CE08030429	MEMBRANA COMPLETA 20L 5KG	
1	CE08030113	CUERPO RACORD + VITON		10	* CE08030531	ARANDELA PISTON 5L 7KG	
1	CE08030114	CUERPO RACORD + SILICONA		10	* CE08031121	ARANDELA PISTON 10L 5KG	
2	CE08030116	VALVULA VITON + SOPORTE		10	* CE08031122	ARANDELA PISTON 20L 5KG	
2	CE08030117	VALVULA SILICONA + SOPORTE		11	* CE08030921	ELECTROIMAN 2 L. 5KG	
2	CE08030115	VALVULA DUTRAL + SOPORTE		11	* CE08033105	ELECTROIMAN 10 - 20 L.	
3	* CE08031205	CABEZAL COMPLETO		11	* CE08031116	ELECTROIMAN 25366	
3	* CE08030409	CABEZAL COMPLETO 20L. 5KG.		12	CE08033108	JUNTA TAPA	
4	CE08031203	RACOR PURGA CABEZAL		13	CE08030038	CJTO. TAPA POSTERIOR CAJA	
5	CE08032308	TAPON PURGA CABEZAL CP STD		14	CE08030123	FILTRO ASPIRACION COMPLETO	
6	CE08033111	DISTANCIADOR PURGA AIRE		15	CE08031806	ARANDELA Y MANDO POTENCIOMETRO	
7	CE08030126	TUERCA SUJECCION TUBO		16	CE08030121	VALVULA INYECCION COMPLETA	
8	* CE08030111	JUNTA TORICA CABEZAL		17	CE08031729	CONECTOR DE NIVEL	

CODIGO **14252, 24098, 35082**DESCRIPCION: **BOMBAS SERIE CLAS ON-OFF 2008**

8	* CE08030413	JUNTA TORICA CABEZAL 20L 5KG	18	CE08030122	TUBO ASPIRACION/IMPULSION
9	* CE08030119	MEMBRANA COMPLETA	19	CE08031221	CABLE ALIMENTACION
20	CE08030039	CARATULA	22	CE08030035	CIRCUITO ELECTRONICO MA/ADL + NIVEL :
21	CE08031405	CONECTOR MACHO	23	46771R0002	CAJA BOMBA

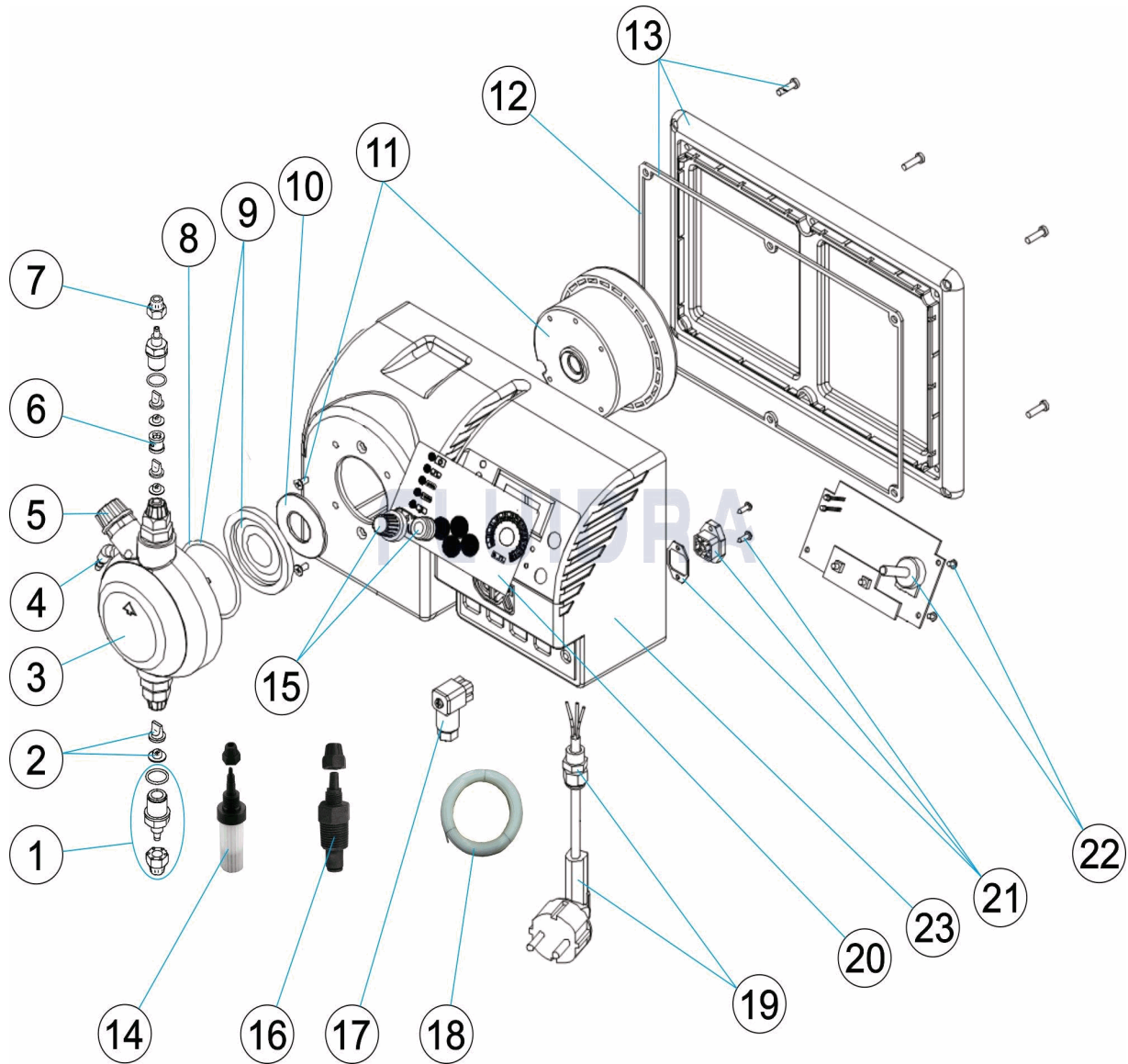
CODIGO **14252, 24098, 35082**DESCRIPCION: **BOMBAS SERIE CLAS ON-OFF 2008**

## OBSERVACIONES

POS	CODIGO	OBSERVACIONES
3	*CE08031205	PARA: 14252, 24098
3	*CE08030409	PARA: 35082
8	*CE08030111	PARA: 14252, 24098
8	*CE08030413	PARA: 35082
9	*CE08030119	PARA: 14252, 24098
9	*CE08030429	PARA: 35082
10	*CE08030531	PARA: 24098
10	*CE08031121	PARA: 14252
10	*CE08031122	PARA: 35082
11	*CE08030921	PARA: 24098
11	*CE08033105	PARA: 14252
11	*CE08031116	PARA: 35082

CODE 14252, 24098, 35082

DESCRIPTION: POMPE DOSEUSE SERIE CLAS ON-OFF 2008


**FRANCAIS**

POS	CODE	DESCRIPTION	QUANTITE	POS	CODE	DESCRIPTION	QUANTITE
1	CE08030112	CORPS RACCORD + CLAPET DUTRAL		9	* CE08030429	MEMBRANE COMPLETE 20L 5KG	
1	CE08030113	CORPS RACCORD + CLAPET VITON		10	* CE08030531	RONDELLE PISTON 5L 7KG	
1	CE08030114	CORPS RACCORD + CLAPET SILICONE		10	* CE08031121	RONDELLE PISTON 10L 5KG	
2	CE08030116	CLAPET VITON + SUPPORT		10	* CE08031122	RONDELLE PISTON 20L 5KG	
2	CE08030117	CLAPET SILICONA + SUPPORT		11	* CE08030921	ELECTROAIMANT 2 L. 5KG	
2	CE08030115	CLAPET DUTRAL + SUPPORT		11	* CE08033105	ELECTROAIMANT 10 - 20 L.	
3	* CE08031205	TETE COMPLET		11	* CE08031116	ELECTROAIMANT 25366	
3	* CE08030409	TETE COMPLET 20L. 5KG.		12	CE08033108	JOINT DE COUVERCLE	
4	CE08031203	RACCOR PURGE		13	CE08030038	COUVERCLE POMPE	
5	CE08032308	BOUCHON PURGE		14	CE08030123	FILTRE ASPIRATION COMPLETE	
6	CE08033111	DISTANCIALE DE PURGE		15	CE08031806	RONDELLE ET TÉLÉCOMMANDE POTENTIK	
7	CE08030126	ECROU DE TUBE D'ASPIRATION		16	CE08030121	VANNE INJECTION COMPLETE	
8	* CE08030111	JOINT TORIQUE TETE		17	CE08031729	CONECTEUR DE NIVEAU	

CODE **14252, 24098, 35082**DESCRIPTION: **POMPE DOSEUSE SERIE CLAS ON-OFF 2008**

8	* CE08030413	JOINT TORIQUE TETE 20L 5KG	18	CE08030122	TUBE ASPIRATION/IMPULSION
9	* CE08030119	MEMBRANE COMPLETE	19	CE08031221	CABLE ALIMENTATION
20	CE08030039	FACADE	22	CE08030035	CIRCUIT ELECTRONIQUE MA/ADL
21	CE08031405	CONNECTEUR MÂLE	23	46771R0002	BOITIER DE POMPE

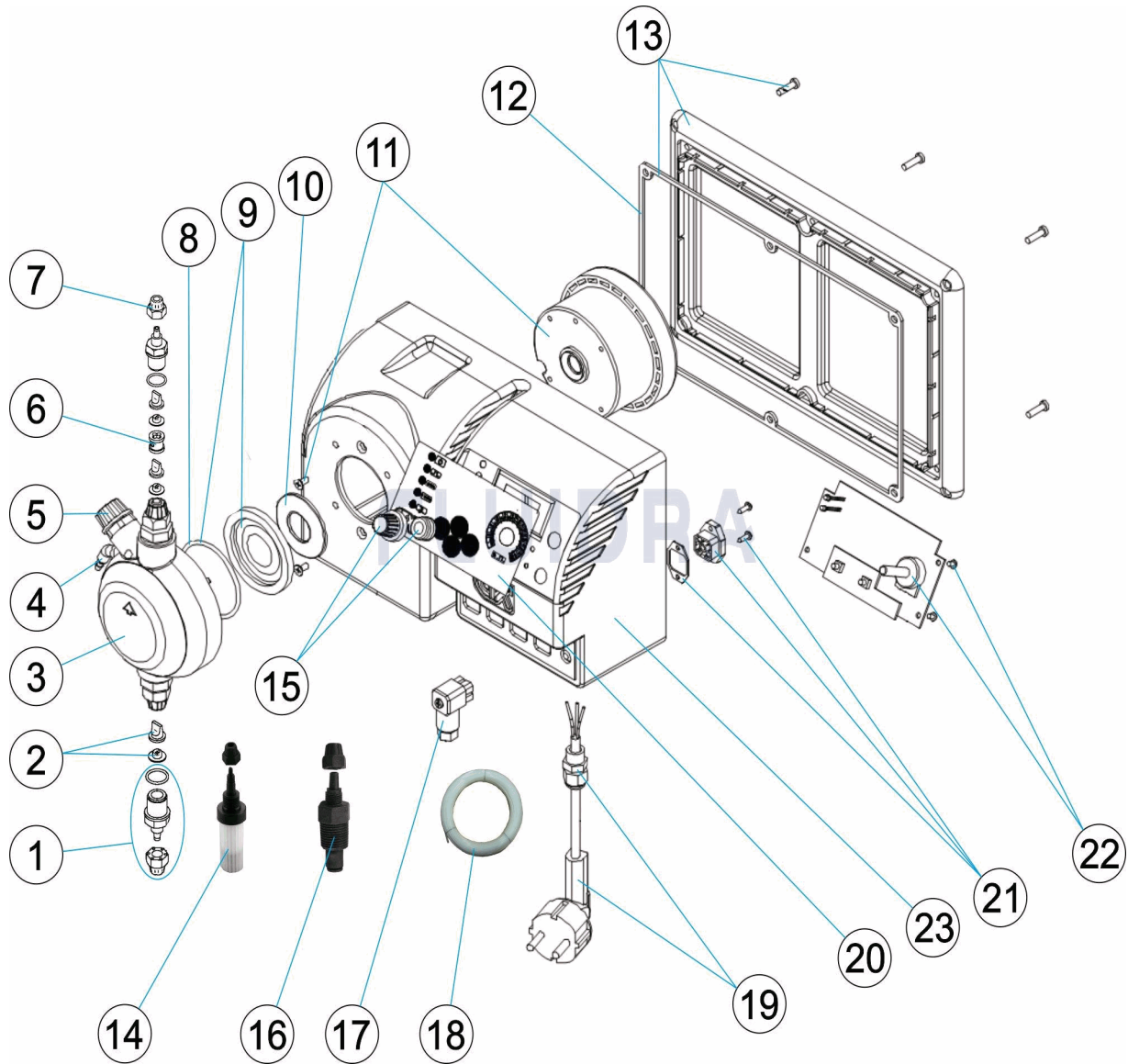
CODE **14252, 24098, 35082**DESCRIPTION: **POMPE DOSEUSE SERIE CLAS ON-OFF 2008**

## OBSERVATIONS

POS	CODE	OBSERVATIONS
3	*CE08031205	POUR: 14252, 24098
3	*CE08030409	POUR: 35082
8	*CE08030111	POUR: 14252, 24098
8	*CE08030413	POUR: 35082
9	*CE08030119	POUR: 14252, 24098
9	*CE08030429	POUR: 35082
10	*CE08030531	POUR: 24098
10	*CE08031121	POUR: 14252
10	*CE08031122	POUR: 35082
11	*CE08030921	POUR: 24098
11	*CE08033105	POUR: 14252
11	*CE08031116	POUR: 35082

CODE 14252, 24098, 35082

DESCRIPTION: DOSING PUMP SERIE CLAS ON-OFF 2008



**ENGLISH**

POS	CODE	DESCRIPTION	QUANTITY	POS	CODE	DESCRIPTION	QUANTITY
1	CE08030112	HEAD CONNECTOR BODY + DUTRAL		9	* CE08030429	DIAPHRAM COMPLETE 20L 5KG	
1	CE08030113	HEAD CONNECTOR BODY + VITON		10	* CE08030531	PISTON WASHER 5L 7KG	
1	CE08030114	HEAD CONNECTOR BODY + SILICON		10	* CE08031121	PISTON WASHER 10L 5KG	
2	CE08030116	VITON VALVE + SUPPORT		10	* CE08031122	PISTON WASHER 20L 5KG	
2	CE08030117	SILICON VALVE + SUPPORT		11	* CE08030921	ELECTROMAGNET 2 L. 5KG	
2	CE08030115	DUTRAL VALVE + SUPPORT		11	* CE08033105	ELECTROMAGNET 10 - 20 L.	
3	* CE08031205	COMPLETE HEAD ASSEMBLY		11	* CE08031116	ELECTROMAGNET 25366	
3	* CE08030409	COMPLETE HEAD ASSEMBLY 20L. 5KG.		12	CE08033108	LID GASKET	
4	CE08031203	PURGE FITTING		13	CE08030038	PUMP REAR COVER	
5	CE08032308	DRAIN PLUG		14	CE08030123	FILTER ASSEMBLY	
6	CE08033111	DISTANCIALE FOR BLEEDING		15	CE08031806	WASHER AND POTENTIOMETER KNOB	
7	CE08030126	SUCTION TUBE NUT		16	CE08030121	INJECTOR VALVE ASSEMBLY	
8	* CE08030111	HEAD O RING		17	CE08031729	FEMALE CONNECTOR BCN	

\* SEE OBSERVATIONS SHEET



# PARTS BREAKDOWN

REV.: 2  
DATE: 04/04/2023  
SHEET: 2/3

939

CODE **14252, 24098, 35082**

DESCRIPTION: **DOSING PUMP SERIE CLAS ON-OFF 2008**

8	* CE08030413	HEAD O RING 20L 5KG	18	CE08030122	SUCTION/RETURN TUBE
9	* CE08030119	DIAPHRAM COMPLETE	19	CE08031221	SUPPLY CABLE
20	CE08030039	FACE PANEL	22	CE08030035	ELECTRONIC CIRCUIT MA/ADL
21	CE08031405	MALE CONNECTOR	23	46771R0002	PUMP BOX



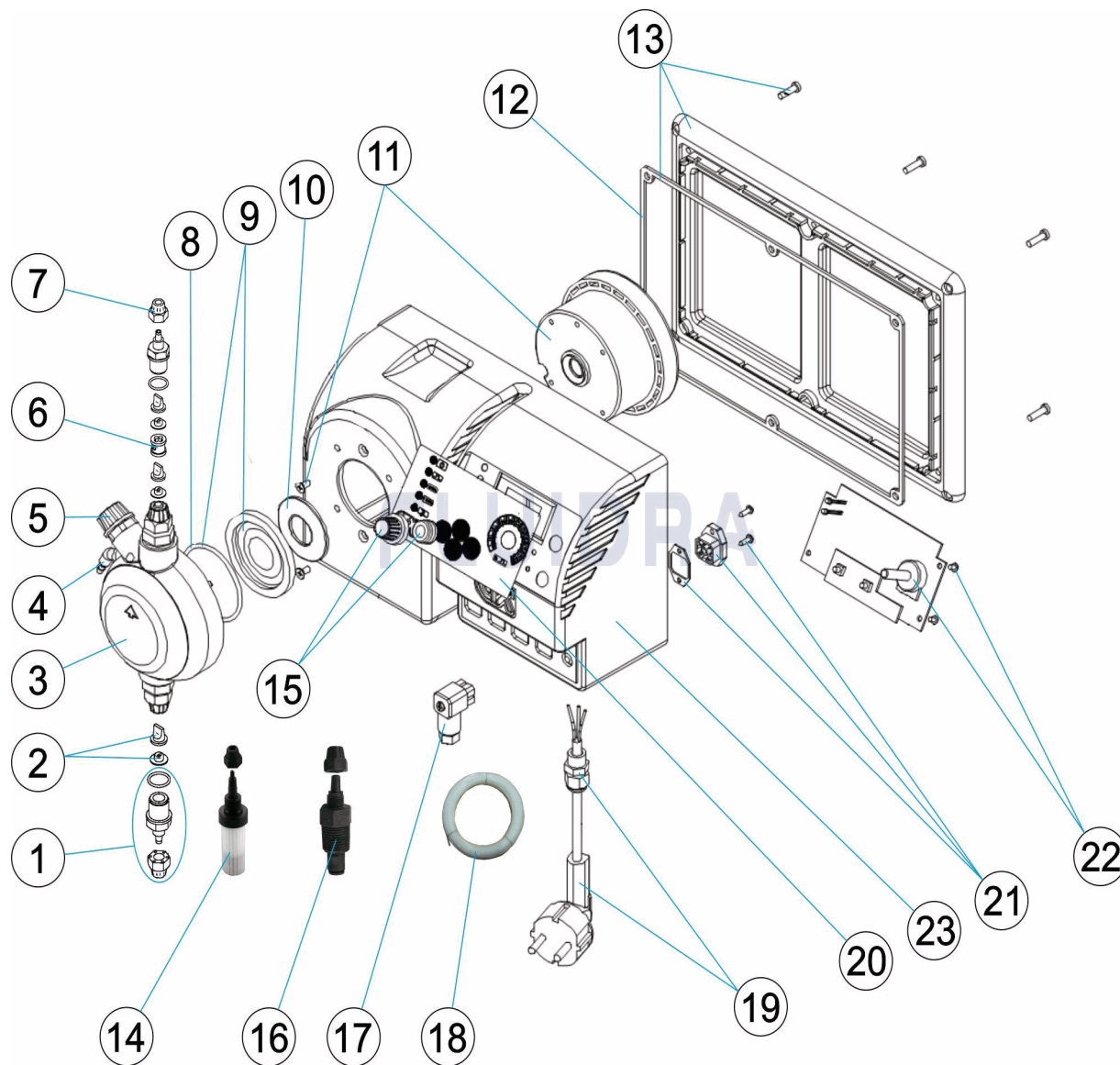
CODE **14252, 24098, 35082**DESCRIPTION: **DOSING PUMP SERIE CLAS ON-OFF 2008**

## OBSERVATIONS

POS	CODE	OBSERVATIONS
3	*CE08031205	FOR: 14252, 24098
3	*CE08030409	FOR: 35082
8	*CE08030111	FOR: 14252, 24098
8	*CE08030413	FOR: 35082
9	*CE08030119	FOR: 14252, 24098
9	*CE08030429	FOR: 35082
10	*CE08030531	FOR: 24098
10	*CE08031121	FOR: 14252
10	*CE08031122	FOR: 35082
11	*CE08030921	FOR: 24098
11	*CE08033105	FOR: 14252
11	*CE08031116	FOR: 35082

CODICE 14252, 24098, 35082

DESCRIZIONE: POMPA DOSIFICATRICE SERIE CLAS ON-OFF 2008


**ITALIANO**

POS	CODICE	DESCRIZIONE	QUANTITA'	POS	CODICE	DESCRIZIONE	QUANTITA'
1	CE08030112	CORPO RACCORDO + VALVOLA IN DUTRA		9	* CE08030429	MEMBRANA COMPLETA 20L 5KG	
1	CE08030113	CORPO RACCORDO + VALVOLA IN VITON		10	* CE08030531	RONDELLA PISTONE 5L 7KG	
1	CE08030114	CORPO RACCORDO + VALVOLA IN SILICOI		10	* CE08031121	RONDELLA PISTONE 10L 5KG	
2	CE08030116	VALVOLA + SUPPORTO		10	* CE08031122	RONDELLA PISTONE 20L 5KG	
2	CE08030117	VALVOLA SILICONE + SUPPORTO		11	* CE08030921	ELETTROCALAMITA 2 L. 5KG	
2	CE08030115	VALVOLA DUTRAL + SUPPORTO		11	* CE08033105	ELETTROCALAMITA 10 - 20 L.	
3	* CE08031205	TESTA COMPLETA		11	* CE08031116	ELETTROCALAMITA 25366	
3	* CE08030409	TESTA COMPLETA 20L. 5KG.		12	CE08033108	GUARNIZIONE COPERCHIO	
4	CE08031203	RACORDO SCARIO		13	CE08030038	COPRIVENTOLA POMPA	
5	CE08032308	TAPPO SPURGO		14	CE08030123	FILTRO ASPIRAZIONE COMPLETO	
6	CE08033111	DISTANCIALE PER SPURGO		15	CE08031806	RONDELLA E COMANDO POTENZIOMETRC	
7	CE08030126	GHIERA FISSAGGIO TUBO		16	CE08030121	VALVOLA INIEZIONE COMPLETA	
8	* CE08030111	O-RING PER TESTA		17	CE08031729	CONNETTORE DI LIVELLO	

\* SI FACCIA RIFERIMENTO AL FOGLIO DELLE OSSERVAZIONI

CODICE **14252, 24098, 35082**DESCRIZIONE: **POMPA DOSIFICATRICE SERIE CLAS ON-OFF 2008**

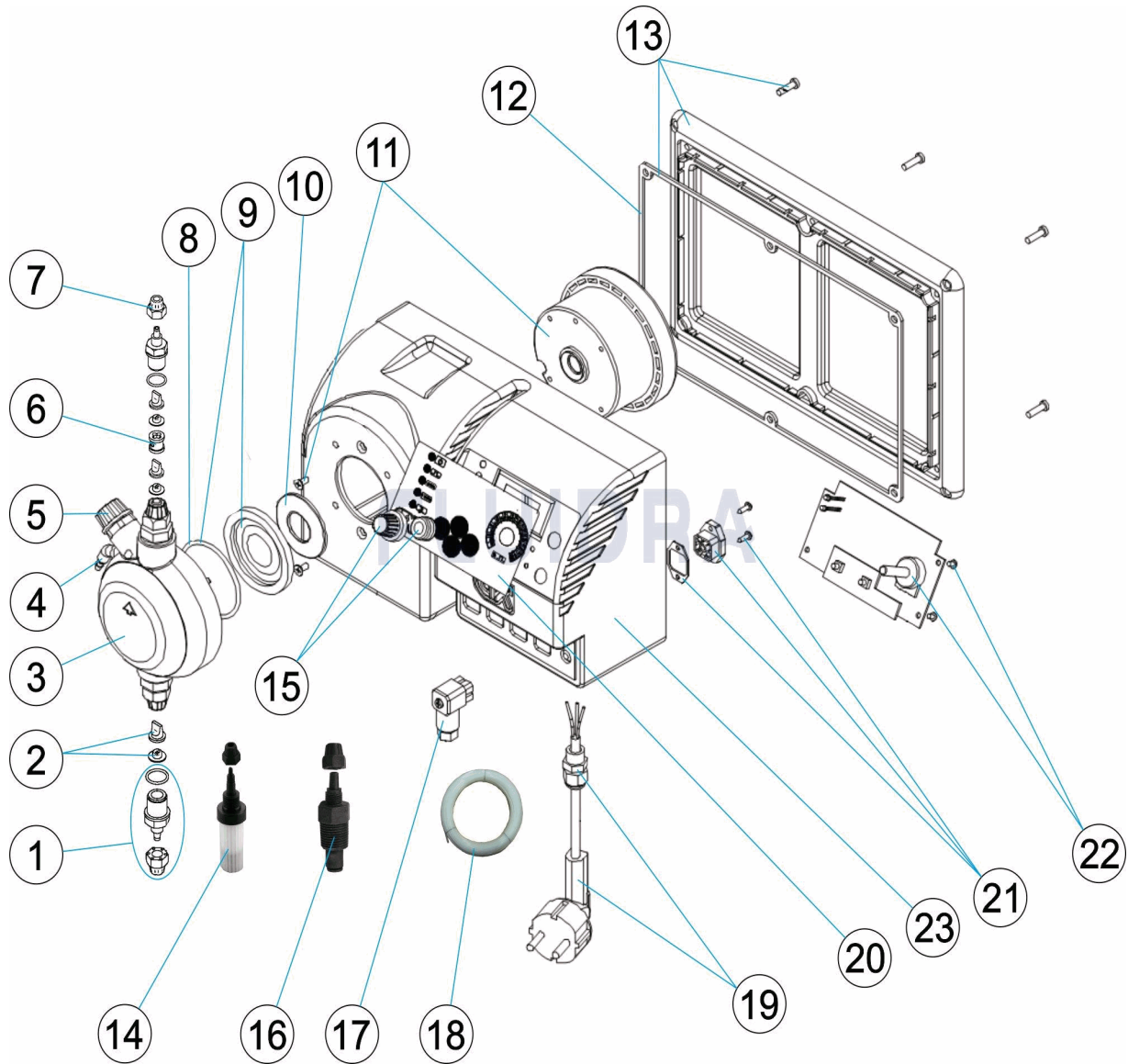
8	* CE08030413	O-RING TESTA 20L 5KG	18	CE08030122	TUBO DI ASPIRAZIONE/ MANDATA
9	* CE08030119	MEMBRANA COMPLETA	19	CE08031221	CAVO DI ALIMENTAZIONE
20	CE08030039	MASCHERA	22	CE08030035	CIRCUITO ELETTRONICO MA/ADL
21	CE08031405	CONNETTORE MASCHIO	23	46771R0002	CARCASSA POMPA

CODICE **14252, 24098, 35082**DESCRIZIONE: **POMPA DOSIFICATRICE SERIE CLAS ON-OFF 2008**

## OSSERVAZIONI

POS	CODICE	OSSERVAZIONI
3	*CE08031205	PER: 14252, 24098
3	*CE08030409	PER: 35082
8	*CE08030111	PER: 14252, 24098
8	*CE08030413	PER: 35082
9	*CE08030119	PER: 14252, 24098
9	*CE08030429	PER: 35082
10	*CE08030531	PER: 24098
10	*CE08031121	PER: 14252
10	*CE08031122	PER: 35082
11	*CE08030921	PER: 24098
11	*CE08033105	PER: 14252
11	*CE08031116	PER: 35082

CODE **14252, 24098, 35082**

 BESCHREIBUNG: **PUMPEN SERIE CLAS ON-OFF 2008**

**DEUTSCH**

POS	CODE	BESCHREIBUNG	MENGE	POS	CODE	BESCHREIBUNG	MENGE
1	CE08030112	VENTILSATZ MIT DUTRAL		9	* CE08030429	KOMPLETTMEMBERAN 20 L 5 KG	
1	CE08030113	VENTILSATZ MIT VITON		10	* CE08030531	KOLBENSCHIBE 5 L 7 KG	
1	CE08030114	VENTILSATZ MIT SILIKON		10	* CE08031121	KOLBENSCHIBE 10 L 5 KG	
2	CE08030116	VENTIL VITON MIT HALTERUNG		10	* CE08031122	KOLBENSCHIBE 20 L 5 KG	
2	CE08030117	VENTIL SILIKON MIT HALTERUNG		11	* CE08030921	ELEKTROMAGNET 2 L 5 KG	
2	CE08030115	VENTIL DUTRAL MIT HALTERUNG		11	* CE08033105	ELEKTROMAGNET 10 - 20 L	
3	* CE08031205	KOPFSTÜCK KOMPLETT		11	* CE08031116	ELEKTROMAGNET 25366	
3	* CE08030409	KOPFSTÜCK KOMPLETT 20 L 5 KG		12	CE08033108	DICHTUNG ABDECKUNG	
4	CE08031203	GEWINDE ABLASS KOPFSTÜCK		13	CE08030038	SET ABDECKUNG HINTEN GEHÄUSE	
5	CE08032308	ABLASSSTOPFEN KOPFSTÜCK CP STD		14	CE08030123	SAUGFILTER KOMPLETT	
6	CE08033111	DISTANZSTÜCK ENTLÜFTUNG		15	CE08031806	UNTERLEGSCHEIBE UND STEUERUNG PO	
7	CE08030126	MUTTER BEFESTIGUNG ROHR		16	CE08030121	INJEKTORVENTIL KOMPLETT	
8	* CE08030111	O-RING KOPFSTÜCK		17	CE08031729	VERBINDUNGSTÜCK FÜLLSTAND	

\* SIEHE ANMERKUNGSBLATT

CODE **14252, 24098, 35082**BESCHREIBUNG: **PUMPEN SERIE CLAS ON-OFF 2008**

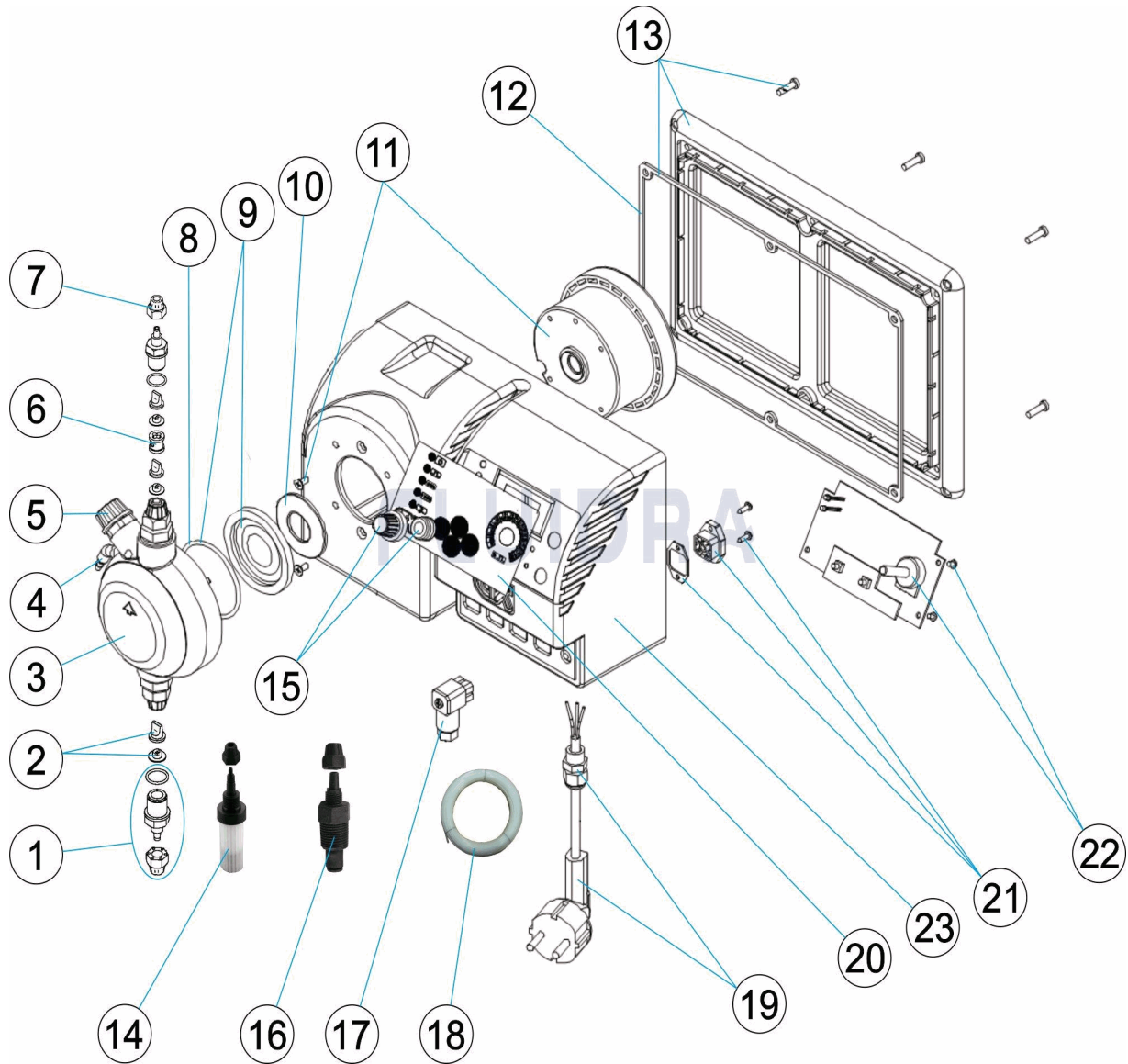
8	* CE08030413	O-RING KOPFSTÜCK 20 L 5 KG	18	CE08030122	ROHR SAUG/DRUCK
9	* CE08030119	KOMPLETTMEMBERAN	19	CE08031221	VERSORGUNGSKABEL
20	CE08030039	BEDIENFELD	22	CE08030035	PLATINE SCHALTKREIS MA/ADL MIT FÜLLS
21	CE08031405	STECKER	23	46771R0002	PUMPENGEHÄUSE

CODE **14252, 24098, 35082**BESCHREIBUNG: **PUMPEN SERIE CLAS ON-OFF 2008**

## HINWEISE

POS	CODE	HINWEISE
3	*CE08031205	FÜR: 14252, 24098
3	*CE08030409	FÜR: 35082
8	*CE08030111	FÜR: 14252, 24098
8	*CE08030413	FÜR: 35082
9	*CE08030119	FÜR: 14252, 24098
9	*CE08030429	FÜR: 35082
10	*CE08030531	FÜR: 24098
10	*CE08031121	FÜR: 14252
10	*CE08031122	FÜR: 35082
11	*CE08030921	FÜR: 24098
11	*CE08033105	FÜR: 14252
11	*CE08031116	FÜR: 35082

CODIGO **14252, 24098, 35082**

 DESCRIÇÃO: **BOMBA DOSEADORA SERIE CLAS ON-OFF 2008**

**PORTUGUES**

POS	CODIGO	DESCRIÇÃO	JANTIDADE	POS	CODIGO	DESCRIÇÃO	JANTIDADE
1	CE08030112	CORPO RACORD + DUTRAL		9	* CE08030429	MEMBRANA COMPLETA 20L 5KG	
1	CE08030113	CORPO RACORD + VITON		10	* CE08030531	ANILHA PISTON 5L 7KG	
1	CE08030114	CORPO RACORD + SILICONE		10	* CE08031121	ANILHA PISTON 10L 5KG	
2	CE08030116	VÁLVULA VITON + SUPORTE		10	* CE08031122	ANILHA PISTON 20L 5KG	
2	CE08030117	VÁLVULA SILICONE + SUPORTE		11	* CE08030921	ELECTROIMAN 2 L. 5KG	
2	CE08030115	VÁLVULA DUTRAL + SUPORTE		11	* CE08033105	ELECTROIMAN 10 - 20 L.	
3	* CE08031205	CABEÇAL COMPLETO		11	* CE08031116	ELECTROIMAN 25366	
3	* CE08030409	CABEÇAL COMPLETO 20L. 5KG.		12	CE08033108	JUNTA TAMPA	
4	CE08031203	RACCORD PURGA		13	CE08030038	TAMPA TRASEIRA BOMBA	
5	CE08032308	TAMPÃO PURGA		14	CE08030123	FILTRO ASPIRAÇÃO COMPLETO	
6	CE08033111	DISTANCIADOR DO PURGE		15	CE08031806	ANILHA E COMANDO POTENCIOMETRO	
7	CE08030126	PORCA SUJEIÇÃO TUBO		16	CE08030121	INJECTOR COMPLETO	
8	* CE08030111	JUNTA TORICA CABEÇAL		17	CE08031729	LIGAÇÃO NIVEL	

\* VEJA A FICHA DE OBSERVAÇÕES



CODIGO **14252, 24098, 35082**DESCRIÇÃO: **BOMBA DOSEADORA SERIE CLAS ON-OFF 2008**

8	* CE08030413	JUNTA TORICA CABEÇAL 20L 5KG	18	CE08030122	TUBO ASPIRAÇÃO/IMPULSÃO
9	* CE08030119	MEMBRANA COMPLETA	19	CE08031221	CABO ALIMENTAÇÃO
20	CE08030039	MOSTRADOR	22	CE08030035	CIRCUITO ELECTRONICO MA/ADL
21	CE08031405	LIGAÇÃO MACHO	23	46771R0002	CAIXA BOMBA

CODIGO **14252, 24098, 35082**DESCRICAÇÃO: **BOMBA DOSEADORA SERIE CLAS ON-OFF 2008****OBSERVAÇÕES**

POS	CODIGO	OBSERVAÇÕES
3	*CE08031205	PARA: 14252, 24098
3	*CE08030409	PARA: 35082
8	*CE08030111	PARA: 14252, 24098
8	*CE08030413	PARA: 35082
9	*CE08030119	PARA: 14252, 24098
9	*CE08030429	PARA: 35082
10	*CE08030531	PARA: 24098
10	*CE08031121	PARA: 14252
10	*CE08031122	PARA: 35082
11	*CE08030921	PARA: 24098
11	*CE08033105	PARA: 14252
11	*CE08031116	PARA: 35082