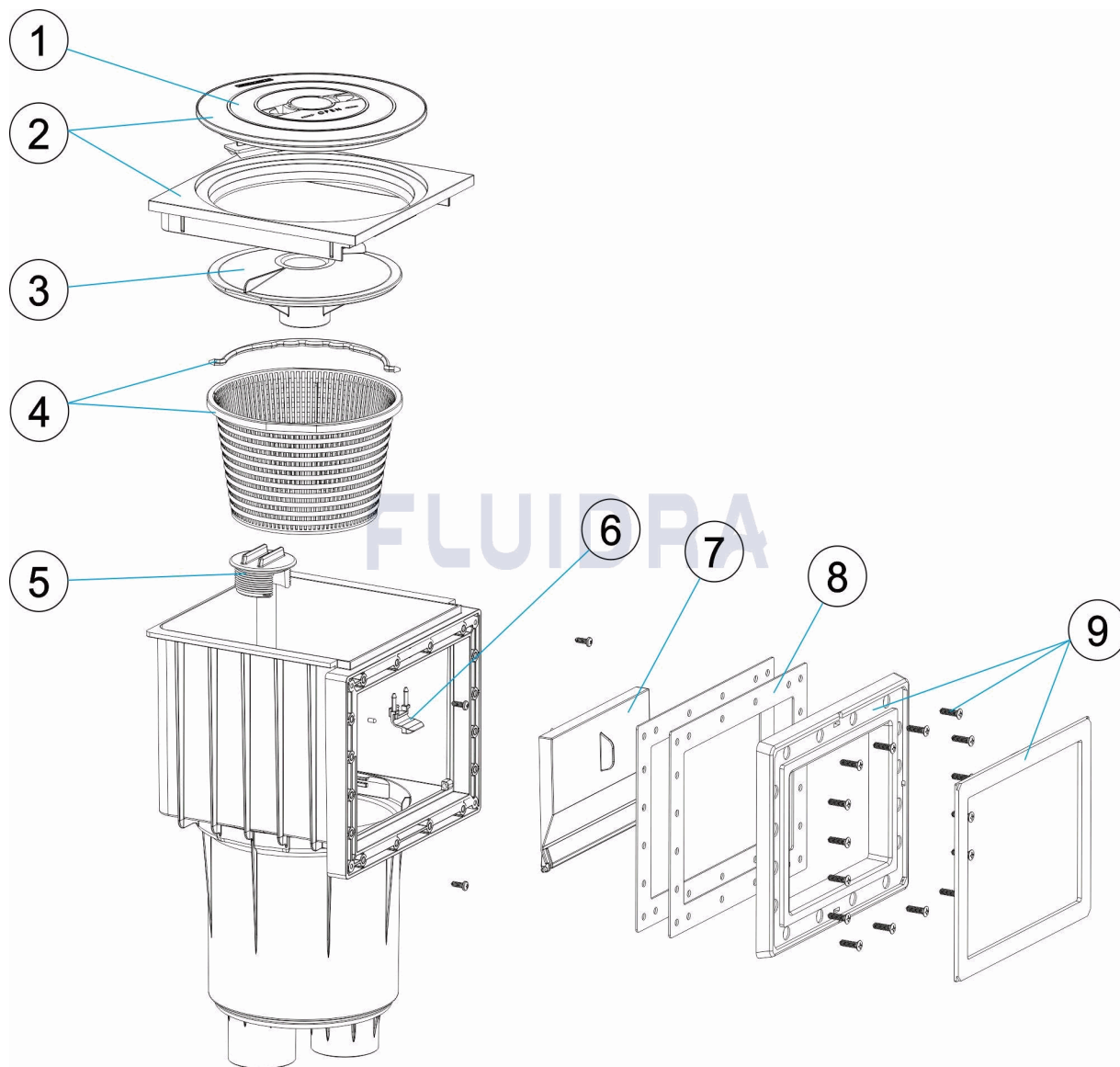


CODIGO **58382, 58382CL144, 66756**

DESCRIPCION: **MINISKIMMER 250 M/M.**



**ESPAÑOL**

POS	CODIGO	DESCRIPCION	CANTIDAD	POS	CODIGO	DESCRIPCION	CANTIDAD
1	* 4402010509	TAPA SKIMMER		6	4402010059	CJTO. FRENO COMPUERTA SKIMMER	
1	* 4402010041	TAPA SKIMMER		7	* 4402010036	COMPUERTA CON FLOTADOR	
2	* 4402010035	CJTO. TAPA CON MARCO CUADRADO		7	* 4402010099	COMPUERTA CON FLOTADOR	
2	* 4402010239	CJTO. TAPA CON MARCO CUADRADO		8	4402010307	JUNTA SKIMMER PEQUEÑA PISC. PREF.	
3	4402010505	TAPA CESTO SKIMMER		9	* 4402010308	MARCO PEQUEÑO SKIMMER	
4	4402010504	CESTO SKIMMER 17,5 LTS.		9	* 4402010088	MARCO PEQUEÑO SKIMMER	
5	4402010502	TAPON REGULADOR					

**CODIGO 58382, 58382CL144, 66756**

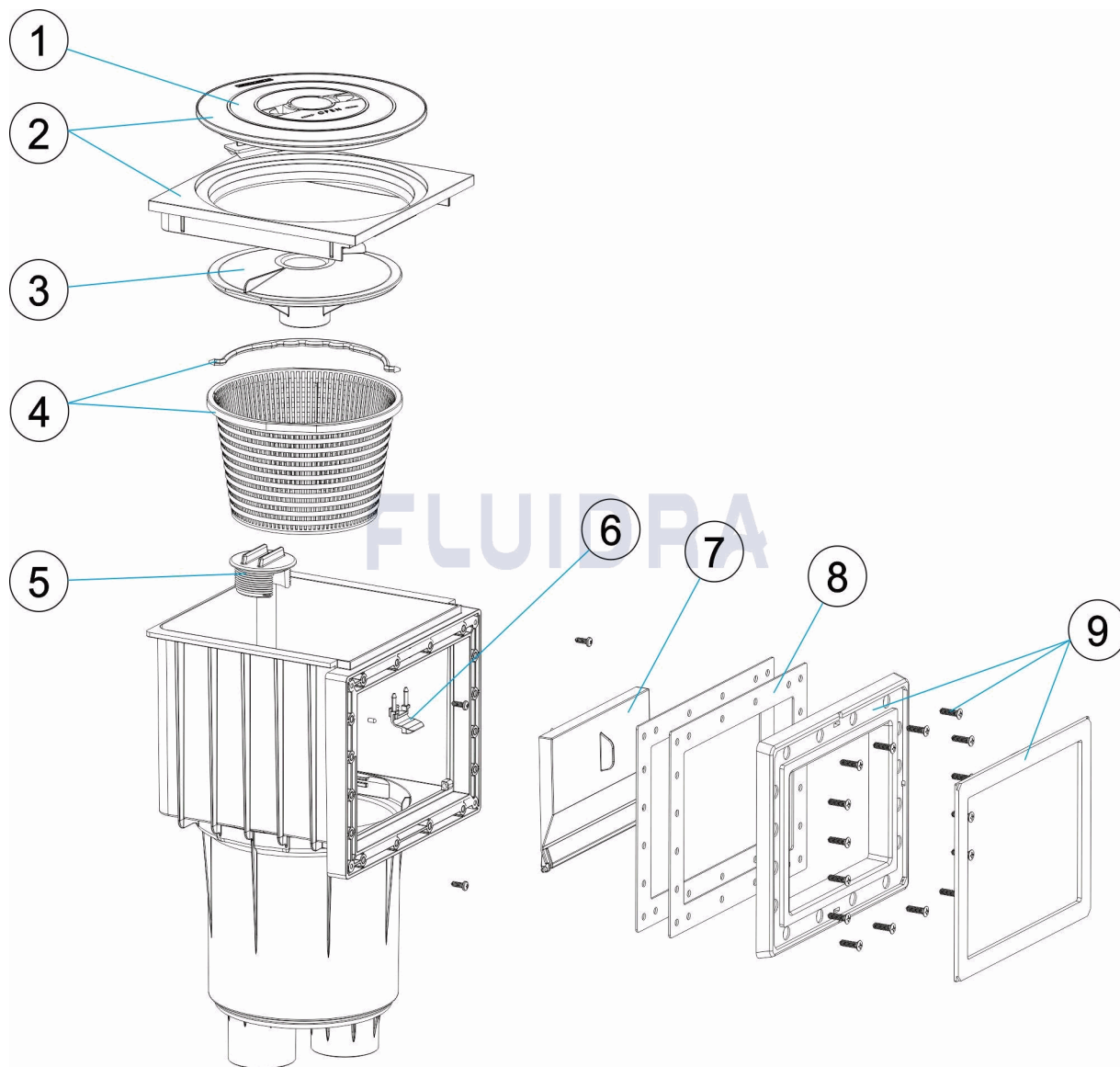
**DESCRIPCION: MINISKIMMER 250 M/M.**

## OBSERVACIONES

POS	CODIGO	OBSERVACIONES
1	* 4402010509	PARA: 58382, 66756 WHITE
1	* 4402010041	PARA: 58382CL144 ANTHRACITE
2	* 4402010035	PARA: 58382, 66756 WHITE
2	* 4402010239	PARA: 58382CL144 ANTHRACITE
7	* 4402010036	PARA: 58382, 66756 WHITE
7	* 4402010099	PARA: 58382CL144 ANTHRACITE
9	* 4402010308	PARA: 58382, 66756 WHITE
9	* 4402010088	PARA: 58382CL144 ANTHRACITE

CODE 58382, 58382CL144, 66756

DESCRIPTION: MINI-SKIMMER 250 M/M.



FRANCAIS

POS	CODE	DESCRIPTION	QUANTITE	POS	CODE	DESCRIPTION	QUANTITE
1	* 4402010509	COUVERCLE ROND DE SKIMMER		6	4402010059	RÉGLAGE FREIN PORTE SKIMMER	
1	* 4402010041	COUVERCLE ROND DE SKIMMER		7	* 4402010036	PORTILLON AVEC FLOTTEUR	
2	* 4402010035	ENS. COUVERCLE À CADRE CARRÉ		7	* 4402010099	PORTILLON AVEC FLOTTEUR	
2	* 4402010239	ENS. COUVERCLE À CADRE CARRÉ		8	4402010307	JOINT SKIM PETIT MODELE PISCINE LINER	
3	4402010505	COUVERCLE PANIER SKIMMER		9	* 4402010308	BRIDE ET CACHE VIS KIT LINER	
4	4402010504	PANIER SKIMMER 17,5 LTS		9	* 4402010088	BRIDE ET CACHE VIS KIT LINER	
5	4402010502	BOUCHON REGULATEUR					

CODE **58382, 58382CL144, 66756**

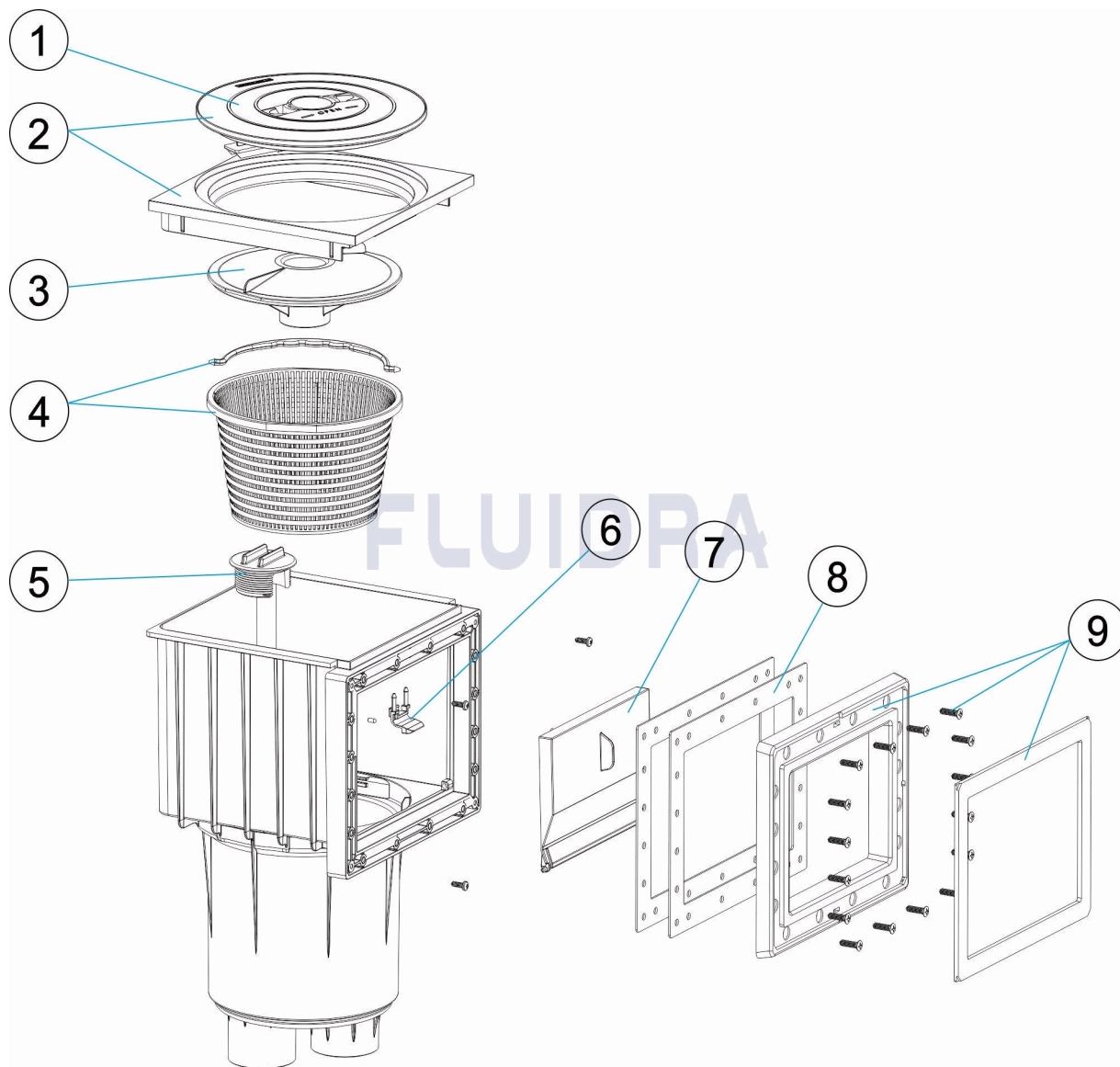
DESCRIPTION: **MINI-SKIMMER 250 M/M.**

## OBSERVATIONS

POS	CODE	OBSERVATIONS
1	* 4402010509	POUR: 58382, 66756 WHITE
1	* 4402010041	POUR: 58382CL144 ANTHRACITE
2	* 4402010035	POUR: 58382, 66756 WHITE
2	* 4402010239	POUR: 58382CL144 ANTHRACITE
7	* 4402010036	POUR: 58382, 66756 WHITE
7	* 4402010099	POUR: 58382CL144 ANTHRACITE
9	* 4402010308	POUR: 58382, 66756 WHITE
9	* 4402010088	POUR: 58382CL144 ANTHRACITE

CODE **58382, 58382CL144, 66756**

DESCRIPTION: **MINISKIMMER 250 M/M.**



**ENGLISH**

POS	CODE	DESCRIPTION	QUANTITY	POS	CODE	DESCRIPTION	QUANTITY
1	* 4402010509	SKIMMER LID		6	4402010059	SET BRAKE GATE SKIMMER	
1	* 4402010041	SKIMMER LID		7	* 4402010036	FLAP WITH FLOAT	
2	* 4402010035	COVER ASSY. WITH SQUARE FRAME		7	* 4402010099	FLAP WITH FLOAT	
2	* 4402010239	COVER ASSY. WITH SQUARE FRAME		8	4402010307	SMALL SKIMMER GASKETS FOR LINER PO	
3	4402010505	VACUUM PLATE		9	* 4402010308	SMALL SKIMMER FRAME	
4	4402010504	BASKET 17,5 LITRES		9	* 4402010088	SMALL SKIMMER FRAME	
5	4402010502	REGULATING PLUG					

CODE **58382, 58382CL144, 66756**

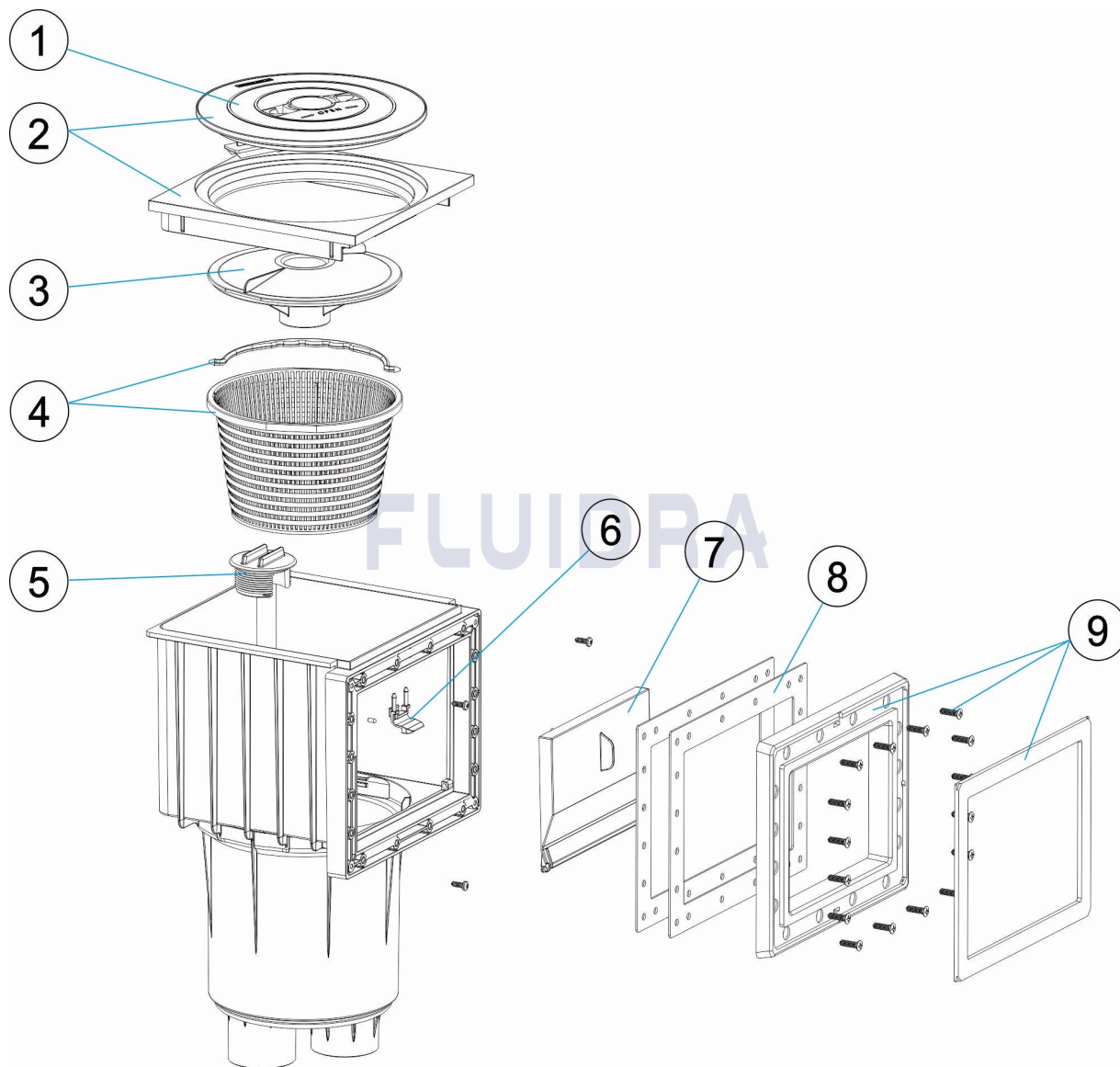
DESCRIPTION: **MINISKIMMER 250 M/M.**

## OBSERVATIONS

POS	CODE	OBSERVATIONS
1	* 4402010509	FOR: 58382, 66756 WHITE
1	* 4402010041	FOR: 58382CL144 ANTHRACITE
2	* 4402010035	FOR: 58382, 66756 WHITE
2	* 4402010239	FOR: 58382CL144 ANTHRACITE
7	* 4402010036	FOR: 58382, 66756 WHITE
7	* 4402010099	FOR: 58382CL144 ANTHRACITE
9	* 4402010308	FOR: 58382, 66756 WHITE
9	* 4402010088	FOR: 58382CL144 ANTHRACITE

CODICE **58382, 58382CL144, 66756**

DESCRIZIONE: **MINISKIMMER 250 M/M.**



**ITALIANO**

POS	CODICE	DESCRIZIONE	QUANTITA'	POS	CODICE	DESCRIZIONE	QUANTITA'
1	* 4402010509	COPERCHIO SKIMMER		6	4402010059	SET FRENO GATE SKIMMER	
1	* 4402010041	COPERCHIO SKIMMER		7	* 4402010036	SPORTELLO CON GALLEGGIANTE	
2	* 4402010035	COPERCHIO CON CORNICE QUADRATA		7	* 4402010099	SPORTELLO CON GALLEGGIANTE	
2	* 4402010239	COPERCHIO CON CORNICE QUADRATA		8	4402010307	GUARNIZIONE PER SKIMMER BASE P.F.	
3	4402010505	COPERCHIO CESTELLO SKIMMER		9	* 4402010308	CORNICE PICCOLA SKIMMER	
4	4402010504	CESTELLO SKIMMER DA 17,5 LITRI		9	* 4402010088	CORNICE PICCOLA SKIMMER	
5	4402010502	TAPPO DI REGOLAZIONE					

CODICE **58382, 58382CL144, 66756**

DESCRIZIONE: **MINISKIMMER 250 M/M.**

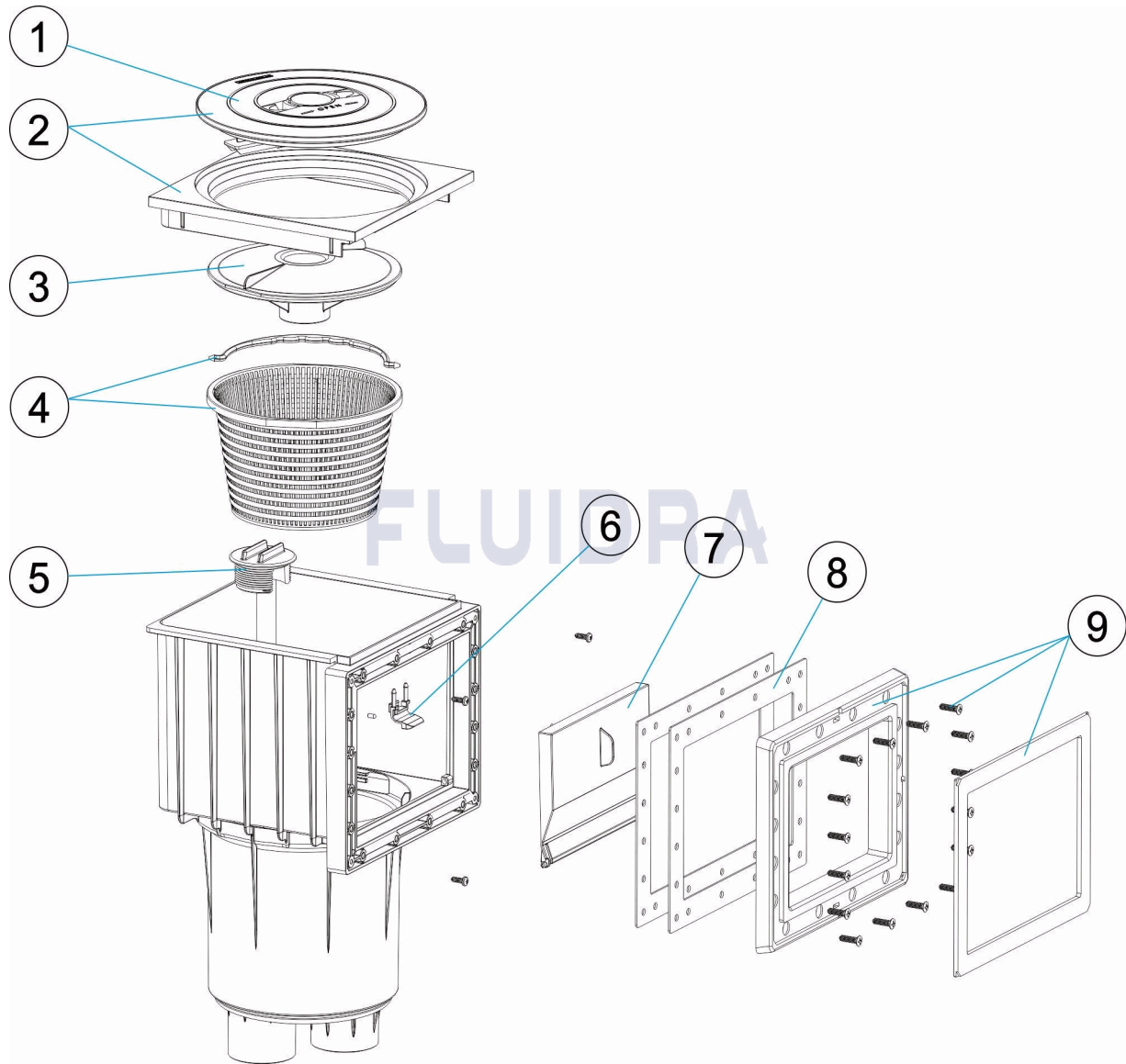
## OSSERVAZIONI

POS	CODICE	OSSERVAZIONI
1	* 4402010509	PER: 58382, 66756 WHITE
1	* 4402010041	PER: 58382CL144 ANTHRACITE
2	* 4402010035	PER: 58382, 66756 WHITE
2	* 4402010239	PER: 58382CL144 ANTHRACITE
7	* 4402010036	PER: 58382, 66756 WHITE
7	* 4402010099	PER: 58382CL144 ANTHRACITE
9	* 4402010308	PER: 58382, 66756 WHITE
9	* 4402010088	PER: 58382CL144 ANTHRACITE



CODE **58382, 58382CL144, 66756**

BESCHREIBUNG: **MINISKIMMER 250 M/M**



**DEUTSCH**

POS	CODE	BESCHREIBUNG	MENGE	POS	CODE	BESCHREIBUNG	MENGE
1	* 4402010509	SKIMMERDECKEL		6	4402010059	SET BREMSE SKIMMERKLAPPE	
1	* 4402010041	SKIMMERDECKEL		7	* 4402010036	KLAPPE MIT SCHWIMMER	
2	* 4402010035	SET ABDECKUNG MIT QUADRATISCHEM R		7	* 4402010099	KLAPPE MIT SCHWIMMER	
2	* 4402010239	SET ABDECKUNG MIT QUADRATISCHEM R		8	4402010307	DICHTUNG SKIMMER KLEIN FERTIGBECKE	
3	4402010505	ABDECKUNG SKIMMKORB		9	* 4402010308	KLEINER SKIMMERRAHMEN	
4	4402010504	SKIMMERKORB 17,5 L		9	* 4402010088	KLEINER SKIMMERRAHMEN	
5	4402010502	STOPFEN REGULIERUNG					

CODE **58382, 58382CL144, 66756**

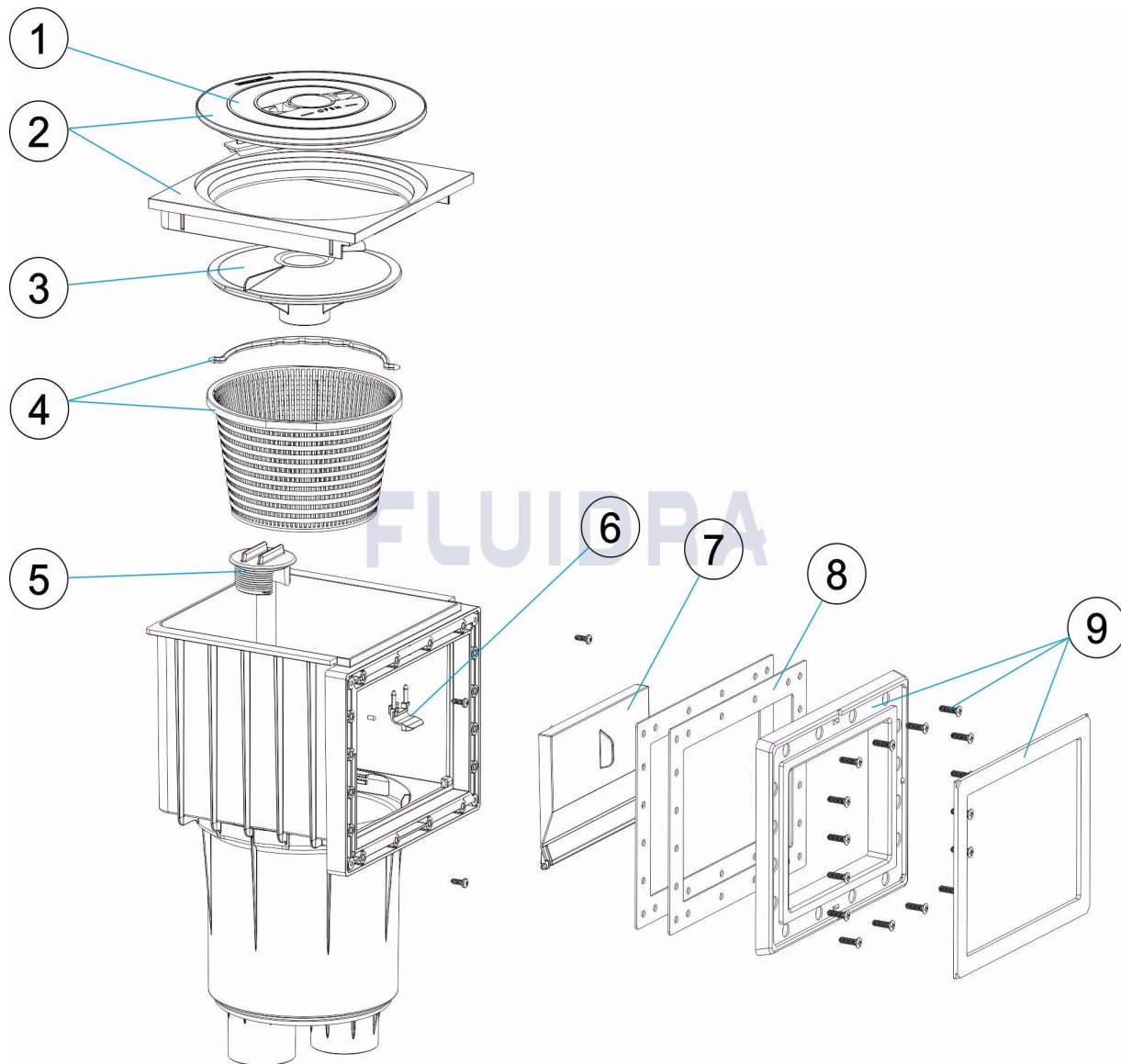
BESCHREIBUNG: **MINISKIMMER 250 M/M**

**HINWEISE**

POS	CODE	HINWEISE
1	* 4402010509	FÜR: 58382, 66756 WHITE
1	* 4402010041	FÜR: 58382CL144 ANTHRACITE
2	* 4402010035	FÜR: 58382, 66756 WHITE
2	* 4402010239	FÜR: 58382CL144 ANTHRACITE
7	* 4402010036	FÜR: 58382, 66756 WHITE
7	* 4402010099	FÜR: 58382CL144 ANTHRACITE
9	* 4402010308	FÜR: 58382, 66756 WHITE
9	* 4402010088	FÜR: 58382CL144 ANTHRACITE

CODIGO **58382, 58382CL144, 66756**

DESCRIÇÃO: **MINISKIMMER 250 M/M.**



**PORTUGUES**

POS	CODIGO	DESCRIÇÃO	JANTIDADE	POS	CODIGO	DESCRIÇÃO	JANTIDADE
1	* 4402010509	TAMPA SKIMMER		6	4402010059	CONJUNTO DE FREIO PORTÃO SKIMMER	
1	* 4402010041	TAMPA SKIMMER		7	* 4402010036	COMPORTA COM BOIA	
2	* 4402010035	CJTO. TAMPA COM ESTRUTURA QUADRAL		7	* 4402010099	COMPORTA COM BOIA	
2	* 4402010239	CJTO. TAMPA COM ESTRUTURA QUADRAL		8	4402010307	JUNTA PEQUENA DE SKIMMER	
3	4402010505	TAMPA CESTO SKIMMER		9	* 4402010308	ARO PEQUENO SKIMMER	
4	4402010504	CESTO SKIMMER 17,5 LTS		9	* 4402010088	ARO PEQUENO SKIMMER	
5	4402010502	TAMPA REGULADORA					

**CODIGO**                    **58382, 58382CL144, 66756**

**DESCRIÇÃO: MINISKIMMER 250 M/M.**

## OBSERVAÇÕES

POS	CODIGO	OBSERVAÇÕES
1	* 4402010509	PARA: 58382, 66756 WHITE
1	* 4402010041	PARA: 58382CL144 ANTHRACITE
2	* 4402010035	PARA: 58382, 66756 WHITE
2	* 4402010239	PARA: 58382CL144 ANTHRACITE
7	* 4402010036	PARA: 58382, 66756 WHITE
7	* 4402010099	PARA: 58382CL144 ANTHRACITE
9	* 4402010308	PARA: 58382, 66756 WHITE
9	* 4402010088	PARA: 58382CL144 ANTHRACITE