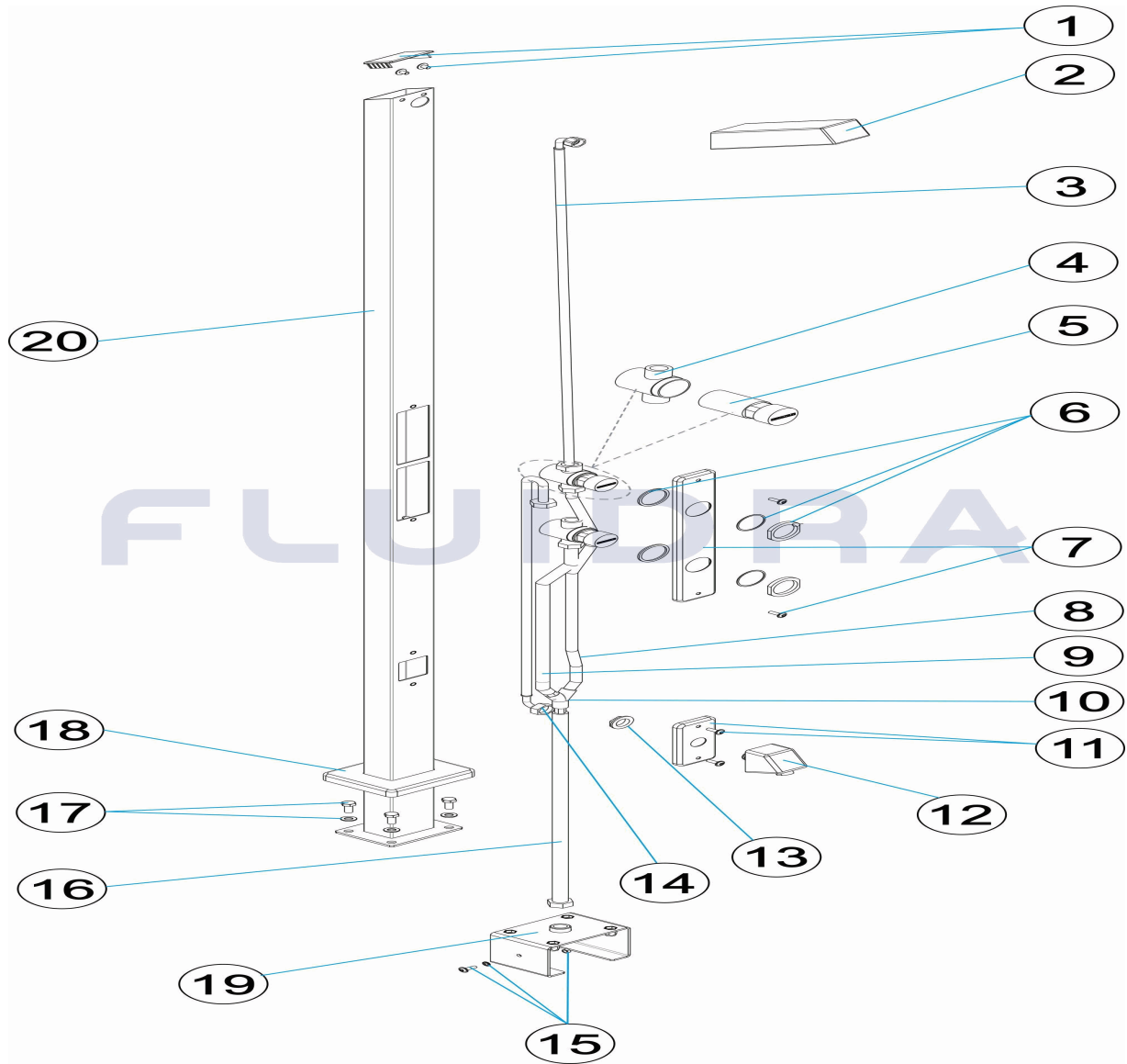


CODIGO **59777**

DESCRIPCION: **DUCHA 1 ROCIADOR 2 PULSADORES TEMPORIZ. 1 LAVAPIES**

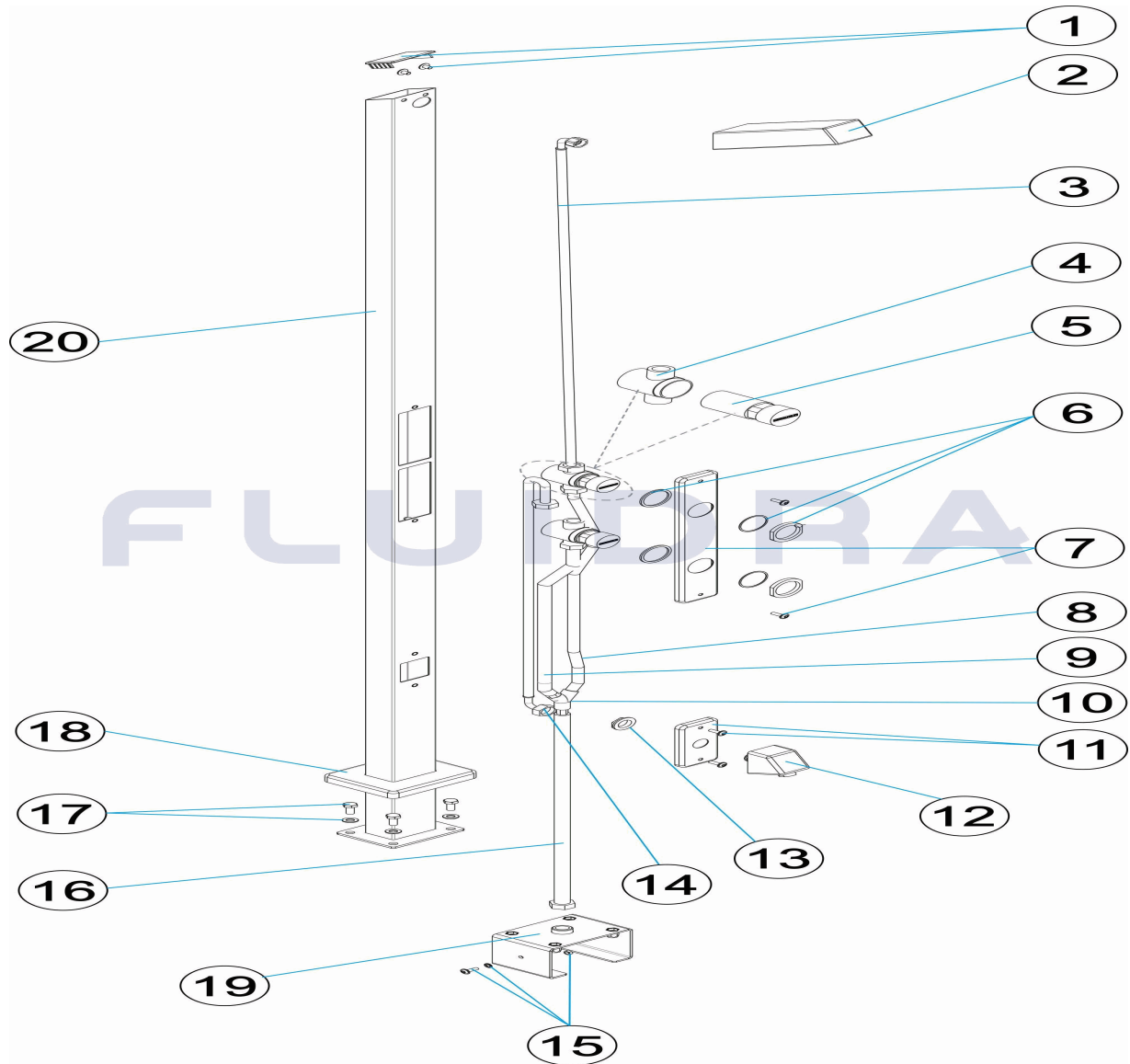


ESPAÑOL

POS	CODIGO	DESCRIPCION	CANTIDAD	POS	CODIGO	DESCRIPCION	CANTIDAD
1	4401040236	TAPON DUCHA		11	4401040250	FRONTAL LAVAPIES	
2	4401040235	ROCIADOR ABS CROMADO		12	4401040251	GRIFO LAVAPIES	
3	4401040248	LATIGUILLO 3/8" H - 1/2" H L=875"		13	4401040252	TUERCA HEXAGONAL 1/2" LATO "	
4	4401040244	CUERPO PULSADOR		14	4401040054	FLEXO SUPERIOR	
5	4401040239	PULSADOR TEMPORIZADOR		15	4402010056	TOMA TIERRA	
6	4401040238	CJTO. FIJACION CUERPO PULSADOR		16	4401040253	LATIGUILLO 1/2" H - M10 M L-510"	
7	4401040249	EMBELLECEDOR DOBLE PULSADOR		17	4401041605	TORNILLERIA ANCLAJE DUCHA	
8	4401040146	LATIGUILLO 1/2" HEMBRA +M10 MACHO L=		18	4401040242	TAPETA EMBELLECEDORA	
9	4401040097	LATIGUILLO 1/2" H LOCA M-10 M. L=400"		19	59776R0200	ANCLAJE DUCHA	
10	4401043615	CONEXIÓN "Y" M-10 HEMBR "		20	59777R0100	CUERPO DUCHA	

CODE 59777

DESCRIPTION: DOUCHE 1 POMMEAU 2 BOUTON TEMPORISÉ ET 1 LAVE-PIEDS

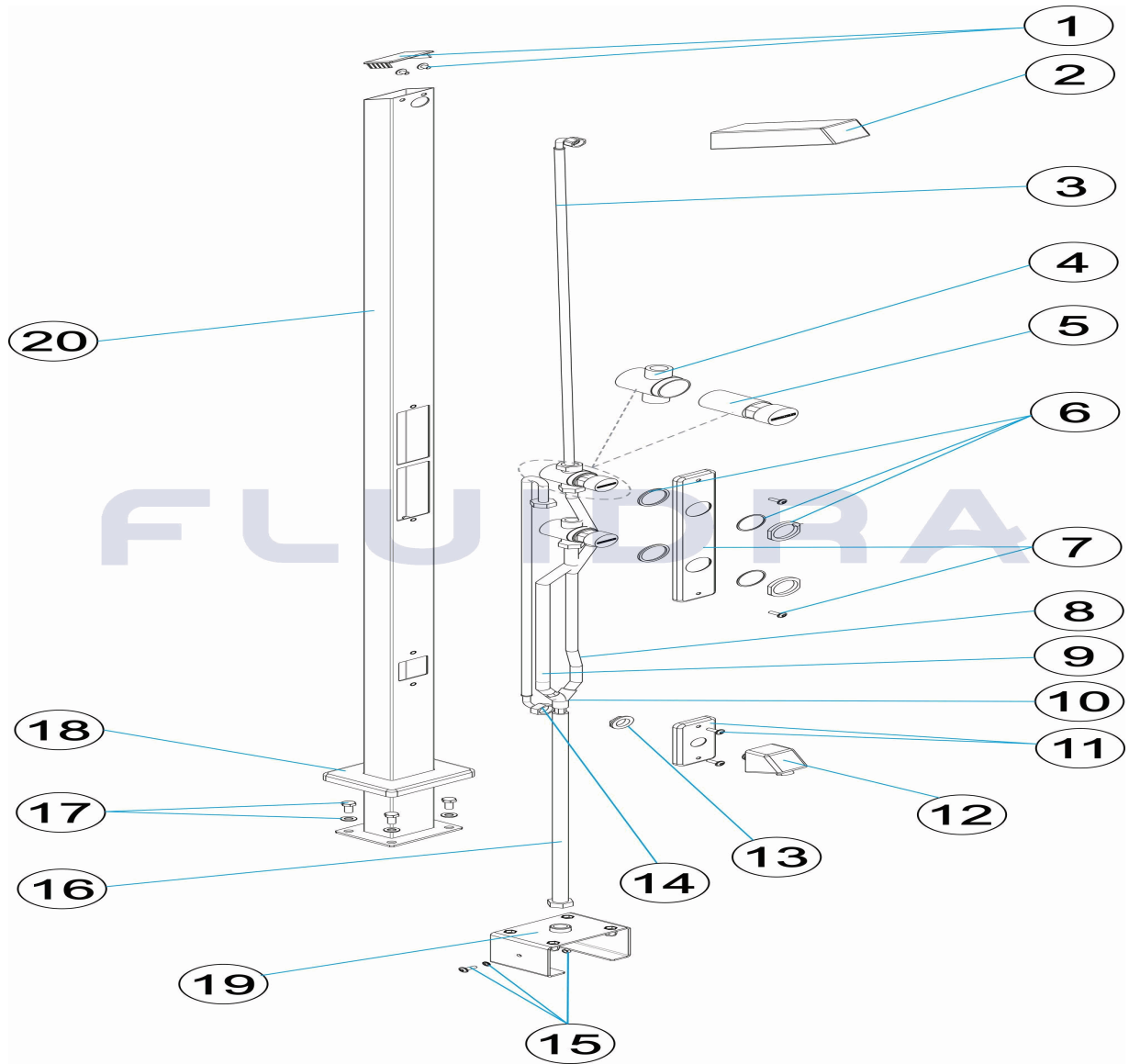


FRANCAIS

POS	CODE	DESCRIPTION	QUANTITE	POS	CODE	DESCRIPTION	QUANTITE
1	4401040236	BOUCHON DOUCHE		11	4401040250	PLAQUE FRONTALE LAVE-PIEDS	
2	4401040235	POMME DE DOUCHE ABS		12	4401040251	ROBINET RINCE PIEDS	
3	4401040248	TUYAU 3/8" H - 1/2" H L=875"		13	4401040252	ÉCROU HEXAGONAL 1/2' LAITON	
4	4401040244	CORPS BOUTON-POUSOIR		14	4401040054	FLEXIBLE	
5	4401040239	BOUTON POUSSOIR TEMPORISATEUR		15	4402010056	PRISE DE TERRE	
6	4401040238	ENSEMBLE FIXATION CORPS BOUTON-PC		16	4401040253	TUYAU 1/2" H - M10 M L=510"	
7	4401040249	ENJOLIVEUR DEUX BOUTONS		17	4401041605	VISSERIE ANCRAGE DOUCHE	
8	4401040146	TUYAU 1/2" FEMELLE + M-10 MÂLE L=550		18	4401040242	ENJOLIVEUR	
9	4401040097	FLEXIBLE 1/2" H LOCA M-10 M. L=400"		19	59776R0200	ANCRAGE DOUCHE	
10	4401043615	RACCORD "Y" M-10 FEMELL "		20	59777R0100	CORPS DOUCHE	

CODE **59777**

DESCRIPTION: **SHOWER 1 SPRINKLER 2 TIMING SWITCH AND 1 FOOT WASH**

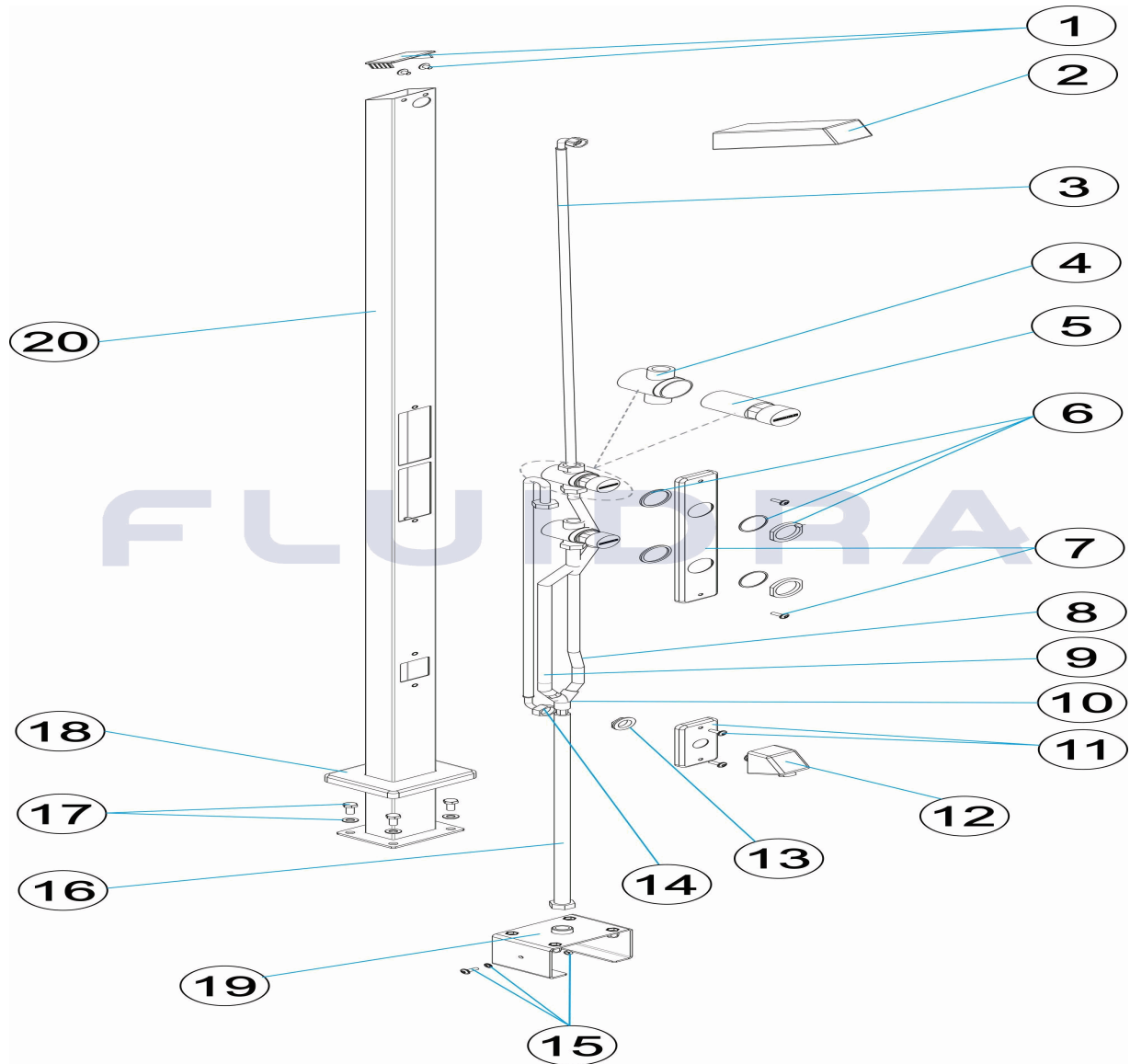


ENGLISH

POS	CODE	DESCRIPTION	QUANTITY	POS	CODE	DESCRIPTION	QUANTITY
1	4401040236	SHOWER CAP		11	4401040250	FRONT FACE PLATE FOOT WASH	
2	4401040235	SPRINKLER ABS		12	4401040251	FOOTBATH TAP	
3	4401040248	3/8" H - 1/2" H L=875 FLEX "		13	4401040252	HEXAGONAL NUT 1/2" BRAS "	
4	4401040244	SWITCH BODY		14	4401040054	BRAIDED HOSE	
5	4401040239	TIMING SWITCH		15	4402010056	EARTH CONNECTION	
6	4401040238	BUTTON BODY FIXING SET		16	4401040253	1/2" H - M10 M L-510 FLEX "	
7	4401040249	TRIM DOUBLE SWITCH		17	4401041605	SHOWER ANCHOR BOLTS	
8	4401040146	FLEXIBLE HOSE 1/2" FEMALE + M-10 MALI		18	4401040242	ESCUTCHEON	
9	4401040097	1/2" H LOCA M-10 M. L=400 CABL "		19	59776R0200	SHOWER ANCHOR	
10	4401043615	Y" CONNECTOR M-10 FEMAL "		20	59777R0100	SHOWER UNIT	

CODICE 59777

DESCRIZIONE: DOCCIA 1 SOFFIONE 2 PULSANTE TEMPORIZZATO E 1 LAVAPIEDI

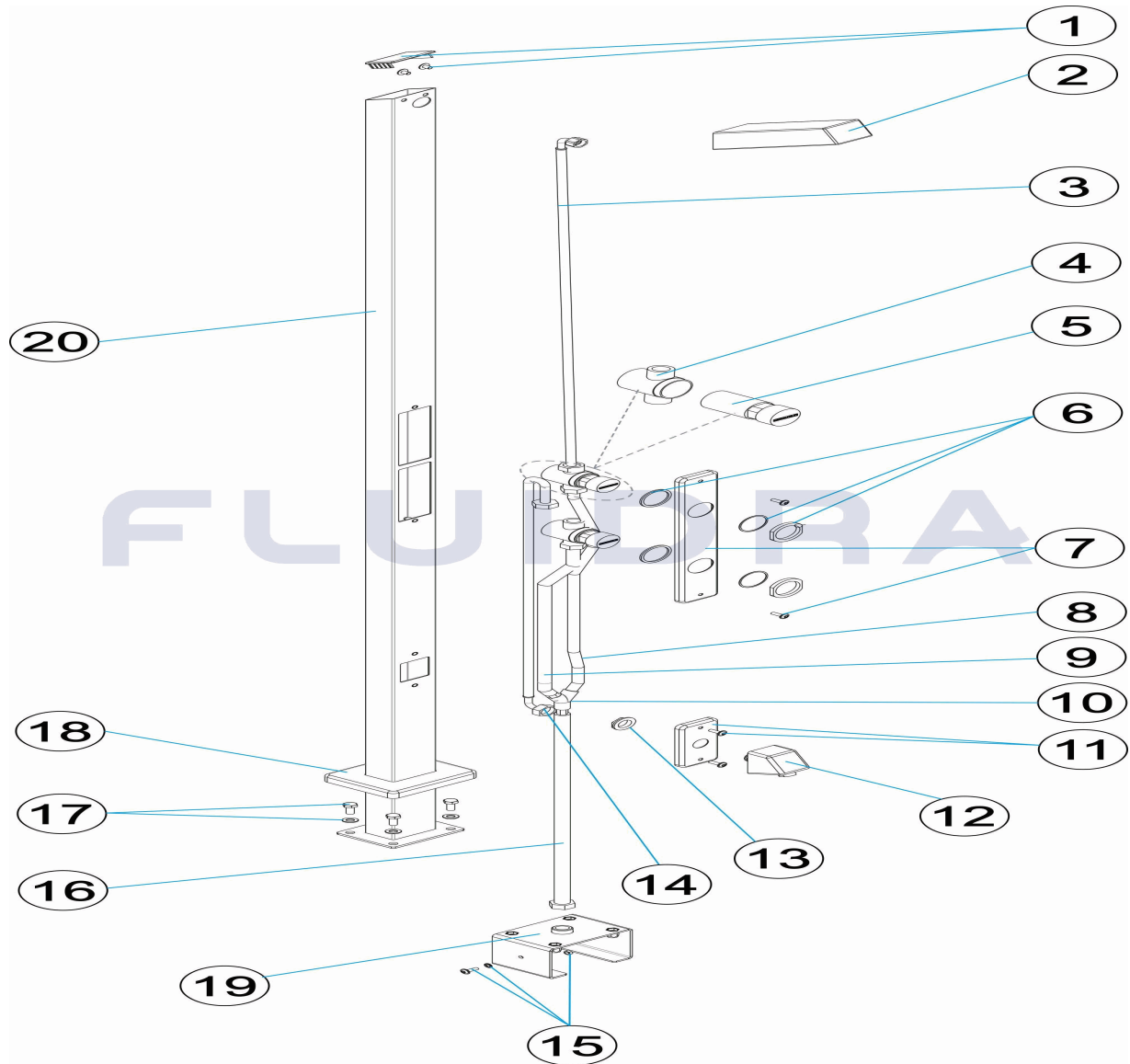


ITALIANO

POS	CODICE	DESCRIZIONE	QUANTITA'	POS	CODICE	DESCRIZIONE	QUANTITA'
1	4401040236	TAPPO DOCCIA		11	4401040250	FRONTALE LAVAPIEDI	
2	4401040235	SPRUZZATORE ABS		12	4401040251	RUBINETTO LAVAPIEDI	
3	4401040248	SPINOTTO 3/8" H - 1/2" H L=875"		13	4401040252	DADO ESAGONALE 1/2" OTTON "	
4	4401040244	CORPO PULSANTE PULSANTE		14	4401040054	FLESSIBILE	
5	4401040239	PULSANTE TEMPORIZZATO		15	4402010056	PRESA A TERRA	
6	4401040238	SET FISSAGGIO CORPO PULSANTE		16	4401040253	SPINOTTO 1/2" H - M10 M L-510"	
7	4401040249	PLACCA DOPPIO PULSANTE		17	4401041605	BULLONERIA ANCORAGGIO DOCCIA	
8	4401040146	SPINOTTO 1/2" FEMMINA + M-10 MASCHIC		18	4401040242	COPRIFLANGIA ANCORAGGIO	
9	4401040097	CAVETTO 1/2" H LOCA M-10 M. L=400"		19	59776R0200	ANCORAGGIO DOCCIA	
10	4401043615	CONNESSIONE "Y" M-10 FEMMIN "		20	59777R0100	CORPO DOCCIA	

CODE 59777

BESCHREIBUNG: DUSCHE 1 DUSCHKOPF 2 REGELDRUCKKNÖPFE 1 FUSSDUSCHE

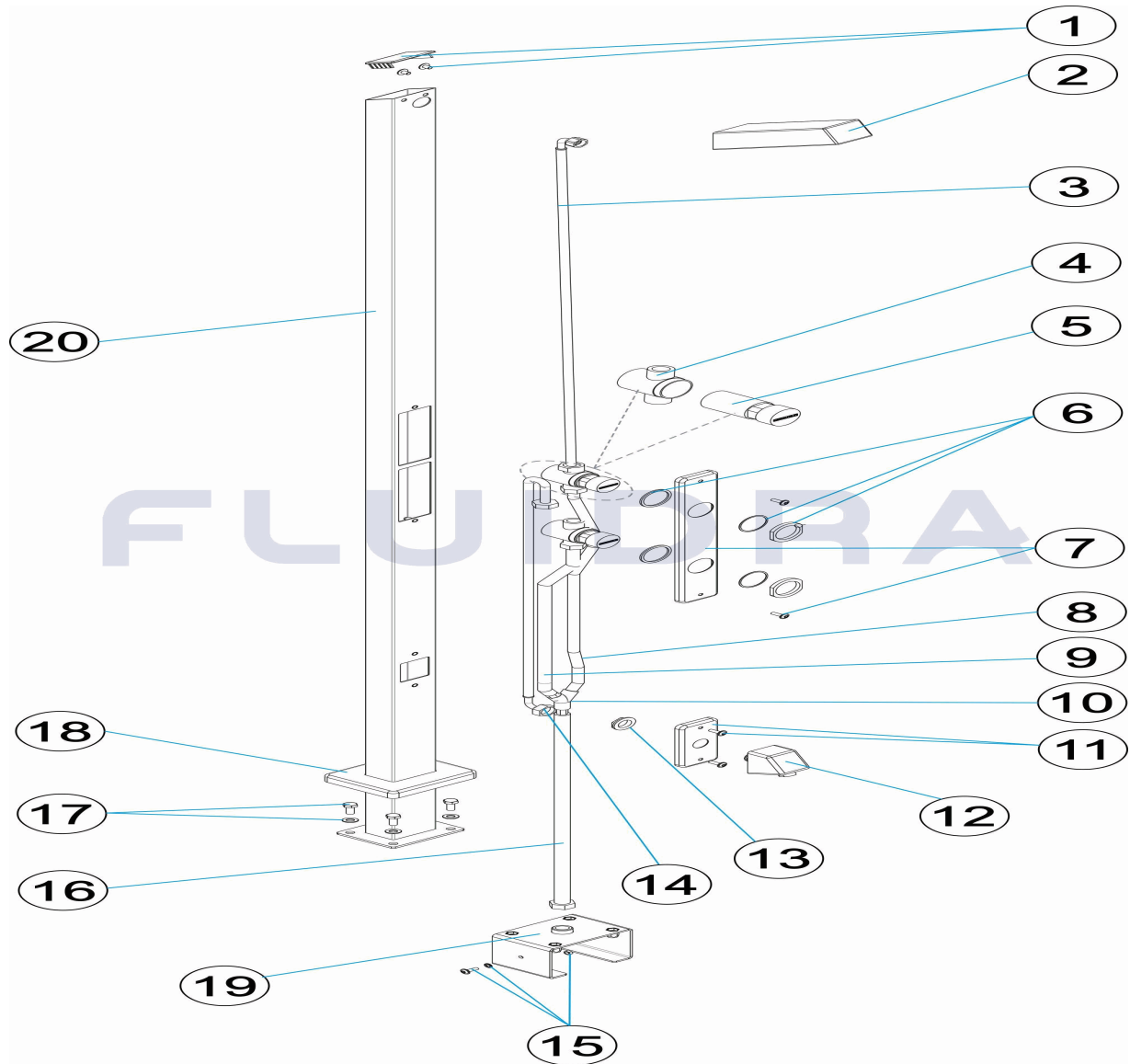


DEUTSCH

POS	CODE	BESCHREIBUNG	MENGE	POS	CODE	BESCHREIBUNG	MENGE
1	4401040236	STOPFEN DUSCHE		11	4401040250	FRONTSEITE FUSSDUSCHE	
2	4401040235	DUSCHKOPF ABS VERCHROMT		12	4401040251	WASSERHAHN FUSSDUSCHE	
3	4401040248	SCHLAUCHLEITUNG 3/8" MUFFE - 1/2" MUF		13	4401040252	SECHSKANTMUTTER 1/2" BLEC "	
4	4401040244	GEHÄUSE DRUCKTASTER		14	4401040054	FLEXSCHLAUCH OBEN	
5	4401040239	REGLERKNOPF		15	4402010056	ERDUNG	
6	4401040238	FIXIERSET DRUCKTASTERGEHÄUSE		16	4401040253	SCHLAUCHLEITUNG 1/2" MUFFE - M-10 NIP	
7	4401040249	BLENDE DOPPELT DRUCKTASTER		17	4401041605	SCHRAUBENSATZ DUSCHVERANKERUNG	
8	4401040146	SCHLAUCHLEITUNG 1/2" MUFFE UND M10		18	4401040242	DEKO-ABSCHLUSSRING	
9	4401040097	SCHLAUCHLEITUNG 1/2" GEWINDEKÖRPE		19	59776R0200	DUSCHVERANKERUNG	
10	4401043615	ANSCHLUSSMUFFE "Y" M-10"		20	59777R0100	DUSCHEINHEIT	

CODIGO **59777**

DESCRIÇÃO: **DUCHE 1 DIFUSOR 2 BOTÃO TEMPORIZADO E 1 LAVA-PÉS**



PORTUGUES

POS	CODIGO	DESCRIÇÃO	JANTIDADE	POS	CODIGO	DESCRIÇÃO	JANTIDADE
1	4401040236	TAMPAÓ DUCHE		11	4401040250	FRONTAL LAVA-PÉS	
2	4401040235	DIFUSOR ABS		12	4401040251	TORNEIRA LAVA-PÉS	
3	4401040248	MANGA 3/8" H - 1/2" H L=875"		13	4401040252	PORCA HEXAGONAL 1/2" LATÁ "	
4	4401040244	CORPO BOTÃO		14	4401040054	FLEXO	
5	4401040239	BOTÃO TEMPORIZADO		15	4402010056	LIGAÇÃO A TERRA	
6	4401040238	CJTO. FIXAÇÃO CORPO BOTÃO		16	4401040253	MANGA 1/2" H - M10 M L=510"	
7	4401040249	PLACA DECORATIVA BOTÃO DUPLO		17	4401041605	PARAFUSOS ANCORAGEM CHUVEIRO	
8	4401040146	MANGA 1/2" FÊMEA + M-10 MACHO L=550		18	4401040242	ESPELHO	
9	4401040097	MANGA 1/2" H LOCA M-10 M. L=400"		19	59776R0200	ÂNCORA PARA CHUVEIRO	
10	4401043615	LIGAÇÃO "Y" M-10 FÊME "		20	59777R0100	CORPO DE CHUVEIRO	