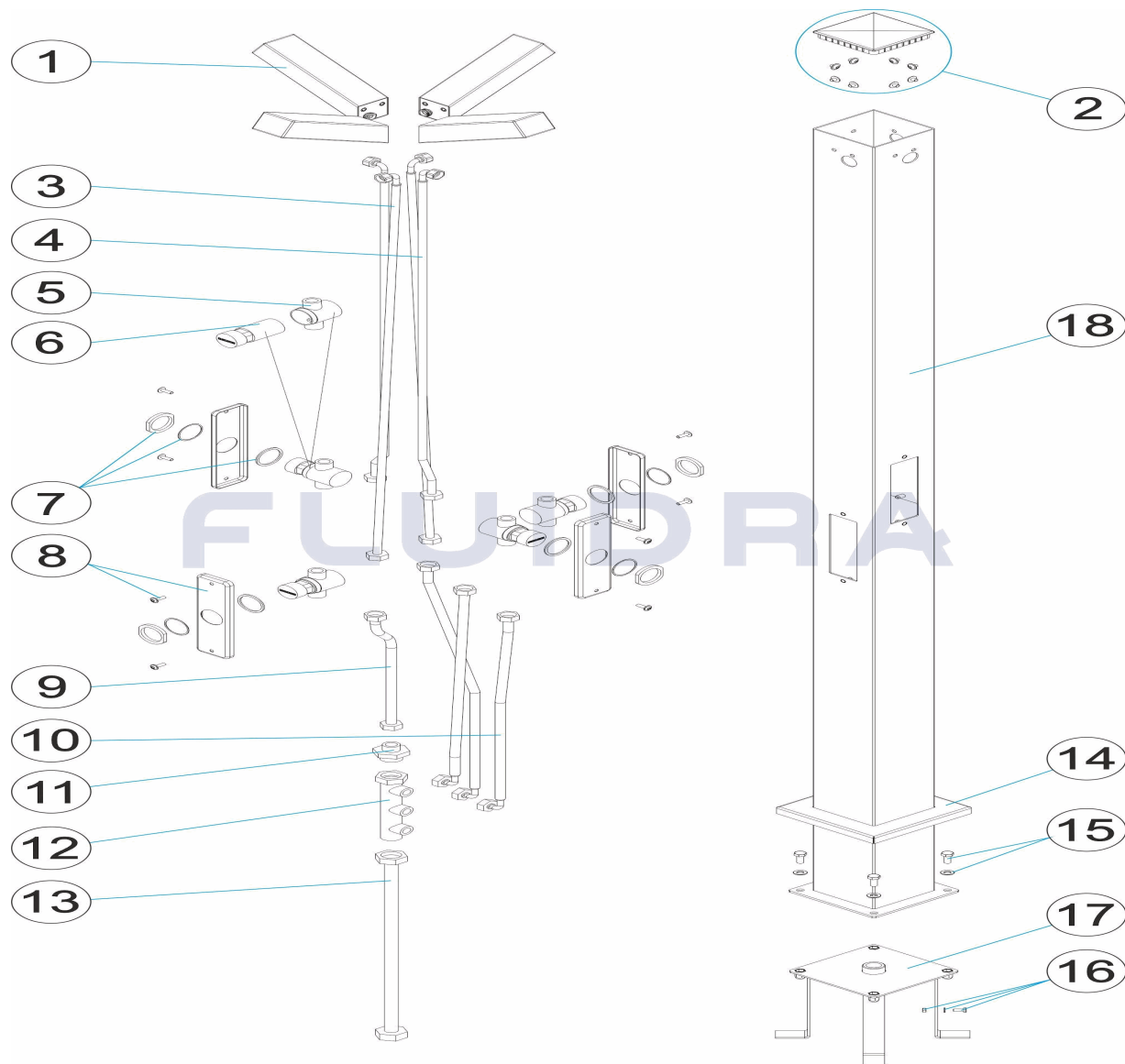


CODIGO **59779**

DESCRIPCION: **DUCHA 4 ROCIADORES 4 PULSADORES TEMPORIZADOS**

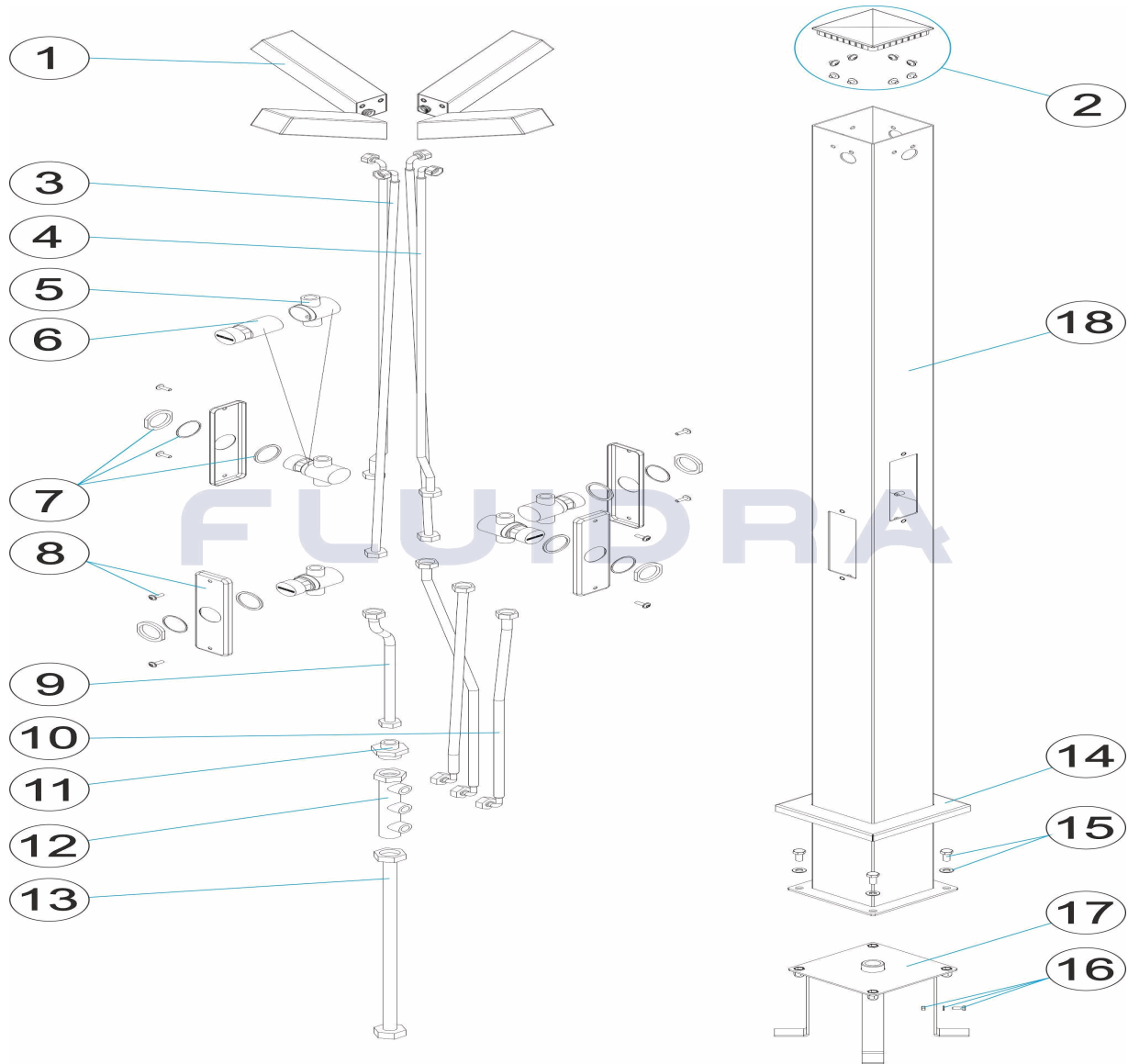


ESPAÑOL

POS	CODIGO	DESCRIPCION	CANTIDAD	POS	CODIGO	DESCRIPCION	CANTIDAD
1	4401040235	ROCIADOR ABS CROMADO	10	4401040258	LATIGUILLO 1/2" H - 1/2" H L=600"		
2	4401040256	TAPON DUCHA	11	4401040259	REDUCCION 3/4" M - 1/2" M LATO "		
3	4401040255	LATIGUILLO 3/8" H - 1/2" H L=1025"	12	4401040260	COLECTOR 3/4" - 3 SALIDAS 1/2" "		
4	4401040248	LATIGUILLO 3/8" H - 1/2" H L=875"	13	4401040261	LATIGUILLO 3/4" H - 3/4" H DN13 L=450"		
5	4401040244	CUERPO PULSADOR	14	4401040262	TAPETA EMBELLECEDORA		
6	4401040239	PULSADOR TEMPORIZADOR	15	4401041307	TORNILLERIA ANCLAJE DUCHA		
7	4401040238	CJTO. FIJACION CUERPO PULSADOR	16	4402010056	TOMA TIERRA		
8	4401040240	FRONTAL PULSADOR	17	59779R0200	ANCLAJE DUCHA		
9	4401040257	LATIGUILLO 1/2" H - 1/2" H L=400"	18	59779R0100	CUERPO DUCHA		

CODE 59779

DESCRIPTION: DOUCHE 4 POMMEAU 4 BOUTON TEMPORISÉ

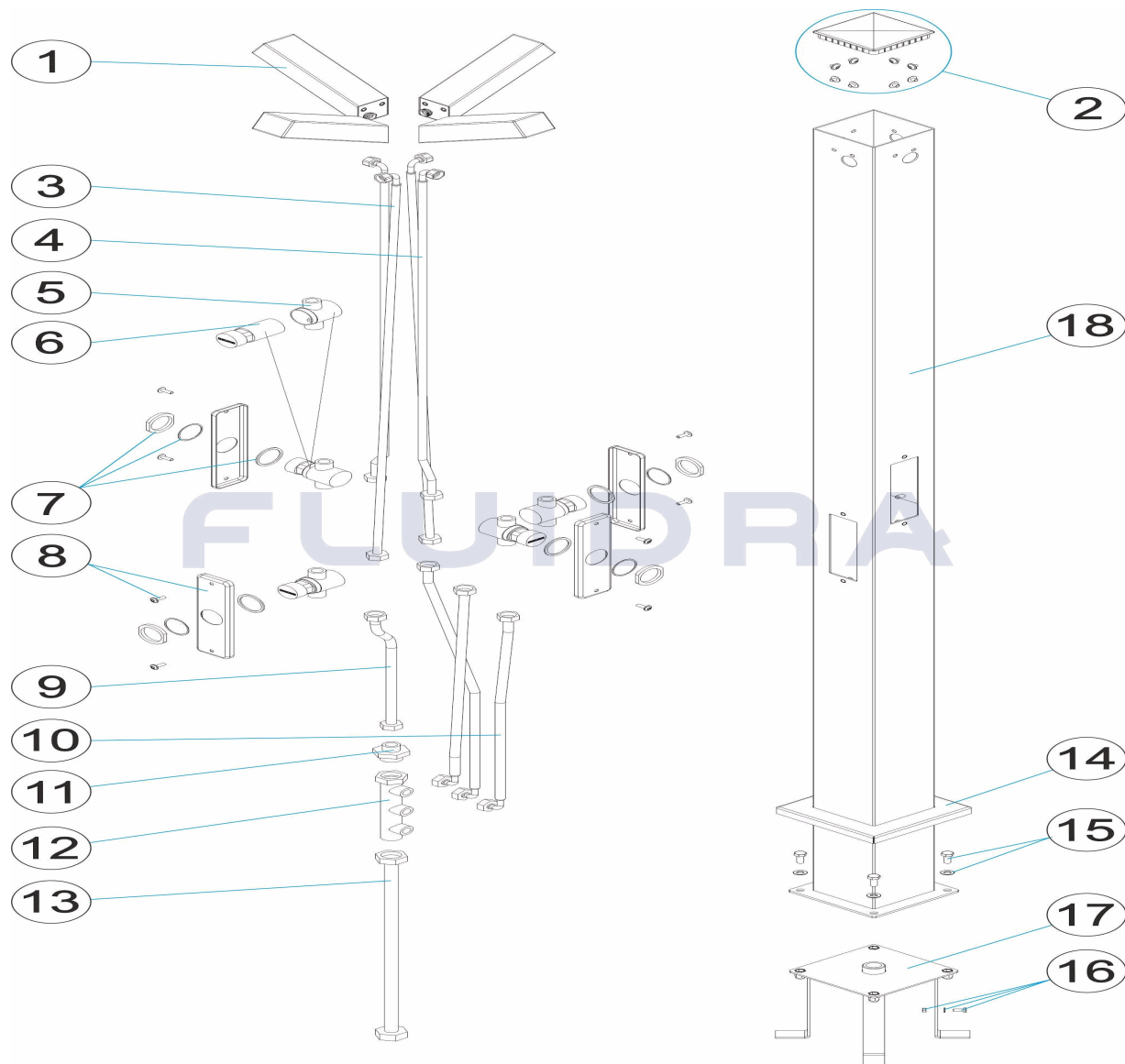


FRANCAIS

POS	CODE	DESCRIPTION	QUANTITE	POS	CODE	DESCRIPTION	QUANTITE
1	4401040235	POMME DE DOUCHE ABS		10	4401040258	TUYAU 1/2" H - 1/2" H L=600"	
2	4401040256	BOUCHON DOUCHE		11	4401040259	RÉDUCTION 3/4" M - 1/2" M LAITO "	
3	4401040255	TUYAU 3/8" H - 1/2" H L=1025"		12	4401040260	COLLECTEUR 3/4" - 3 SORTIES 1/2" "	
4	4401040248	TUYAU 3/8" H - 1/2" H L=875"		13	4401040261	TUYAU 3/4" H - 3/4" H DN13 L=450"	
5	4401040244	CORPS BOUTON-POUSOIR		14	4401040262	ENJOLIVEUR	
6	4401040239	BOUTON POUSSOIR TEMPORISATEUR		15	4401041307	VISSERIE ANCRAGE DOUCHE	
7	4401040238	ENSEMBLE FIXATION CORPS BOUTON-PC		16	4402010056	PRISE DE TERRE	
8	4401040240	FRONTAL BOUTON-POUSOIR		17	59779R0200	ANCRAGE DOUCHE	
9	4401040257	TUYAU 1/2" H - 1/2" H L=400"		18	59779R0100	CORPS DOUCHE	

CODE **59779**

DESCRIPTION: **SHOWER 4 SPRINKLER 4 TIMING SWITCH**

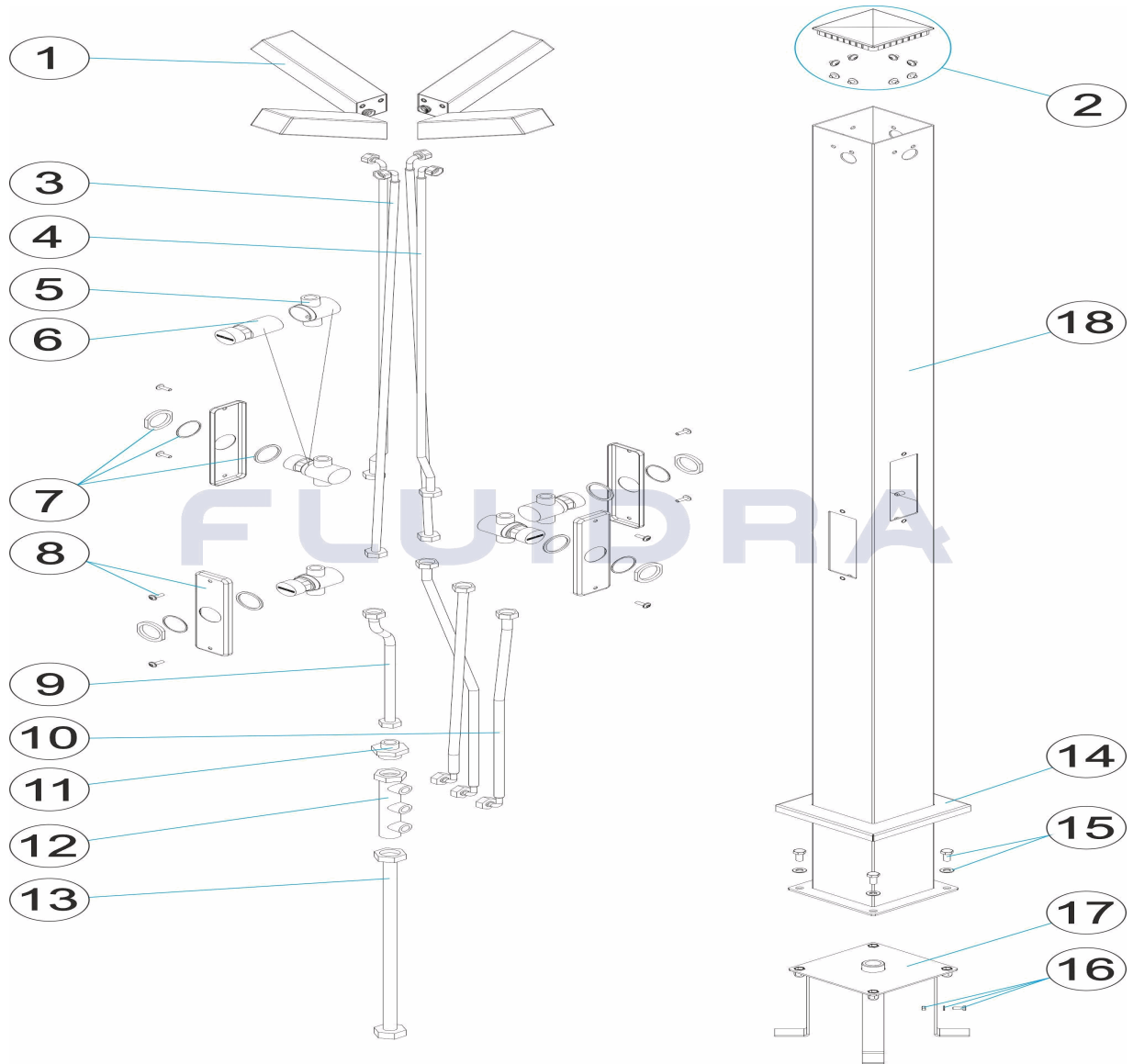


ENGLISH

POS	CODE	DESCRIPTION	QUANTITY	POS	CODE	DESCRIPTION	QUANTITY
1	4401040235	SPRINKLER ABS		10	4401040258	1/2" H - 1/2" H L=600 FLEX "	
2	4401040256	SHOWER CAP		11	4401040259	REDUCING NUT 3/4" M - 1/2" M BRAS "	
3	4401040255	3/8" H - 1/2" H L=1025 FLEX "		12	4401040260	COLLECTOR 3/4" - 3 OUTLETS 1/2" "	
4	4401040248	3/8" H - 1/2" H L=875 FLEX "		13	4401040261	3/4" H - 3/4" H DN13 L-450 FLEX "	
5	4401040244	SWITCH BODY		14	4401040262	ESCUTCHEON	
6	4401040239	TIMING SWITCH		15	4401041307	SHOWER ANCHOR BOLTS	
7	4401040238	BUTTON BODY FIXING SET		16	4402010056	EARTH CONNECTION	
8	4401040240	BUTTON FRONT		17	59779R0200	SHOWER ANCHOR	
9	4401040257	1/2" H - 1/2" H L=400 FLEX "		18	59779R0100	SHOWER UNIT	

CODICE 59779

DESCRIZIONE: DOCCIA 4 SOFFIONE 4 PULSANTE TEMPORIZZATO

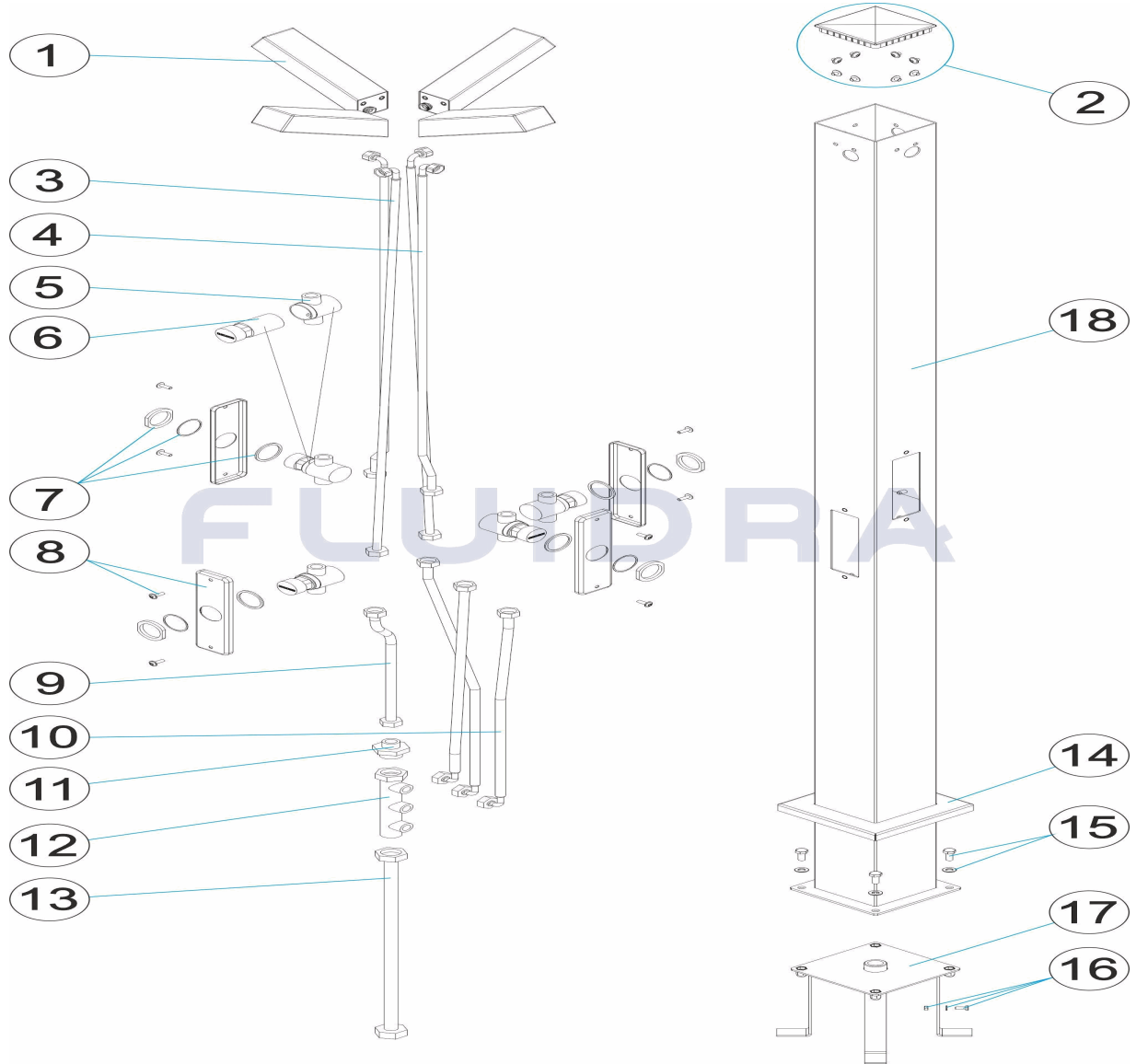


ITALIANO

POS	CODICE	DESCRIZIONE	QUANTITA'	POS	CODICE	DESCRIZIONE	QUANTITA'
1	4401040235	SPRUZZATORE ABS		10	4401040258	SPINOTTO 1/2" H - 1/2" H L=600"	
2	4401040256	TAPPO DOCCIA		11	4401040259	RIDUZIONE 3/4" M - 1/2" M OTTON "	
3	4401040255	SPINOTTO 3/8" H - 1/2" H L=1025"		12	4401040260	COLLETTORE 3/4" - 3 USCITE 1/2" "	
4	4401040248	SPINOTTO 3/8" H - 1/2" H L=875"		13	4401040261	SPINOTTO 3/4" H - 3/4" H DN13 L=450"	
5	4401040244	CORPO PULSANTE PULSANTE		14	4401040262	COPRIFLANGIA ANCORAGGIO	
6	4401040239	PULSANTE TEMPORIZZATO		15	4401041307	BULLONERIA ANCORAGGIO DOCCIA	
7	4401040238	SET FISSAGGIO CORPO PULSANTE		16	4402010056	PRESA A TERRA	
8	4401040240	FRONTALE PULSANTE		17	59779R0200	ANCORAGGIO DOCCIA	
9	4401040257	SPINOTTO 1/2" H - 1/2" H L=400"		18	59779R0100	CORPO DOCCIA	

CODE **59779**

BESCHREIBUNG: **DUSCHE 4 DUSCHKÖPFE 4 REGELDRUCKKNÖPFE**

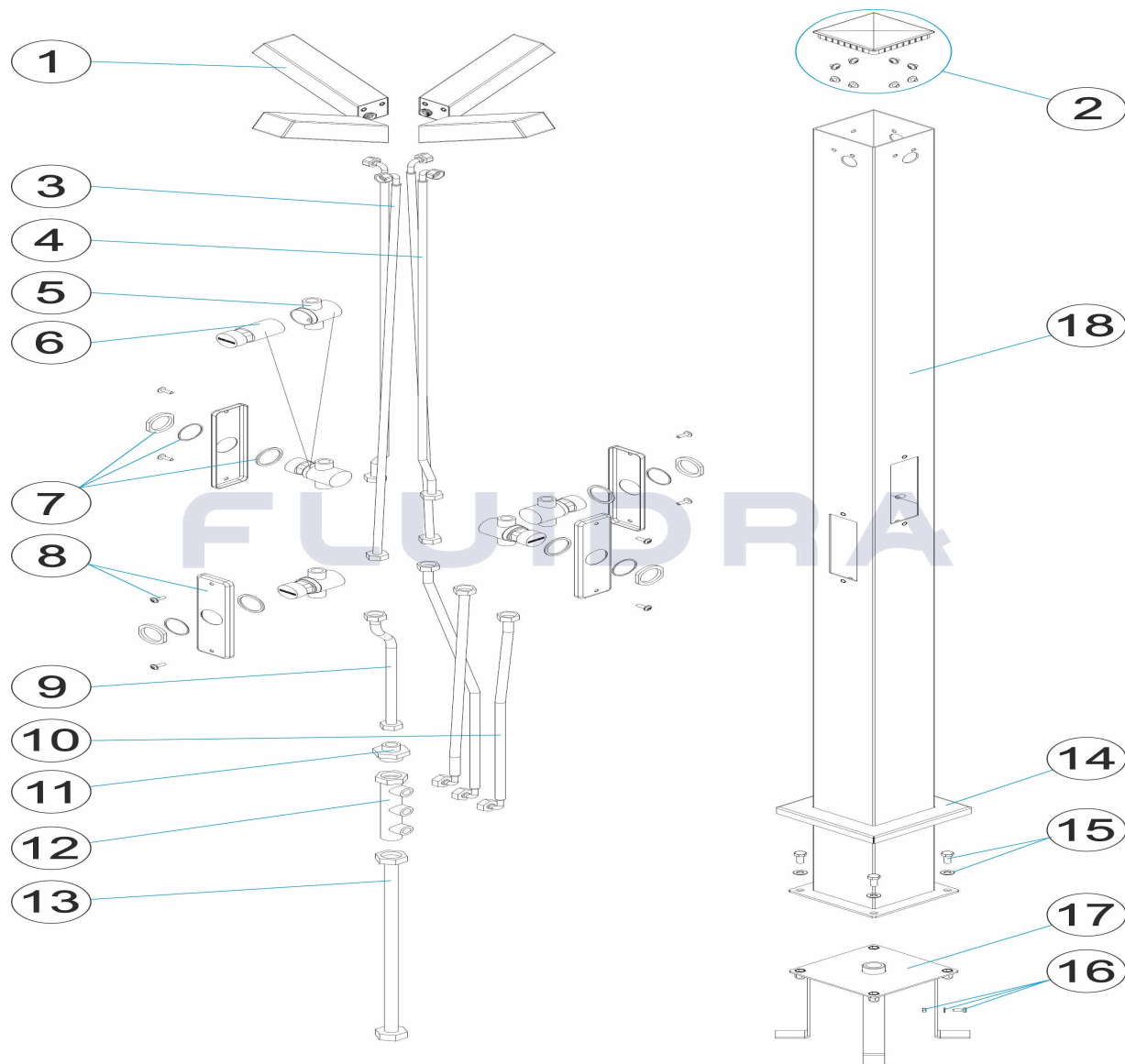


DEUTSCH

POS	CODE	BESCHREIBUNG	MENGE	POS	CODE	BESCHREIBUNG	MENGE
1	4401040235	DUSCHKOPF ABS VERCHROMT	10	4401040258	SCHLAUCHLEITUNG 1/2" MUFFE - 1/2" MUF		
2	4401040256	STOPFEN DUSCHE	11	4401040259	REDUZIERSTÜCK 3/4" M - 1/2" M BLEC "		
3	4401040255	SCHLAUCHLEITUNG 3/8" MUFFE - 1/2" MUF	12	4401040260	SAMMELROHR 3/4" - 3 AUSGÄNGE 1/2" NIP		
4	4401040248	SCHLAUCHLEITUNG 3/8" MUFFE - 1/2" MUF	13	4401040261	SCHLAUCHLEITUNG 3/4" MUFFE - 3/4" MUF		
5	4401040244	GEHÄUSE DRUCKTASTER	14	4401040262	DEKO-ABSCHLUSSRING		
6	4401040239	REGLERKNOPF	15	4401041307	SCHRAUBENSATZ DUSCHVERANKERUNG		
7	4401040238	FIXIERSET DRUCKTASTERGEHÄUSE	16	4402010056	ERDUNG		
8	4401040240	STIRN DRUCKTASTER	17	59779R0200	DUSCHVERANKERUNG		
9	4401040257	SCHLAUCHLEITUNG 1/2" MUFFE - 1/2" MUF	18	59779R0100	DUSCHHEINHEIT		

CODIGO **59779**

DESCRIÇÃO: **DUCHE 4 DIFUSOR E 4 BOTÃO TEMPORIZADO**



PORTUGUES

POS	CODIGO	DESCRIÇÃO	JANTIDADE	POS	CODIGO	DESCRIÇÃO	JANTIDADE
1	4401040235	DIFUSOR ABS	10	4401040258	MANGA 1/2" H - 1/2" H L=600"		
2	4401040256	TAMPAÔ DUCHE	11	4401040259	REDUÇÃO 3/4" M - 1/2" M LATÃ "		
3	4401040255	MANGA 3/8" H - 1/2" H L=1025"	12	4401040260	COLETOR 3/4" - 3 SAÍDAS 1/2" "		
4	4401040248	MANGA 3/8" H - 1/2" H L=875"	13	4401040261	MANGA 3/4" H - 3/4" H DN13 L=450"		
5	4401040244	CORPO BOTÃO	14	4401040262	ESPELHO		
6	4401040239	BOTÃO TEMPORIZADO	15	4401041307	PARAFUSOS ANCORAGEM CHUVEIRO		
7	4401040238	CJTO. FIXAÇÃO CORPO BOTÃO	16	4402010056	LIGAÇÃO A TERRA		
8	4401040240	FRONTAL BOTÃO	17	59779R0200	ÂNCORA PARA CHUVEIRO		
9	4401040257	MANGA 1/2" H - 1/2" H L=400"	18	59779R0100	CORPO DE CHUVEIRO		