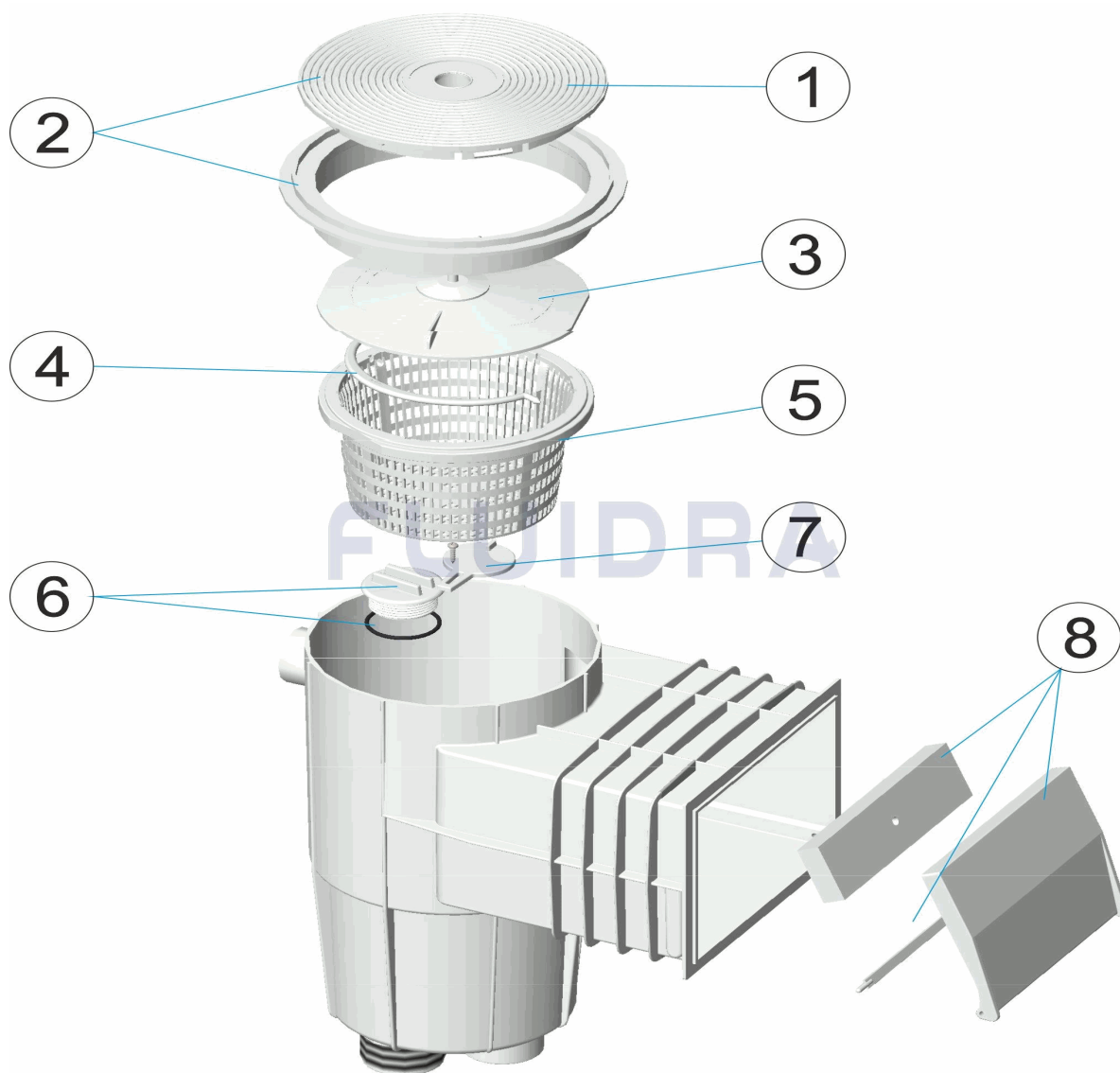


CODIGO **07455**

DESCRIPCION: **SKIMMER 15L BOCA STD. NPT**

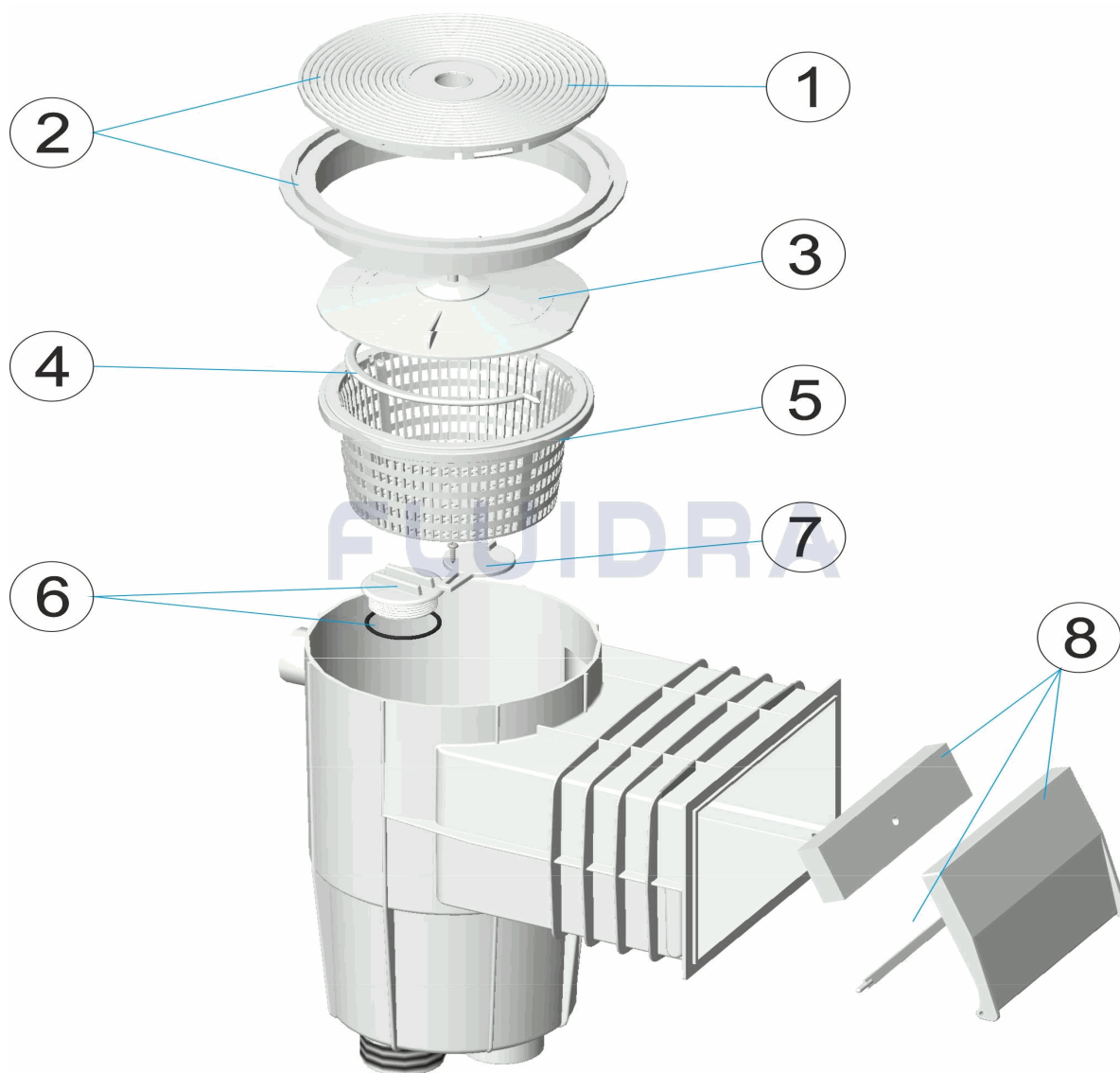


**ESPAÑOL**

POS	CODIGO	DESCRIPCION	CANTIDAD	POS	CODIGO	DESCRIPCION	CANTIDAD
1	4402010108	TAPA CIRCULAR SKIMMER	5	4402010103	CESTO SKIMMER		
2	4402010105	TAPA Y ARO CIRCULAR SKIMMER	6	4402020102	CJTO. TAPON SUMIDERO 1½" BS "		
3	4402010104	TAPA CESTO SKIMMER CON TAPON	7	4402010102	CLAPETA SKIMMER		
4	4402010111	ASA CESTO SKIMMER	8	4402010101	COMPUERTA SKIMMER BISAGRA		

CODE **07455**

DESCRIPTION: **SKIMMER 15L PH B. STD. C. CIRC.**

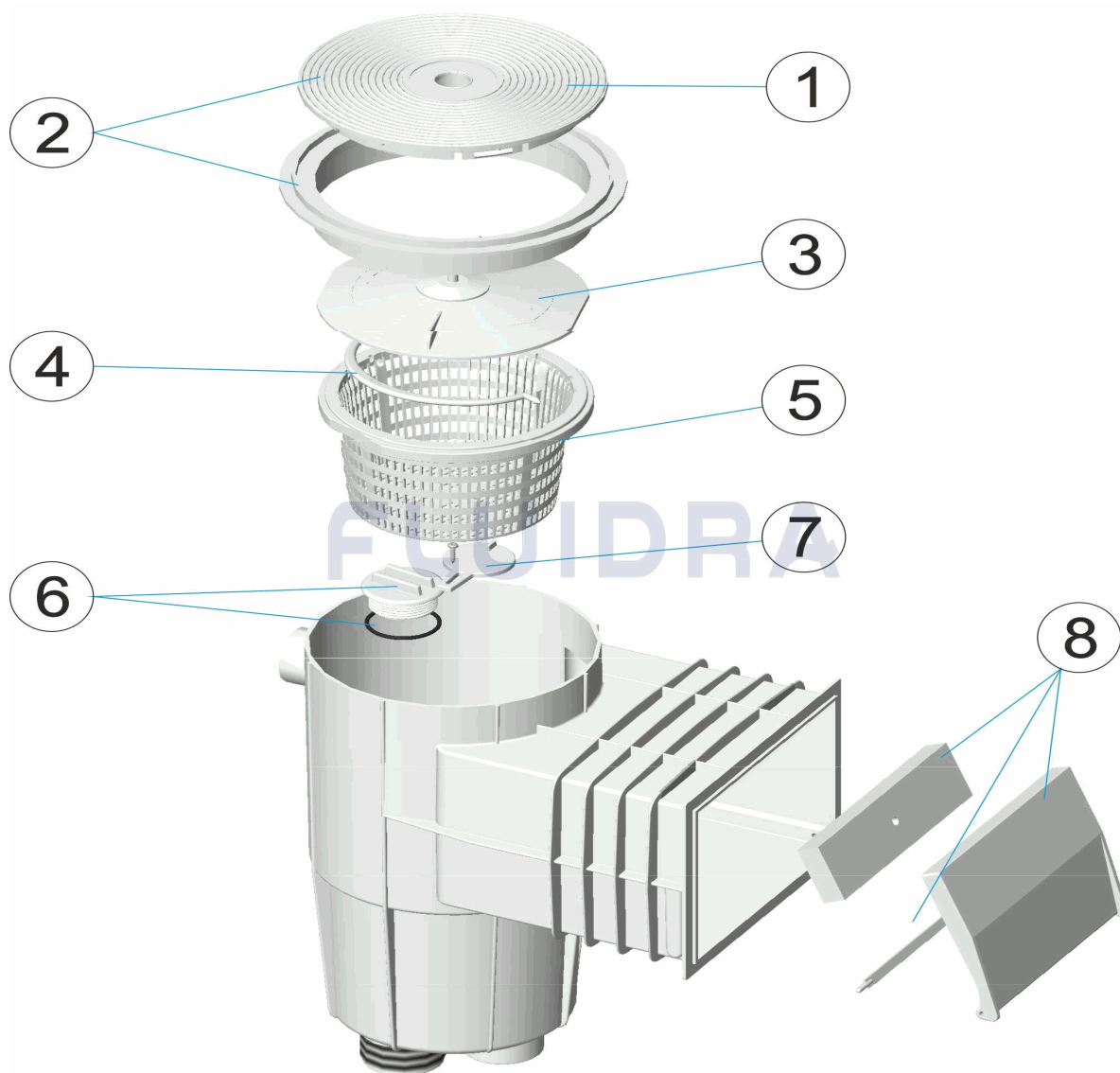


**FRANCAIS**

POS	CODE	DESCRIPTION	QUANTITE	POS	CODE	DESCRIPTION	QUANTITE
1	4402010108	COUVERCLE ROND SKIMMER	5	4402010103	PANIER SKIMMER		
2	4402010105	COUVERCLE ET CADRE ROND SKIMMER	6	4402020102	ENSEMBLE BOUCHON SKIMMER 1" 1/2 BS		
3	4402010104	COUVERCLE PANIER SKIMMER AVEC BOU	7	4402010102	CLAPET SKIMMER		
4	4402010111	ANSE PANIER SKIMMER	8	4402010101	VOLET ET CHARNIERE SKIMMER		

CODE **07455**

DESCRIPTION: **SKIMMER 15L PH B. STD. T. CIRC.**

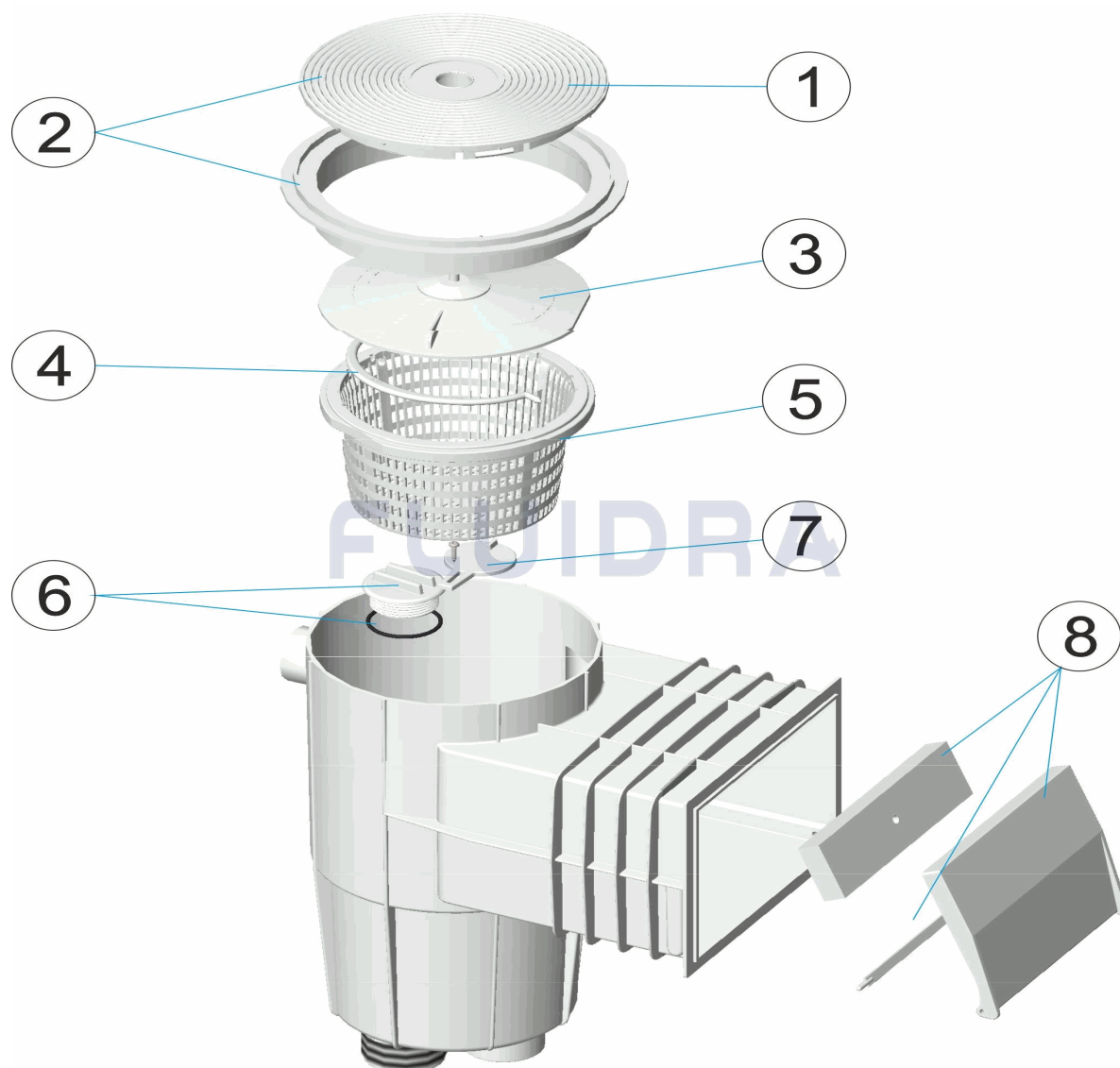


**ENGLISH**

POS	CODE	DESCRIPTION	QUANTITY	POS	CODE	DESCRIPTION	QUANTITY
1	4402010108	CIRCULAR SKIMMER LID		5	4402010103	SKIMMER BASKET	
2	4402010105	CIRCULAR LID AND LID FRAME		6	4402020102	DRAIN CAP SET 1 1/2"	
3	4402010104	VACUUM PLATE WITH PLUG		7	4402010102	KEYHOLE FLAP	
4	4402010111	SKIMMER BASKET HANDLE		8	4402010101	FLAP RETAINING CLIP	

CODICE **07455**

DESCRIZIONE: **SKIMMER 15L PH B. STD. T. CIRC.**

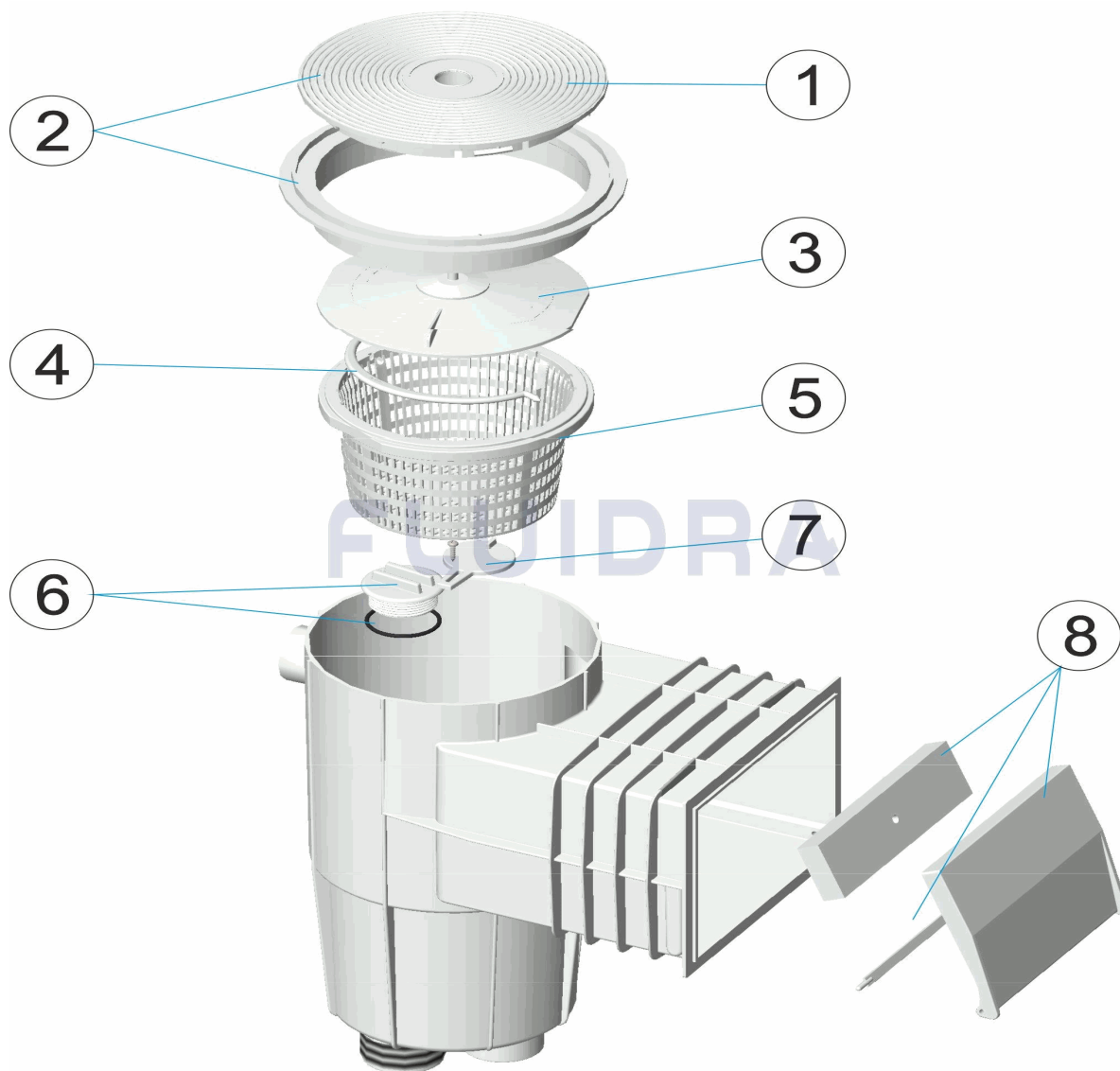


**ITALIANO**

POS	CODICE	DESCRIZIONE	QUANTITA'	POS	CODICE	DESCRIZIONE	QUANTITA'
1	4402010108	COPERCHIO TONDO SKIMMER	5	4402010103	CESTELLO SKIMMER		
2	4402010105	COPERCHIO E CORNICE TONDA SKIMMER	6	4402020102	KIT TAPPO SCARICO 1" 1/2"		
3	4402010104	COPERCHIO CESTELLO SKIMMER CON TA	7	4402010102	ALETTA PARZIALIZZATRICE SKIMMER		
4	4402010111	MANIGLIA PANIER SKIMMER	8	4402010101	BATTENTE SKIMMER CON PERNO		

CODE **07455**

BESCHREIBUNG: **SKIMMER 15L EINLASS STANDARD NPT**

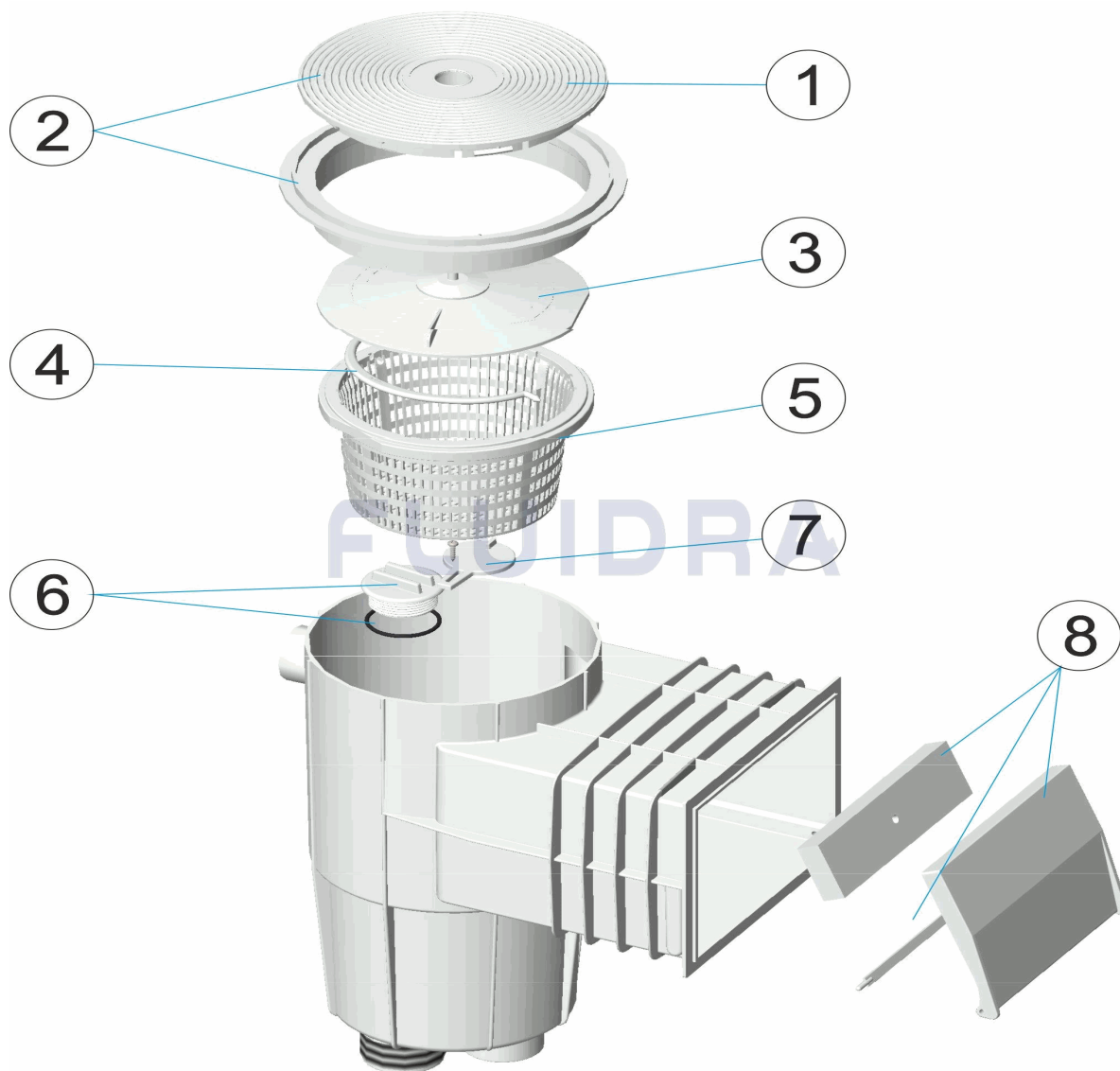


**DEUTSCH**

POS	CODE	BESCHREIBUNG	MENGE	POS	CODE	BESCHREIBUNG	MENGE
1	4402010108	ABDECKUNG RUND SKIMMER	5	4402010103	SKIMMERKORB		
2	4402010105	ABDECKUNG UND RING SKIMMER RUND	6	4402020102	STOPFENSET ABFLUSS 11/2" BS "		
3	4402010104	ABDECKUNG SKIMMKORB MIT STOPFEN	7	4402010102	ABDECKKAPPE		
4	4402010111	GRIFF SKIMMKORB	8	4402010101	SKIMMERKLAPPE SCHARNIER		

CODIGO **07455**

DESCRIÇÃO: **SKIMMER 15 L PH B. STD. T. CIRC.**



**PORTUGUES**

POS	CODIGO	DESCRIÇÃO	JANTIDADE	POS	CODIGO	DESCRIÇÃO	JANTIDADE
1	4402010108	TAMPA CIRCULAR SKIMMER	5	4402010103	CESTO SKIMMER		
2	4402010105	TAMPA E ARO CIRCULAR SKIMMER	6	4402020102	CONJUNTO TAMPÃO RALO DE FUNDO 1 1/2		
3	4402010104	TAMPA CESTO SKIMMER	7	4402010102	CLAPETA SKIMMER		
4	4402010111	ALSA CESTA SKIMMER	8	4402010101	COMPORTA SKIMMER BISAGRA		